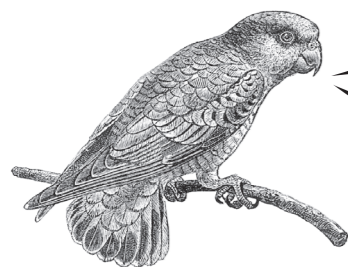
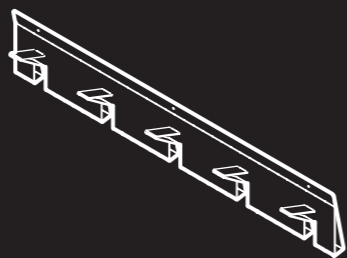


BLU  
DOT

# 2d3d COAT RACK

## ASSEMBLY NOTES

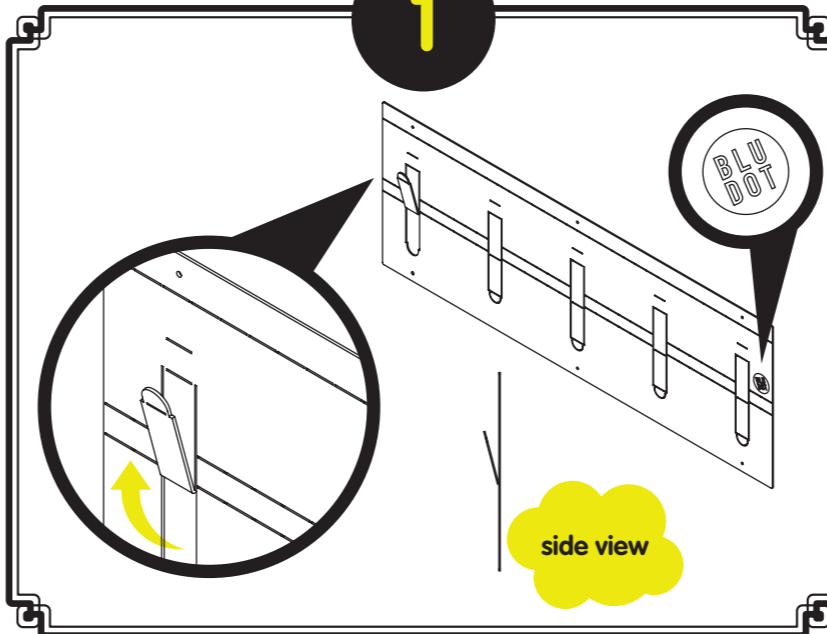
FROM FLAT  
TO FABULOUS  
IN NO TIME



### CARE

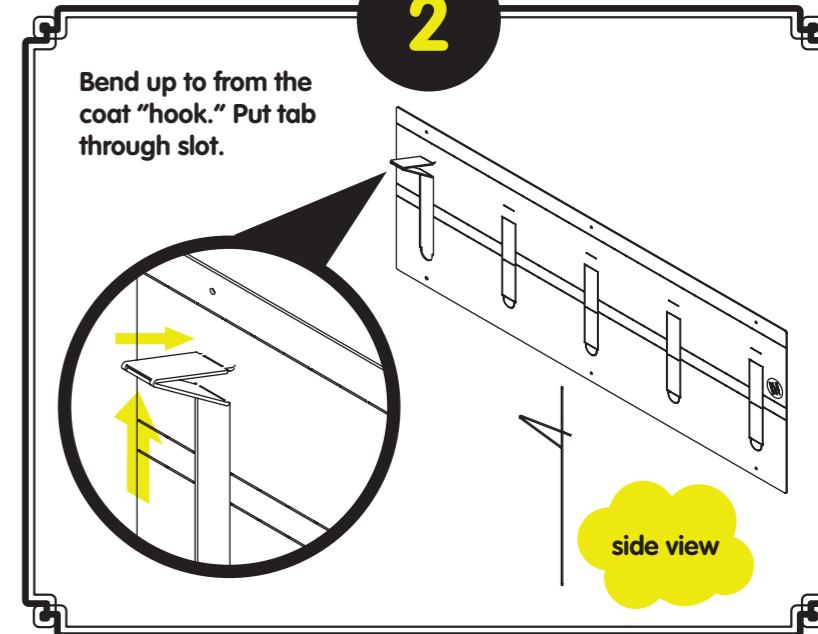
Clean with a soft cloth or sponge using a mild detergent, such as dish soap, and warm water. Wipe completely dry with a soft cloth.

1



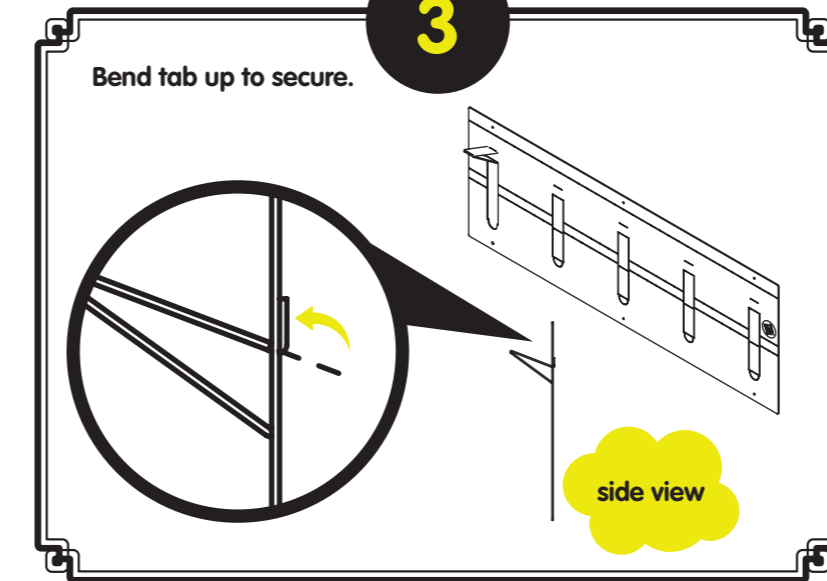
side view

2



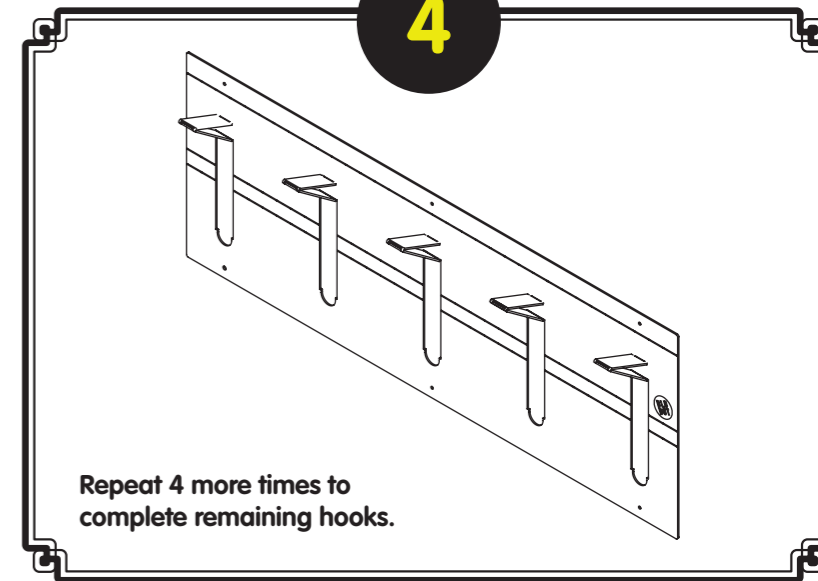
side view

3



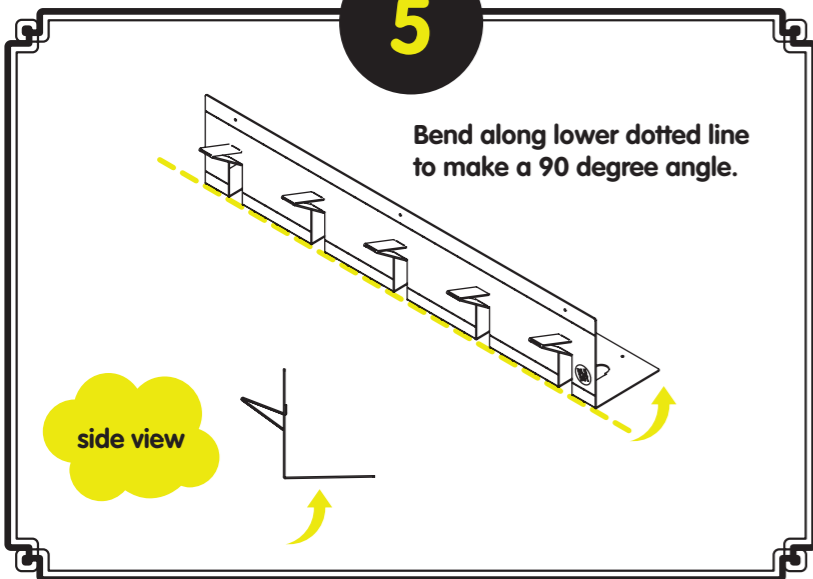
side view

4



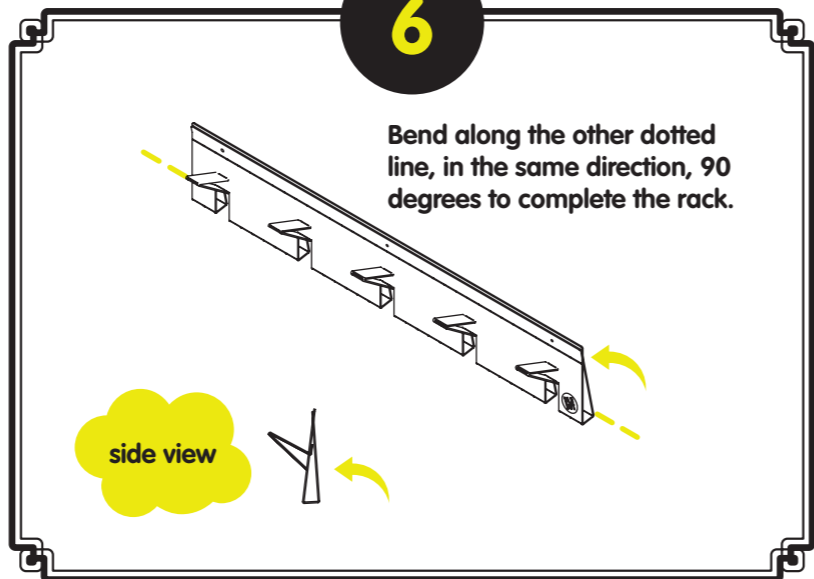
Repeat 4 more times to complete remaining hooks.

5



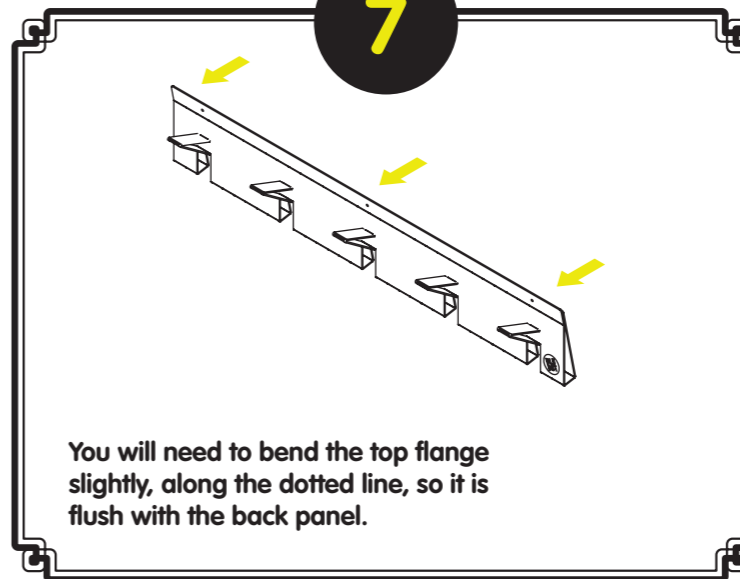
side view

6



side view

7



You will need to bend the top flange slightly, along the dotted line, so it is flush with the back panel.

### MOUNTING YOUR COAT RACK TO THE WALL

Position the rack where you'd like it to be and mark the center screw holes with a pencil (it is best if this is lined up with a stud in the wall). Drill a 3/16" hole and hammer the blue plastic anchor until it is flush with the wall.

Place center screw hole over the blue anchor and insert screw. Stand back to level the rack (like hanging a picture). Once level, mark the other two holes. Remove rack from wall. Drill two remaining holes, insert blue plastic anchors, and reinstall rack. Tighten screws until snug.