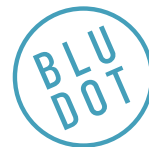
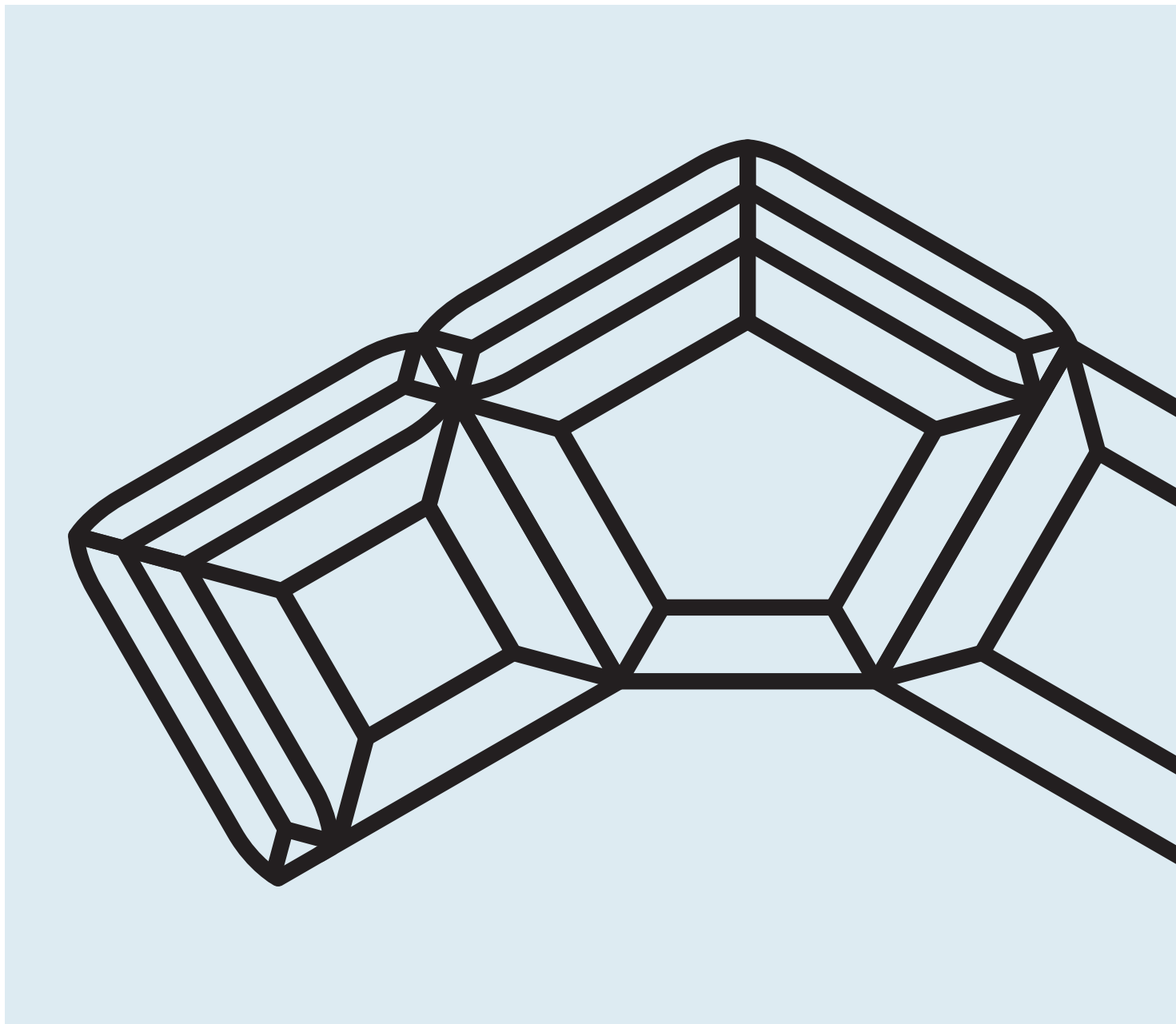


9 Yard Outdoor Collection



DESIGNED IN 2018

ASSEMBLY NOTES | REV 02



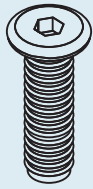
ROOFLESS LIVING ROOM.

Trick out Mother Nature with this fully upholstered modular outdoor sofa system. Configure as needed to get the most out of your outdoor space.

NEED A HAND?

Contact us at service@bludot.com or **844.425.8368** for assistance.

Parts & Hardware



QTY

5*

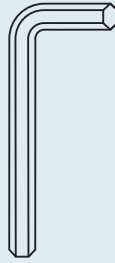
QTY

1

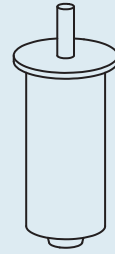
QTY

4*

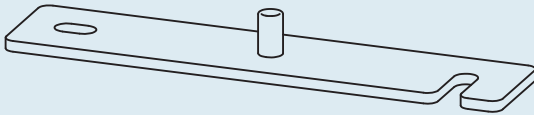
PT. 1681



PT. 9001



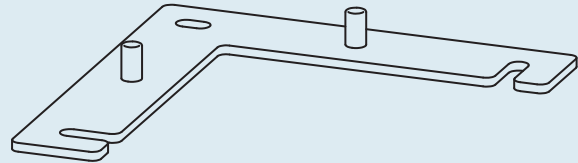
Foot



QTY

1*

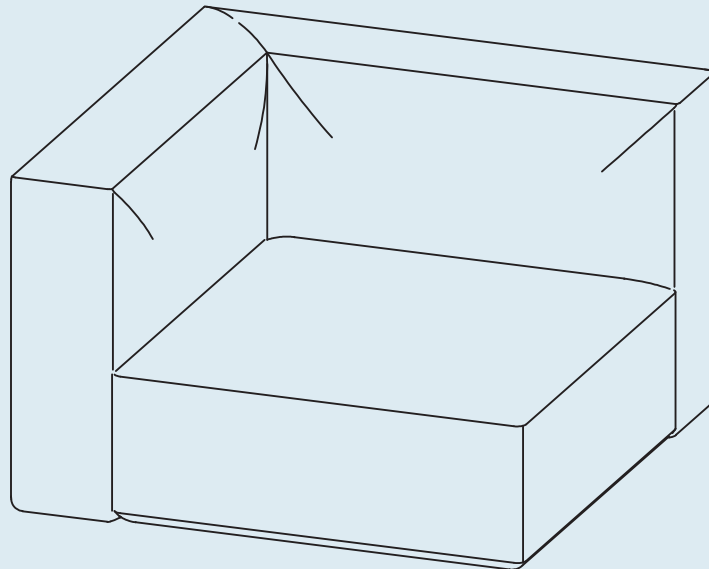
Straight Connector



QTY

1*

Corner Connector


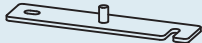
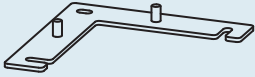
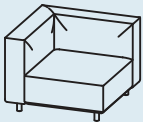
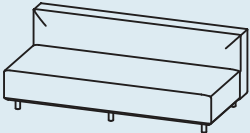
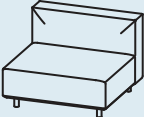
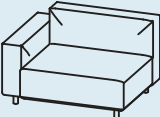
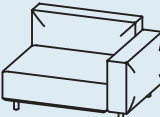



QTY

1

Module

*Part quantities vary based on product. Refer to page 2 for part breakdown.

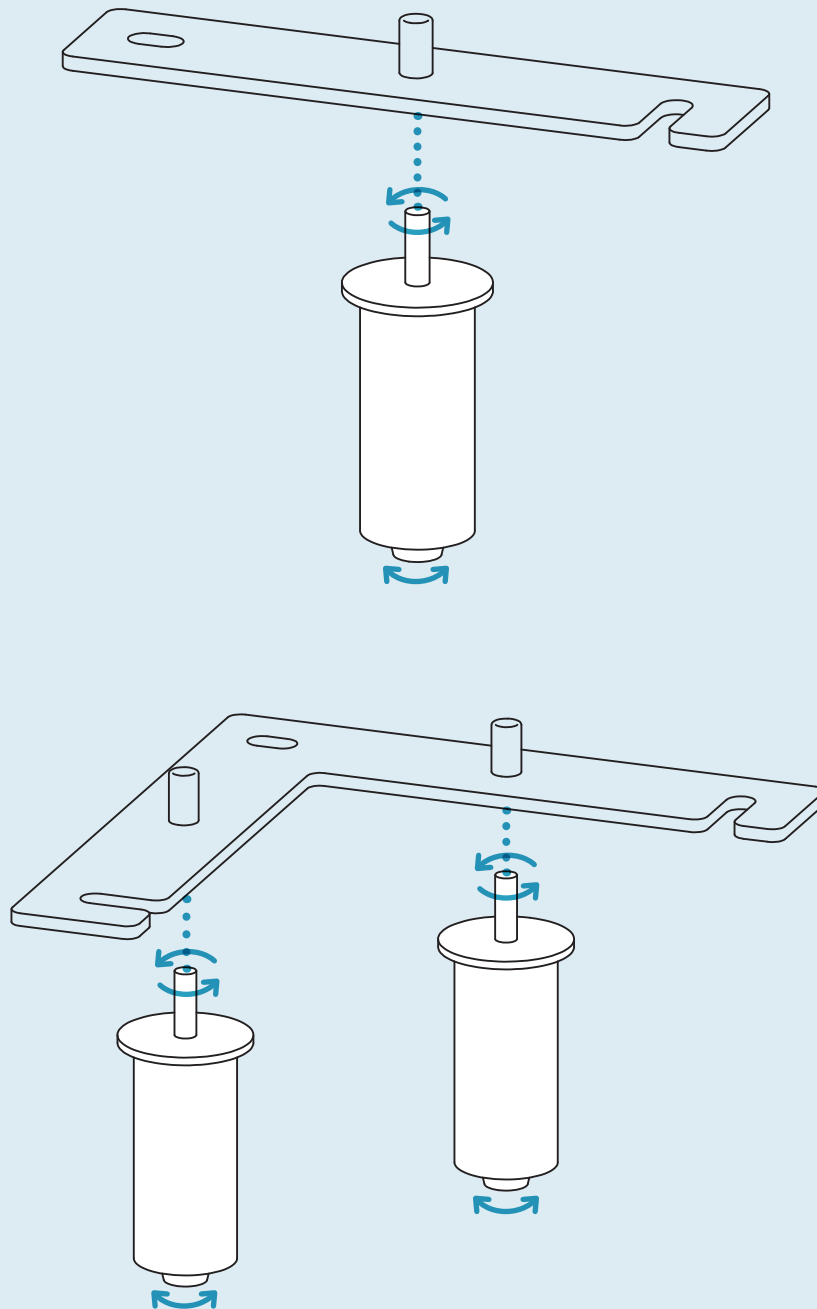
	 Foot	 Straight Connector*	 Corner Connector*
 Square Corner	4	1	1
 Double Armless	6	2	∅
 Armless	4	2	∅
 Left Arm	4	2	∅
 Right Arm	4	2	∅
 Pentagon	5	2	∅

*Straight connectors ship with x2 bolts. Corner connectors ship with x3 bolts.

Step 01

ASSEMBLE CONNECTORS.

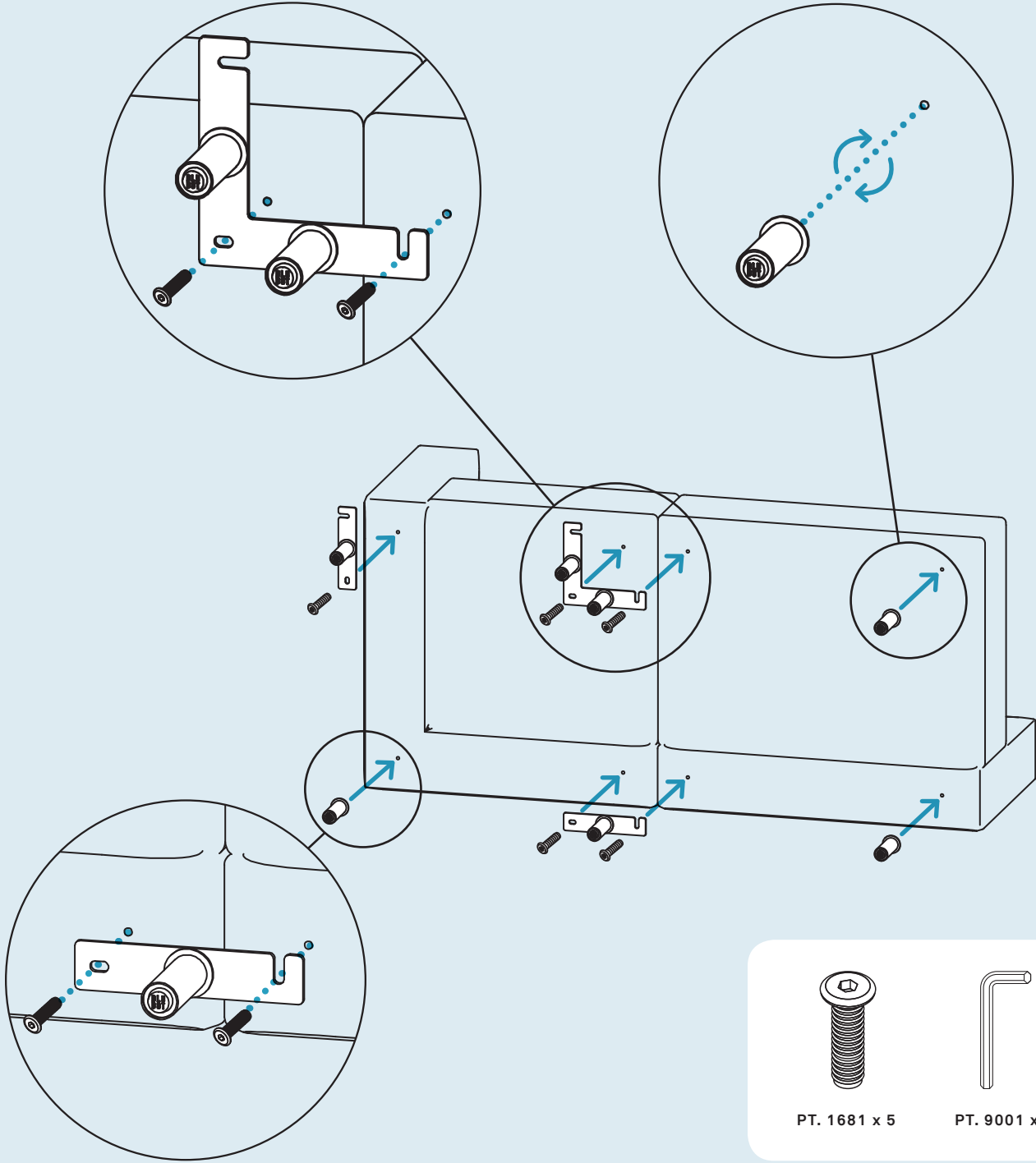
Attach adjustable feet to straight connectors and corner connectors as necessary. The amount required will depend on desired configuration.



Step 02

INSTALL CONNECTORS AND LEGS.

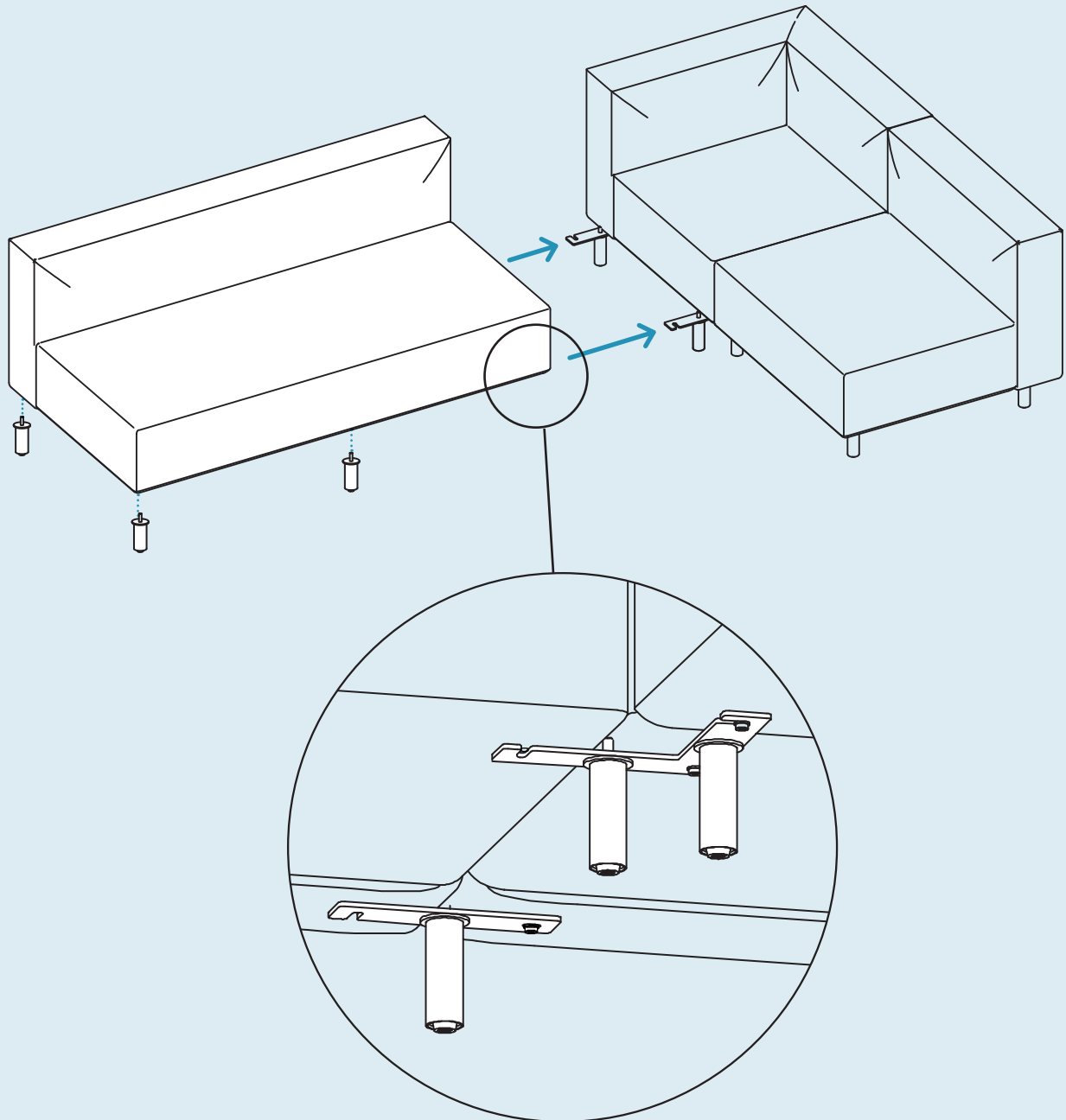
Align adjacent modules and install connectors as shown. Do not fully tighten bolts until all bolt locations have been installed. Attach feet as shown in locations that will not require connectors. After the legs have been attached, have a second person help lift and bring the frame upright in order to prevent leg damage.



Step 03

CONNECT ADDITIONAL MODULES.

Continue adding legs to additional modules and aligning them with existing pieces. Ensure that the connector hole locations are aligned.

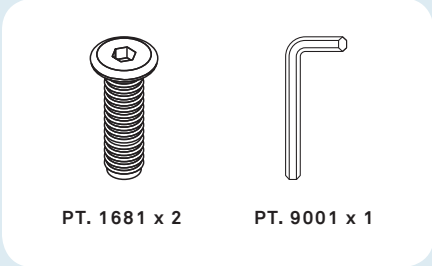
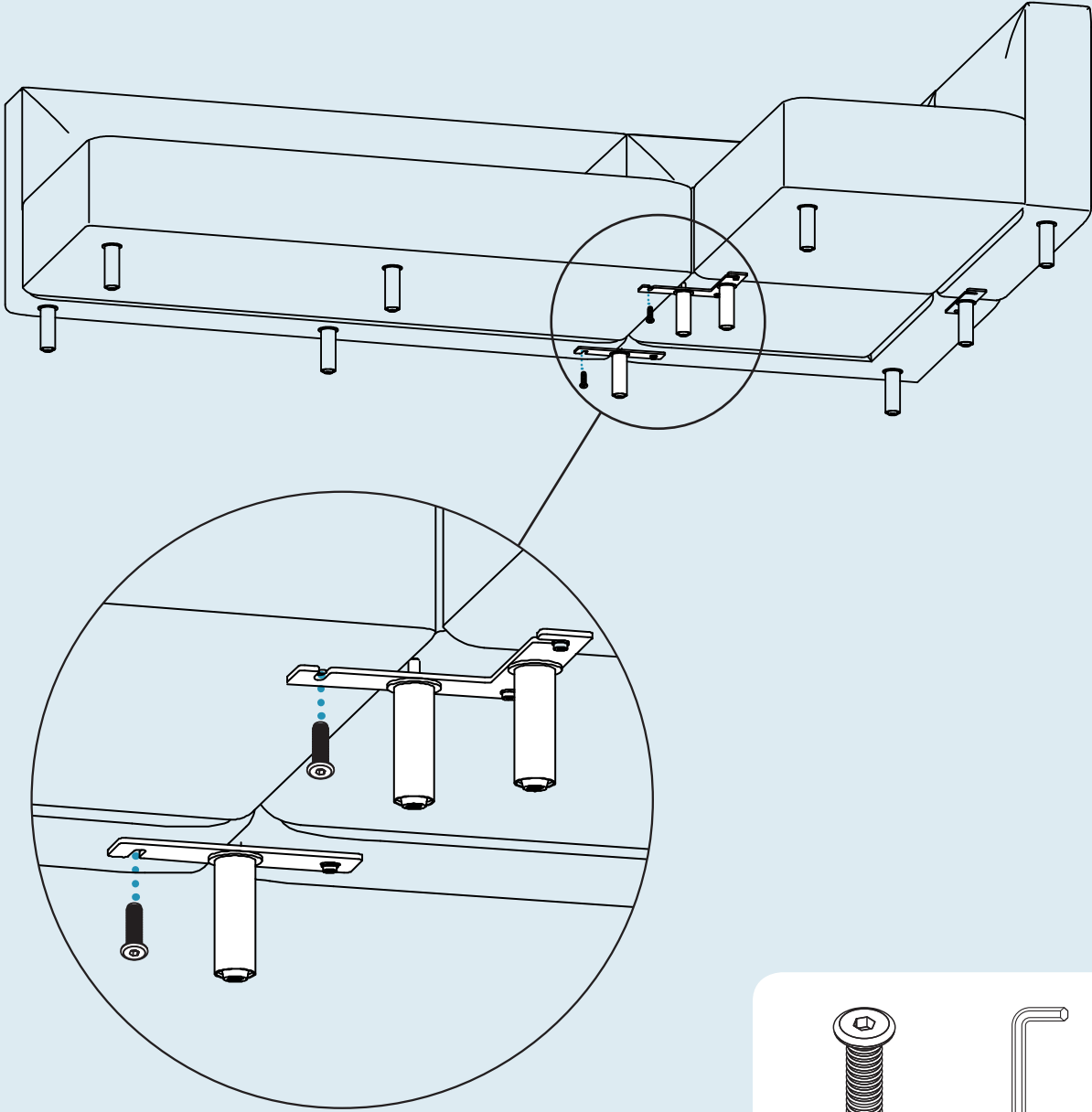


Step 04

INSTALL CONNECTORS.

Install remaining bolts on connectors. Tighten remaining loose bolts to secure modules in place.

Repeat installation steps for additional modules.



Additional Information

NOTE

This product is upholstered with Sunbrella® fabrics. Sunbrella fabrics are treated to be water and stain repellent, and do not promote mildew growth. We recommend regular cleaning as mildew can grow on dirt and dust embedded in the fabric.

CLEAN

Vacuum your upholstery regularly, this will help prevent dirt and dust from becoming embedded in the fabric. To remove minor wrinkles, we recommend using an iron on the synthetic setting.

SPILLS

Act quickly with spills. Blot the spill with a clean white cloth or paper towel. Never rub the surface. Apply a solution of mild dish soap and water to the surface containing the spill. Rinse the fabric surface thoroughly to remove any residue, working from seam to seam. Air Dry. Consult a commercial cleaning specialist for removal of stubborn stains.

MOLD AND MILDEW STAINS

Mildew can grow on dirt and dust embedded in the fabric. Before cleaning we recommend moving the furniture piece to a safe work space or covering the surrounding floor. To remove mold or mildew stains we recommend applying a solution of 1 cup bleach and ¼ cup mild dish soap per 1 gallon of water. Allow the solution to set for up to 15 minutes. Clean the entire surface with a soft sponge and rinse thoroughly to remove any residue, working from seam to seam. Air dry completely before using.

AVOID

Avoid placing heavy or sharp objects on the furniture surface for long periods of time; this can cause permanent surface indentations. For snags in the fabric, tuck loose threads into fabric or carefully push to reverse side. Never pull out or cut off loose threads. Do not use a fabric steamer to remove wrinkles, this can damage the fabric.

Sunbrella® is a registered trademark of Glen Raven, Inc.

