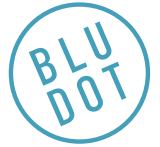


# Acre Lounge Chair

DESIGNED IN 2019

ASSEMBLY NOTES | REV 00



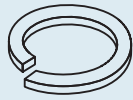
## NEED A HAND?

Contact us at [service@bludot.com](mailto:service@bludot.com) or **844.425.8368** for assistance.

## @BLUDOT

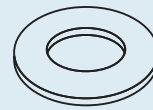
We design all our pieces in our Minneapolis studio. Follow along on Instagram for some sneak peeks into the process.

# Parts & Hardware



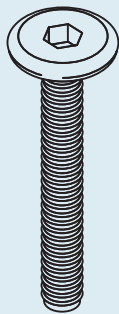
QTY 6

Pt. 3001



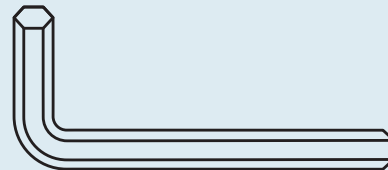
QTY 6

Pt. 3002



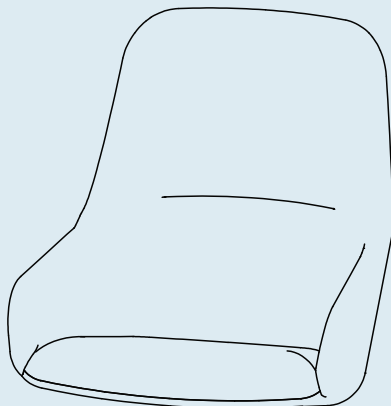
QTY 6

Pt. 1610



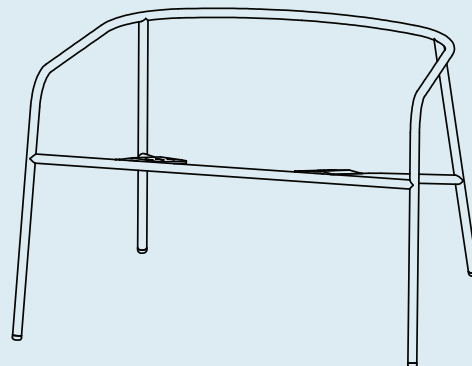
QTY 1

Pt. 9026



QTY 1

Seat



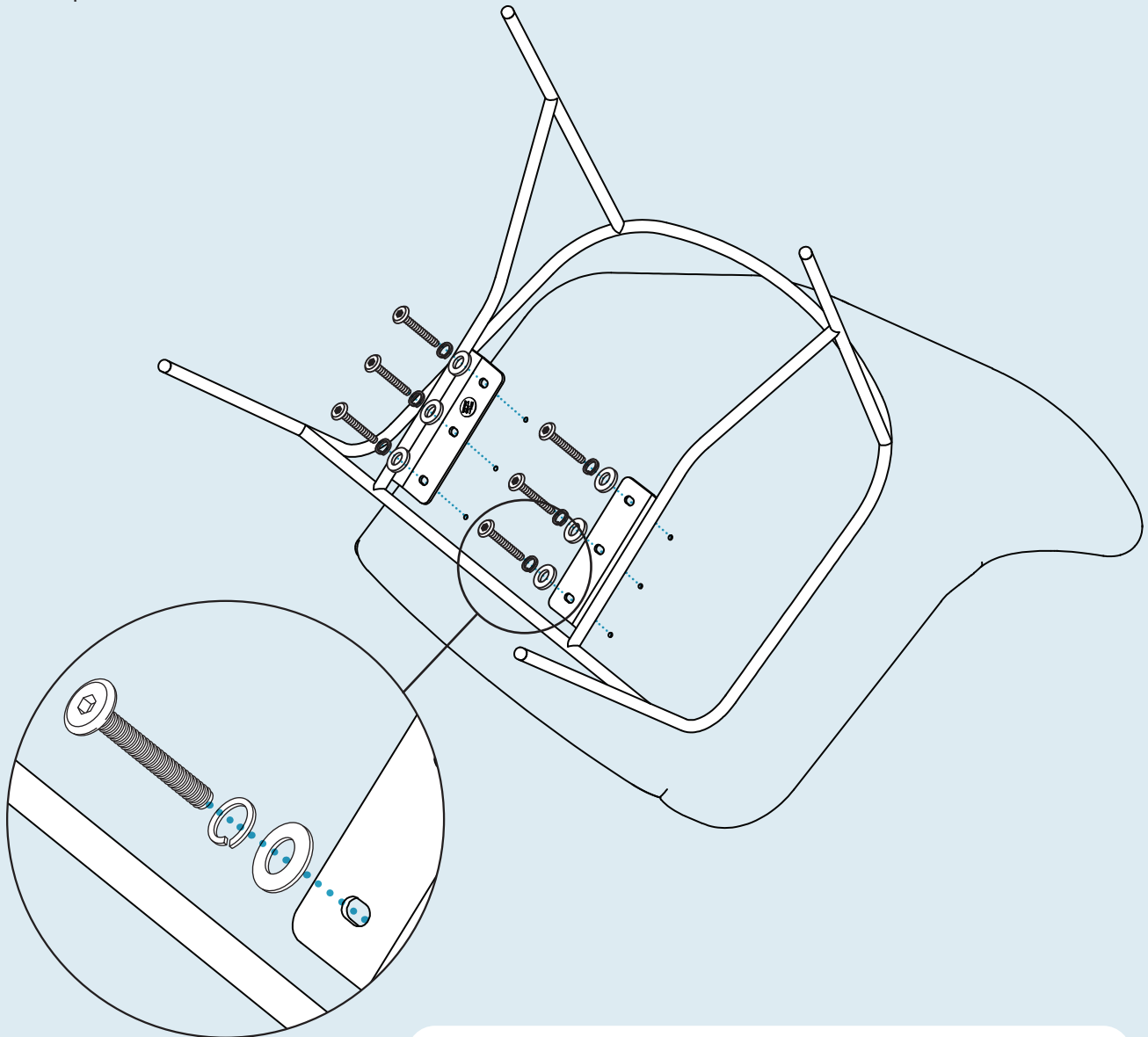
QTY 1

Base

# Step 01

## ATTACH BASE TO SEAT

Place the seat on a soft surface and position base as shown. Attach the base to the seat using the hardware provided to complete installation.



Pt. 1610 x 6



Pt. 3001 x 6



Pt. 3002 x 6



Pt. 9026 x 1

## Additional Information

### CLEAN

Vacuum your upholstery regularly.

### SPILLS

Act quickly with spills. Absorb the spill with a clean white cloth or paper towel. Never rub the surface. Do not use water or other liquids to clean, as they may stain the fabric. Consult a commercial cleaning specialist for removal of stubborn stains.

### AVOID

Keep chair out of direct sunlight and away from heat sources; excessive exposure to sunlight may fade the color of the upholstery. Avoid placing heavy or sharp objects on the furniture surface for long periods of time; this can cause permanent indentations in the fabric. For snags in the fabric, tuck loose threads into fabric or carefully push to reverse side. Never pull out or cut off loose threads.

