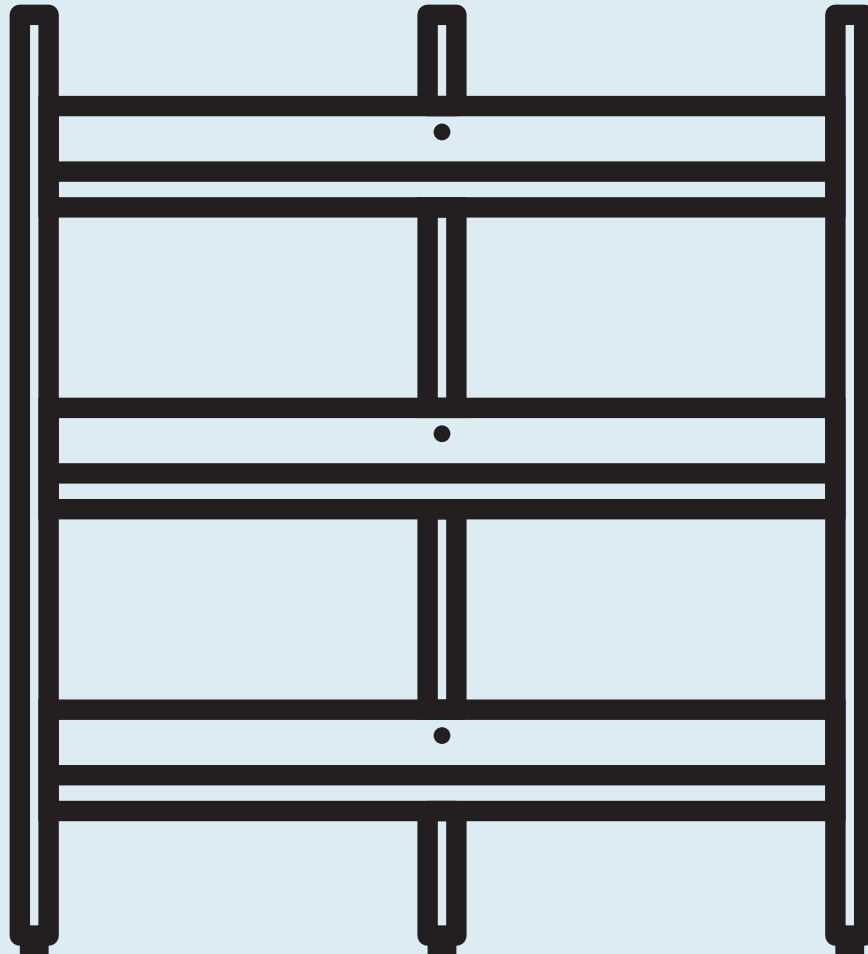


Browser Low Add-on Bookcase



DESIGNED IN 2018

ASSEMBLY NOTES | REV 00



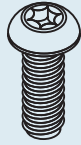
ALL BOOKED UP?

Be your own search engine. Browser is a wall-mounted shelving system designed to be a capable solo unit or added to (endlessly) as needed.

NEED A HAND?

Contact us at service@bludot.com or **844.425.8368** for assistance.

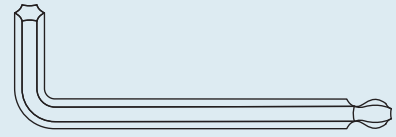
Parts & Hardware



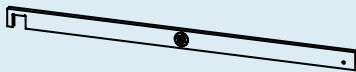
QTY 6
PT. 1682



QTY 3
PT. 1683



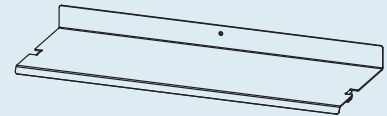
QTY 1
PT. 9016



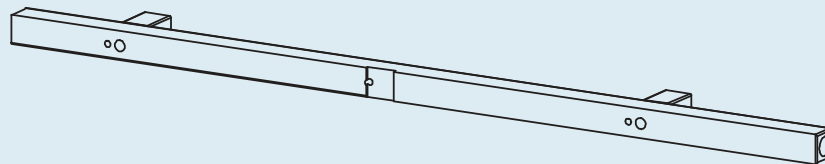
QTY 1
Measuring Tool



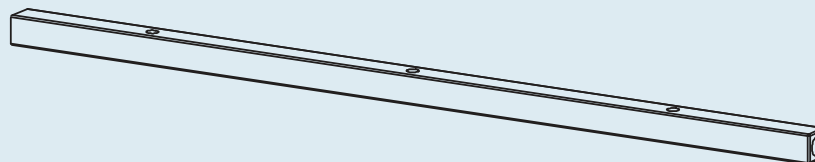
QTY 1
Brace



QTY 3
Shelf



QTY 1
Rear Upright



QTY 1
Side Upright

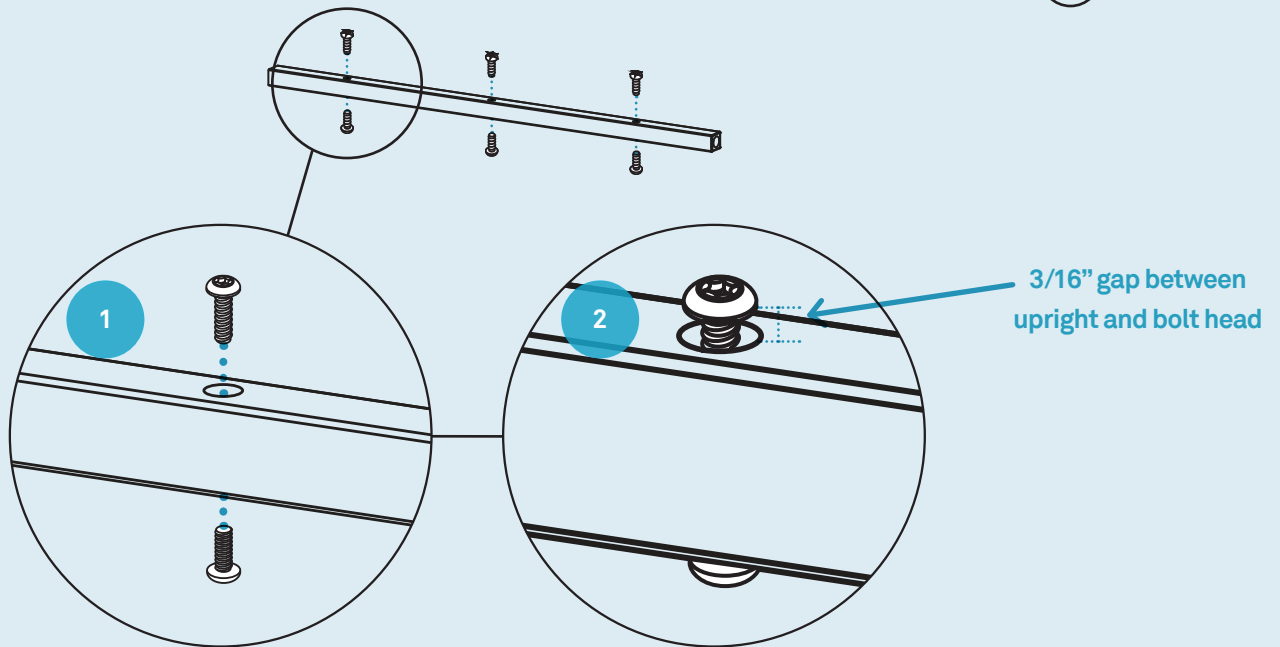
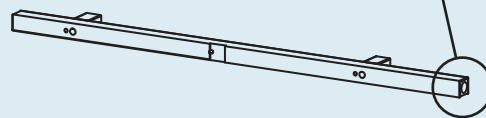
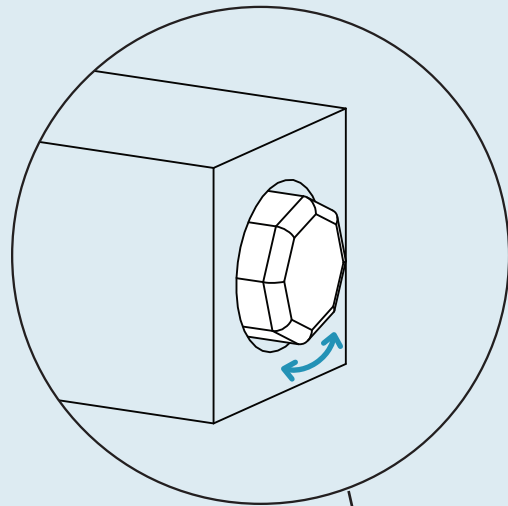
Step 01

PRE-INSTALL BOLTS AND POSITION ADJUSTABLE GLIDES.

Using the provided hardware, pre-attach the bolts to the side uprights, leaving a small gap as shown for shelf attachment on later steps.

The uprights contain floor glides that are recessed into the base and adjustable with a wrench (not included with product). Rotate the glides to a position that reveals enough material so that your wrench will fit.

Do not remove the glides completely.



PT. 1682 x 6



PT. 9016 x 1

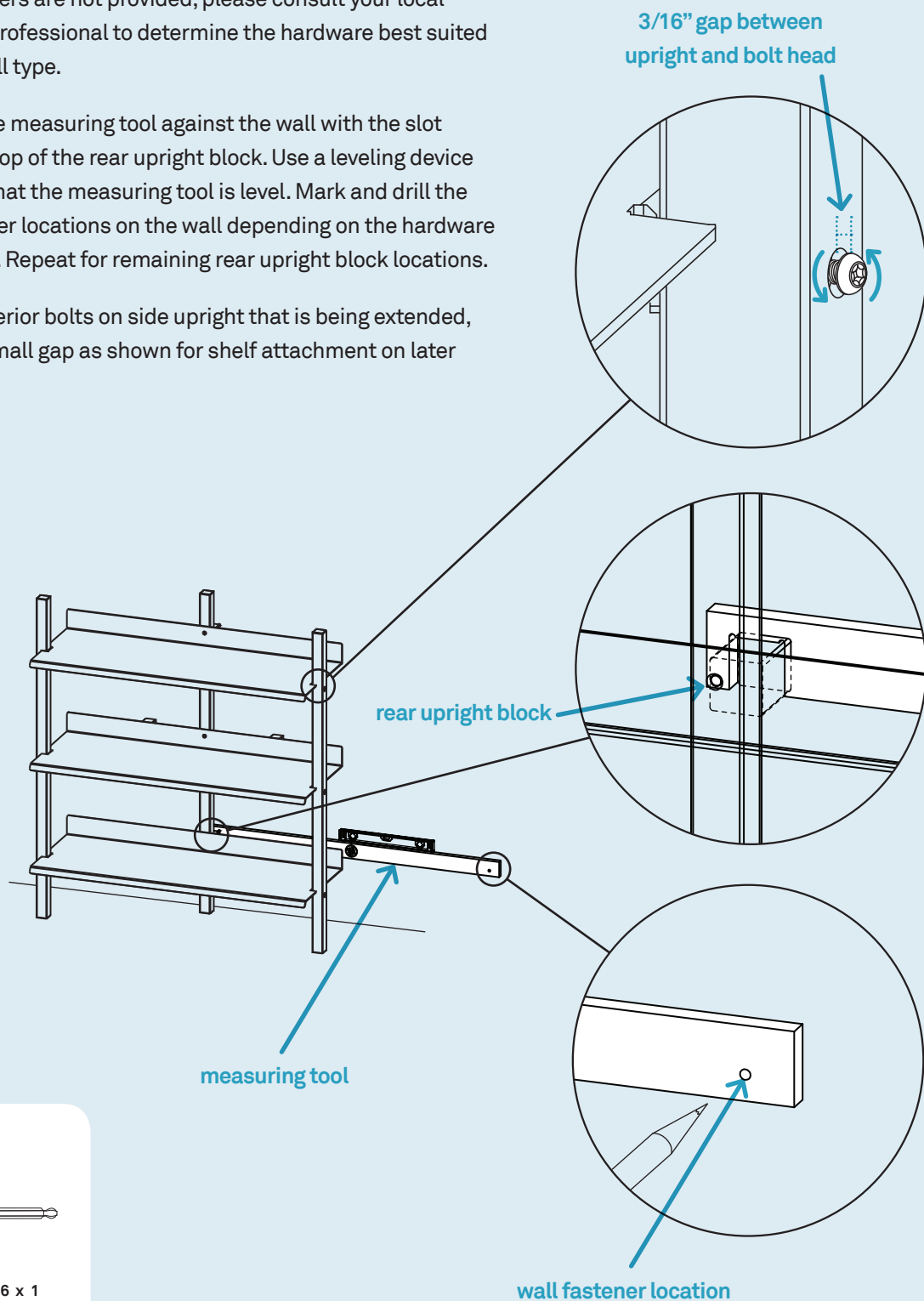
Step 02

MARK REAR UPRIGHT WALL LOCATION AND LOOSEN BOLTS.

Wall fasteners are not provided, please consult your local hardware professional to determine the hardware best suited for your wall type.

Position the measuring tool against the wall with the slot resting on top of the rear upright block. Use a leveling device to ensure that the measuring tool is level. Mark and drill the wall fastener locations on the wall depending on the hardware being used. Repeat for remaining rear upright block locations.

Loosen exterior bolts on side upright that is being extended, leaving a small gap as shown for shelf attachment on later steps.



PT. 9016 x 1

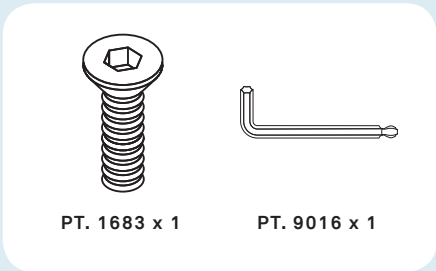
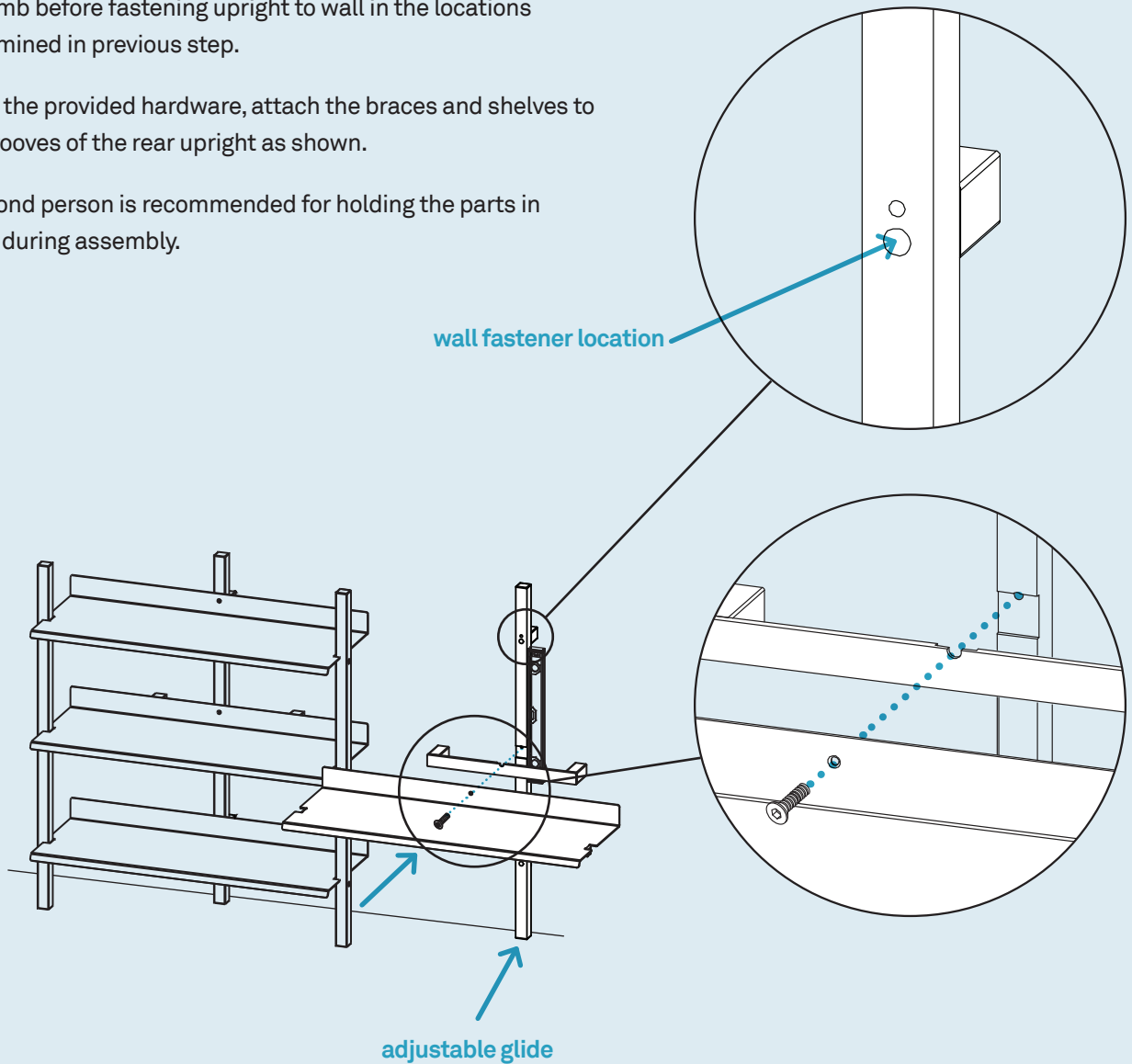
Step 03

ATTACH REAR UPRIGHT, BRACES, AND SHELVES.

Position the rear upright against the wall with the glide facing downwards. Use a leveling device to ensure that the upright is plumb before fastening upright to wall in the locations determined in previous step.

Using the provided hardware, attach the braces and shelves to the grooves of the rear upright as shown.

A second person is recommended for holding the parts in place during assembly.

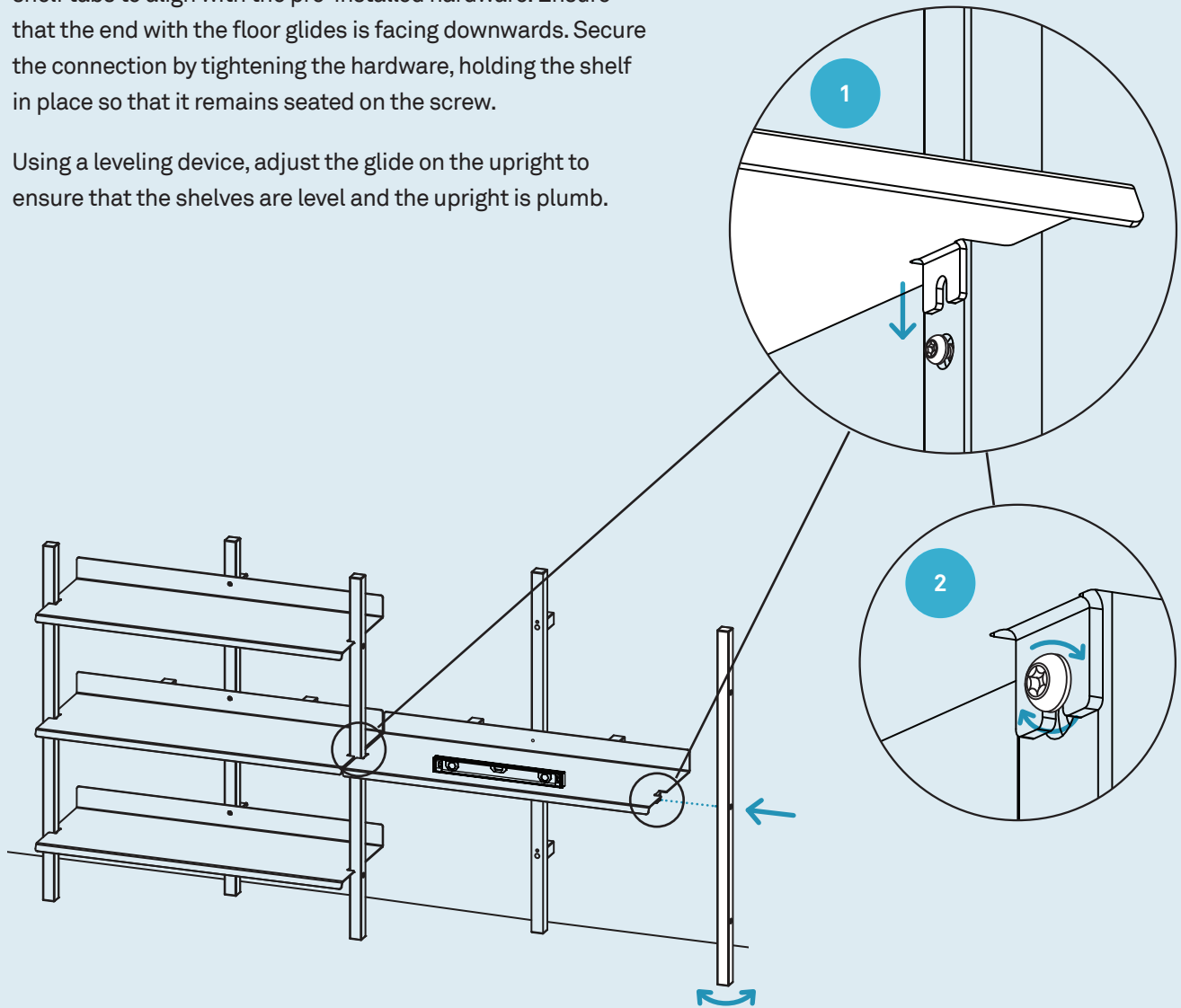


Step 04

ATTACH SIDE UPRIGHT.

Install the side upright in the locations shown by pivoting the shelf tabs to align with the pre-installed hardware. Ensure that the end with the floor glides is facing downwards. Secure the connection by tightening the hardware, holding the shelf in place so that it remains seated on the screw.

Using a leveling device, adjust the glide on the upright to ensure that the shelves are level and the upright is plumb.



PT. 9016 x 1

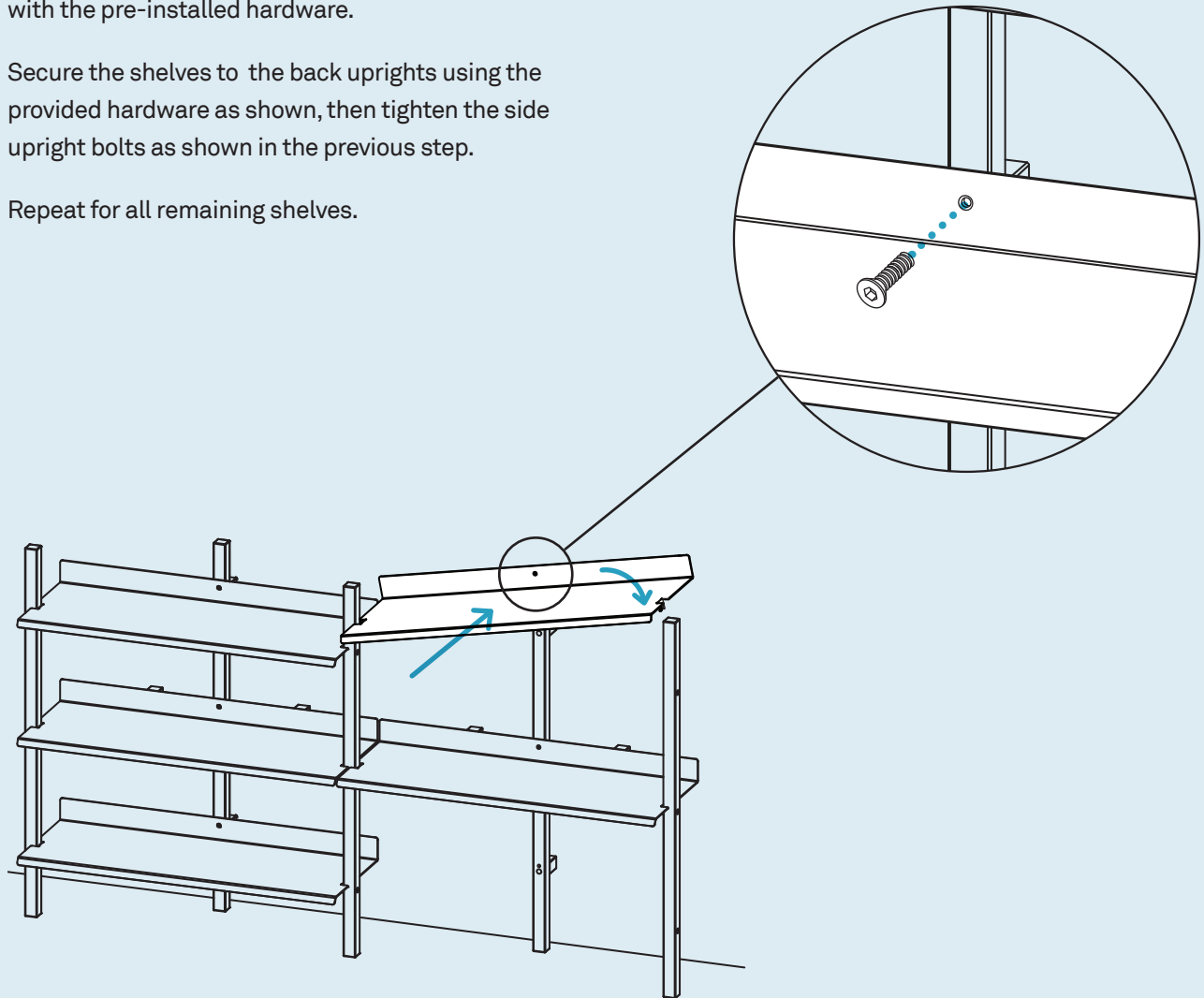
Step 05

ATTACH REMAINING SHELVES.

Rotate the remaining shelves to position them between the side uprights, then pivot and lower them to align with the pre-installed hardware.

Secure the shelves to the back uprights using the provided hardware as shown, then tighten the side upright bolts as shown in the previous step.

Repeat for all remaining shelves.



PT. 1683 x 2



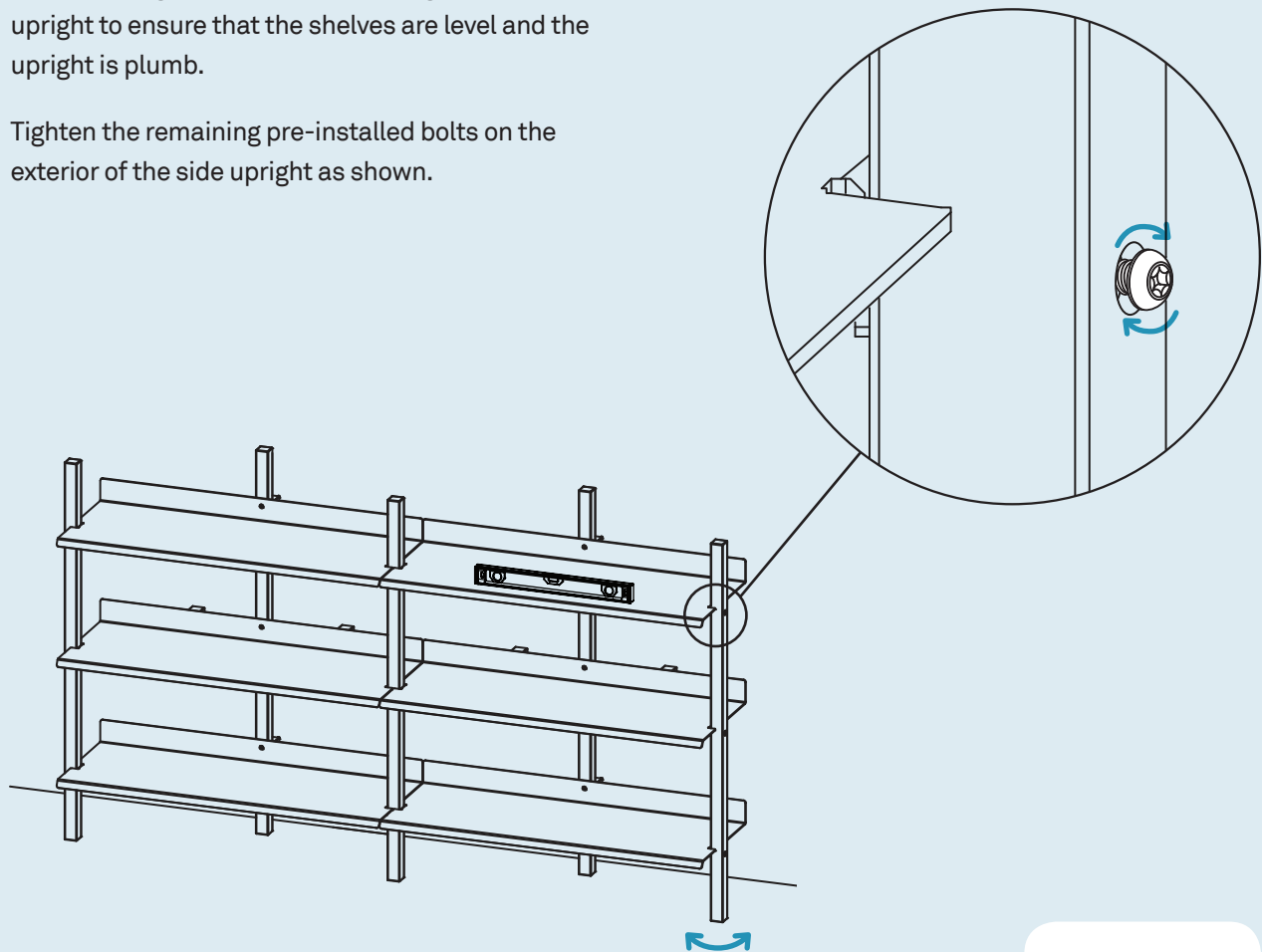
PT. 9016 x 1

Step 06

ADJUST GLIDE AND TIGHTEN REMAINING BOLTS.

Use a leveling device and adjust the glide on the upright to ensure that the shelves are level and the upright is plumb.

Tighten the remaining pre-installed bolts on the exterior of the side upright as shown.



PT. 9016 x 1

Additional Information

CLEAN

Clean with a slightly damp, soft cloth. To remove dirt and fingerprints, use quality cleaners formulated for wood and metal furniture. Wipe completely dry with a soft cloth in the direction of the wood grain.

