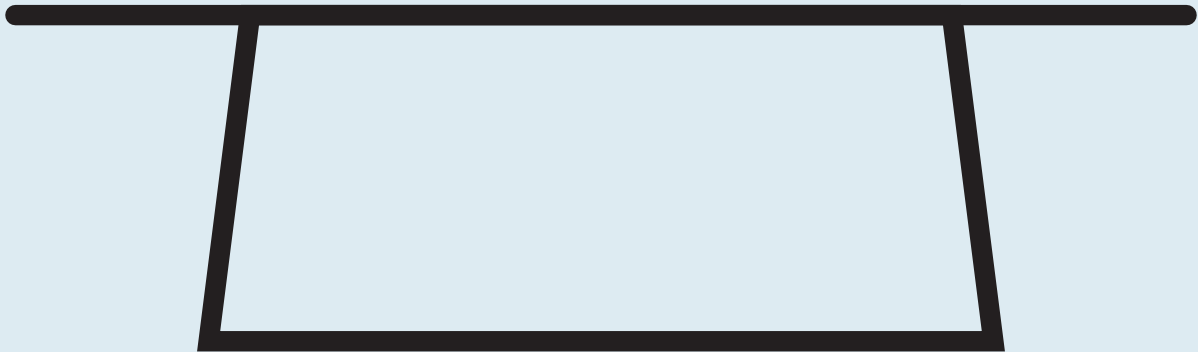


Circula XL-Coffee Table



DESIGNED IN 2017

ASSEMBLY NOTES | REV 00



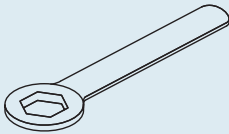
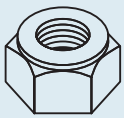
GOES BOTH WAYS.

Built for the elements this sophisticatedly simple table collection is fit for patio or palace. Circula rounds out any living space in or out.

NEED A HAND?

Contact us at service@bludot.com or **844.425.8368** for assistance.

Parts & Hardware

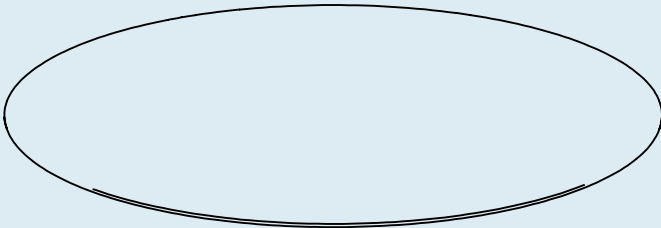


QTY 4

QTY 1

Pt. 2004

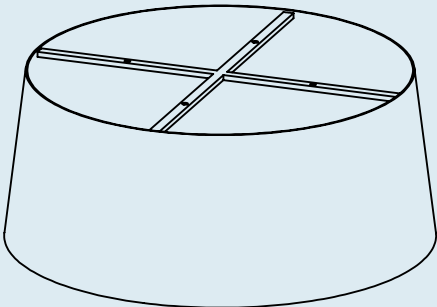
Pt. 9027



QTY

1

Top



QTY

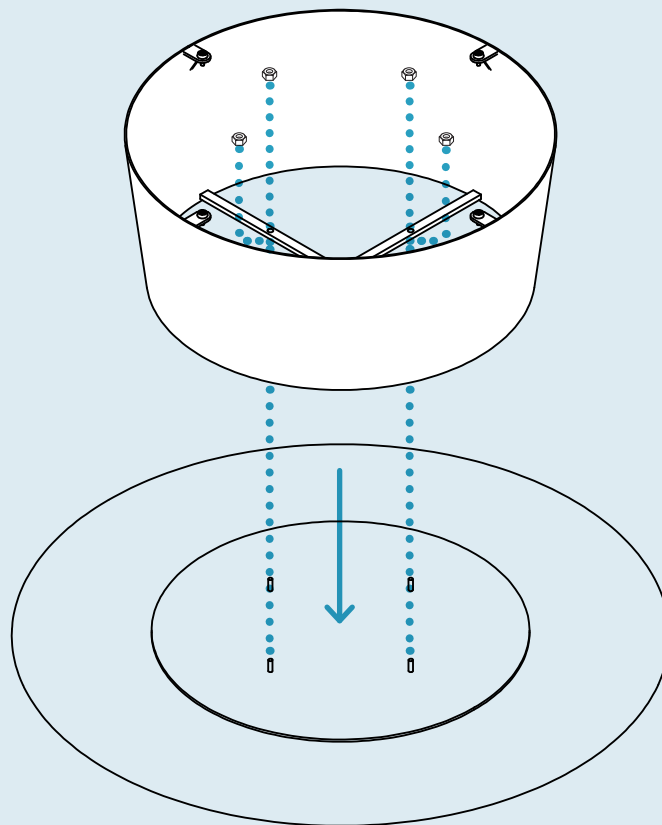
1

Base

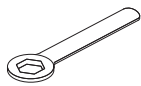
Step 01

ATTACH BASE TO TOP.

Place the table top face down on a soft surface. Use a second person to help align the base holes with the top threaded rods. Use the provided hardware to secure the base as shown.



PT. 2004 x 4

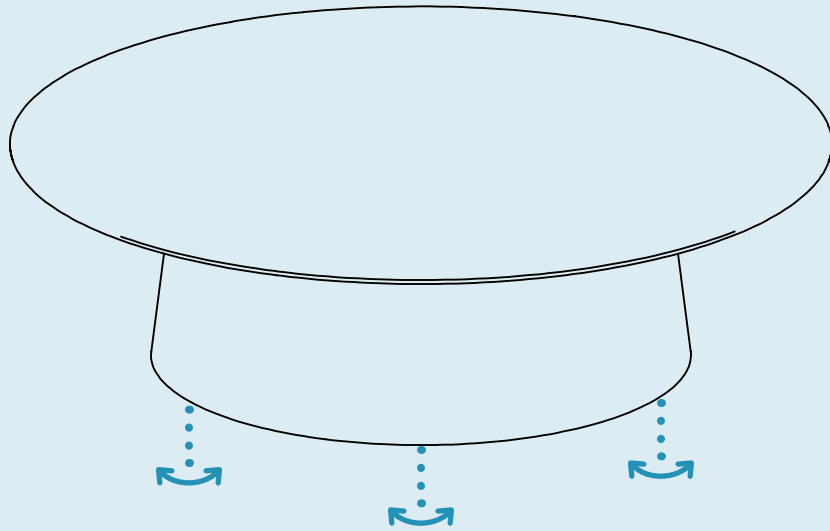


PT. 9027 x 1

Step 02

LEVELING THE BASE.

The base includes adjustable feet. Be sure to level your table prior to first use.



Outdoor Note: We recommend adjusting the table to be slightly out of level to help prevent standing water on the table top.

NOTE

Do not use abrasive cleaners on painted metal as it may affect the surface finish.

CLEAN

Clean with a slightly damp, soft cloth. To remove dirt and fingerprints, use a quality cleaner formulated for metal furniture. Wipe completely dry with a soft cloth.

MAINTAIN

Cover table during periods of non-use. Store table indoors during winter months.

