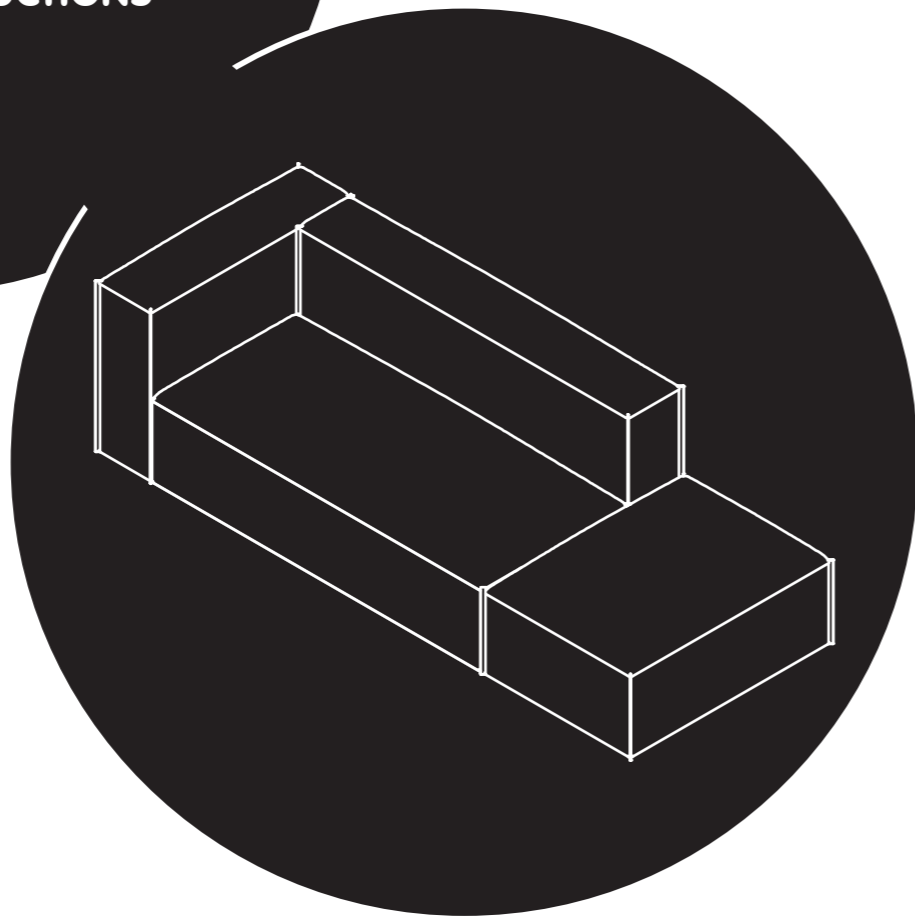


CLEON COLLECTION

ASSEMBLY INSTRUCTIONS



A MODULAR MODULE FOR MODULARITY!

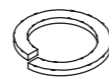


HARDWARE

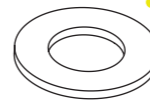
FLAT HEAD SCREW 1214



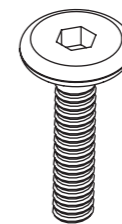
LOCK WASHER 3008



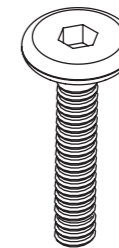
WASHER 3002



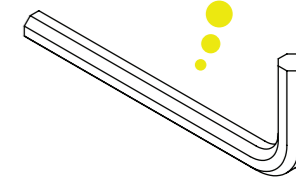
20MM HEX BOLT 1603



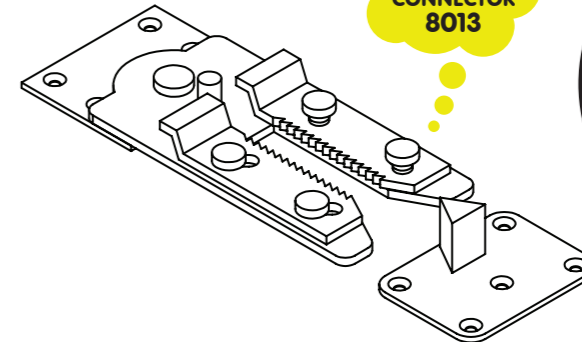
25MM HEX BOLT 1604



ALLEN WRENCH 9004



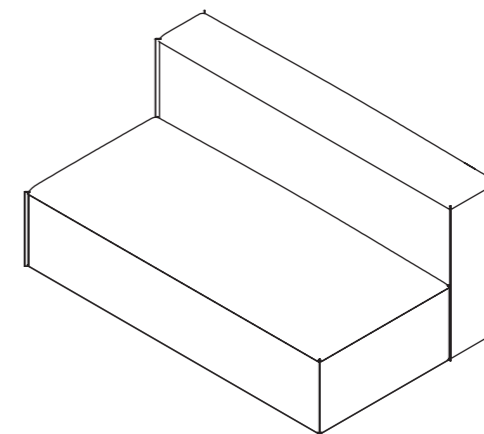
SOFA CONNECTOR 8013



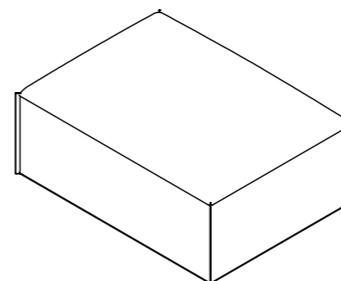
FOR SPECIFIC HARDWARE QUANTITIES REFER TO ASSEMBLY STEPS

PARTS

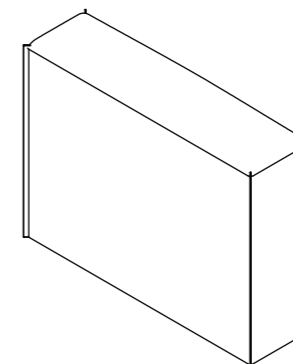
PART QUANTITIES WILL CHANGE DEPENDANT UPON WHICH CLEON IS PURCHASED.



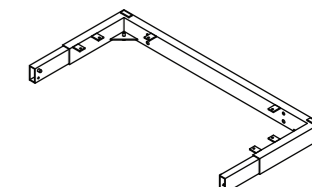
2 SEATER



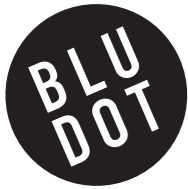
OTTOMAN



ARM



ARM FRAME



UPHOLSTERY CARE

KEEP IT CLEAN, JIMMY!

CLEAN

Vacuum your upholstery regularly.

AVOID

Keep upholstered furniture out of direct sunlight and away from heat sources; excessive exposure to sunlight may fade the color of the upholstery. Avoid placing heavy or sharp objects on the furniture surface for long periods of time; this can cause permanent indentations in the fabric. For snags in the fabric, tuck loose threads into fabric or carefully push to reverse side. Never pull out or cut off loose threads.

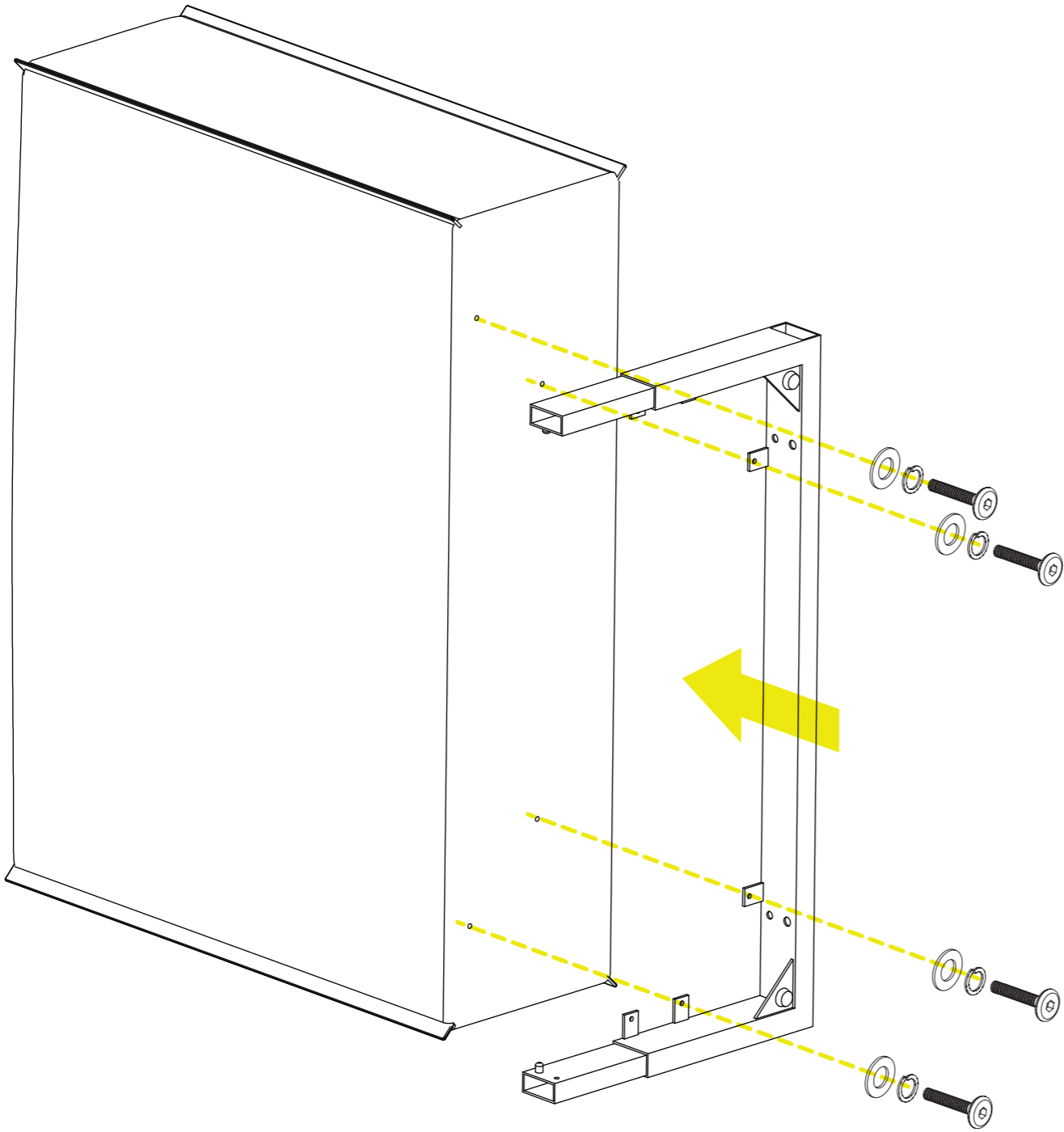
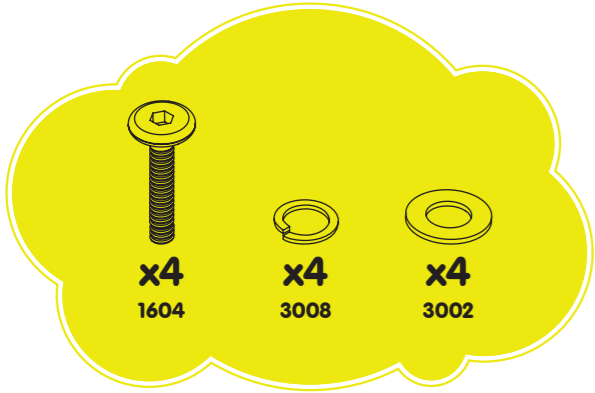
SPILLS

Act quickly with spills. Absorb the spill with a clean white cloth or paper towel. Never rub the surface. Spot clean with dry cleaning fluid. Do not use water or other liquids to clean, as they may stain the fabric. Consult a commercial cleaning specialist for removal of stubborn stains.

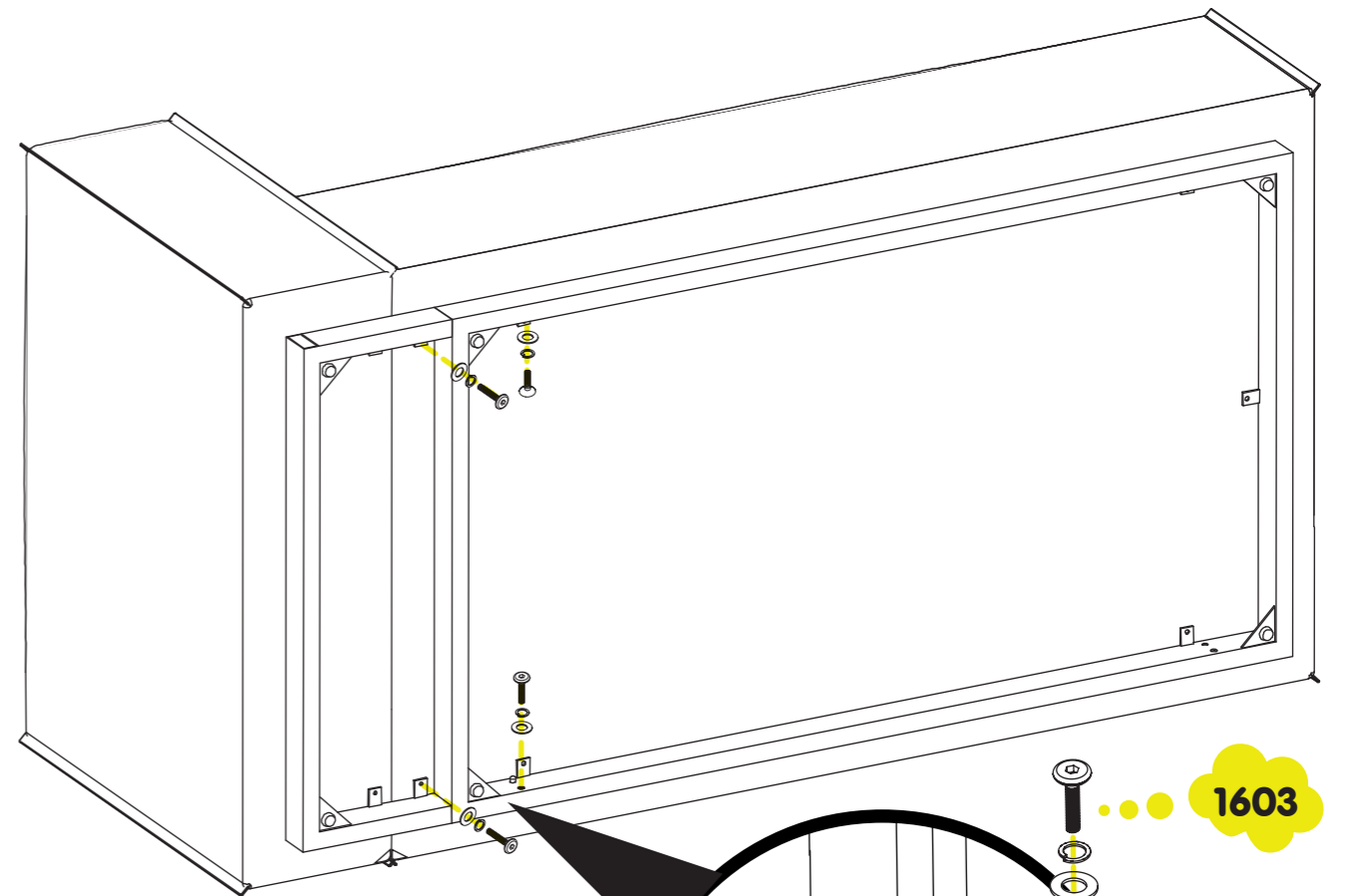
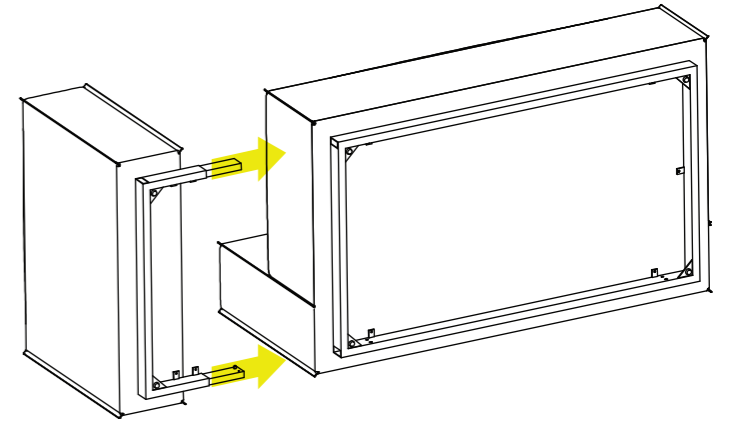
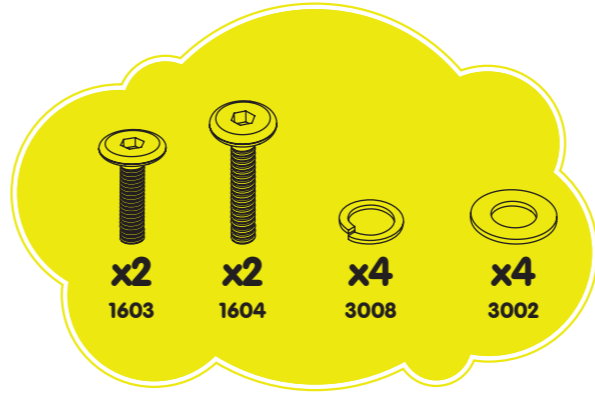
1

**CLEON ARM
ATTACHMENT
INSTRUCTIONS**

REPEAT AS
NEEDED



2



**BEFORE ATTACHING
ARM TO SEATING
FRAME, PRE-CONFIGURE
YOUR CLEAN ASSEMBLY.**

1603

1604

1

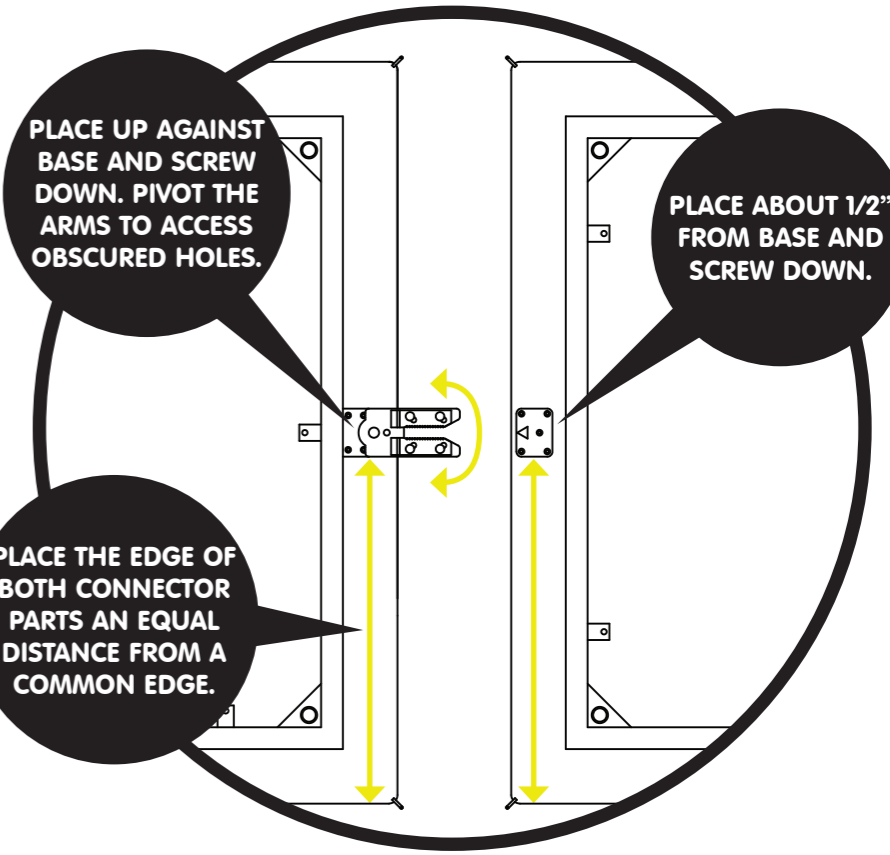
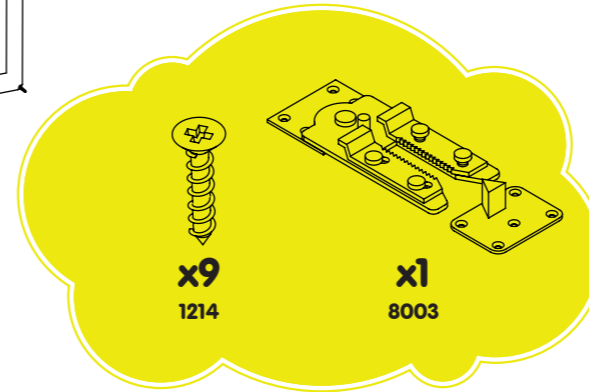
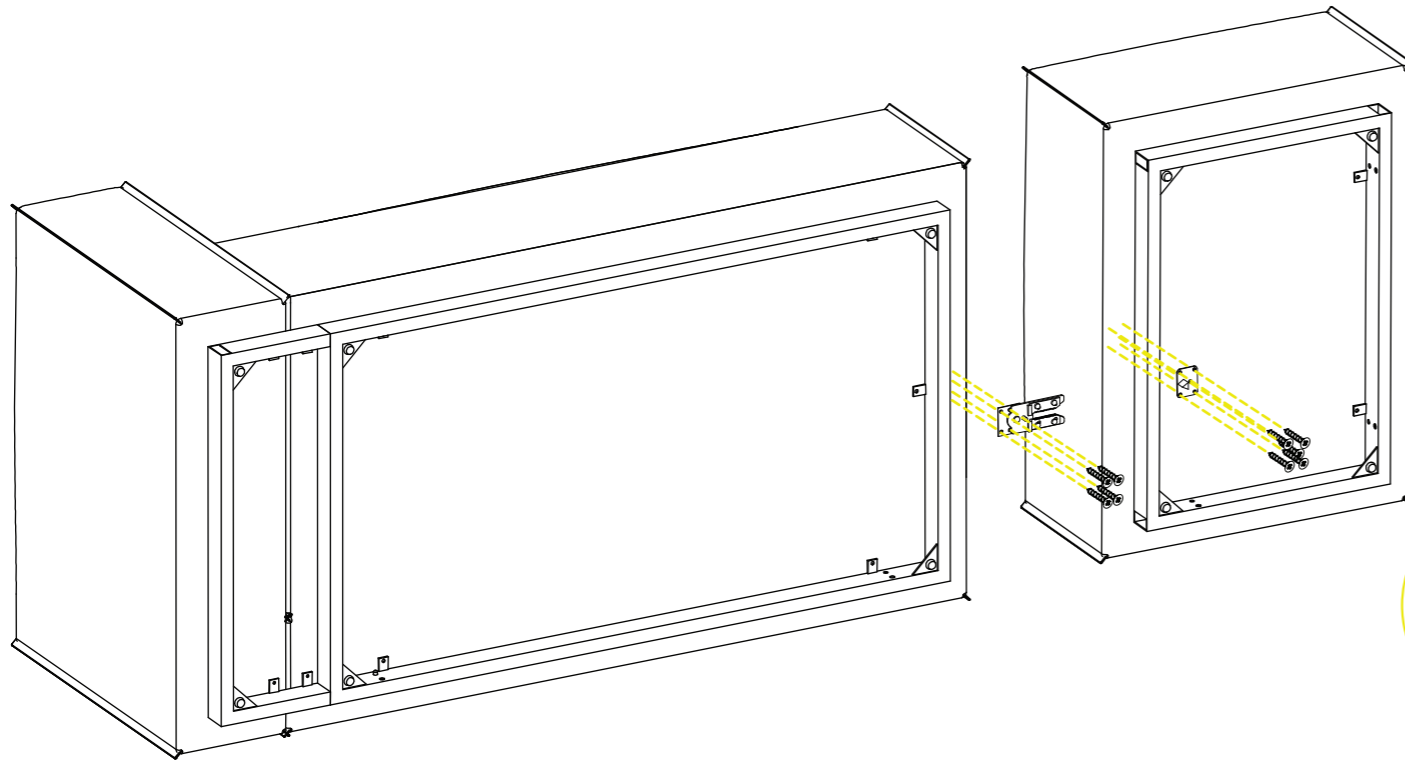
CLEON OTTOMAN AND SEAT ATTACHMENT INSTRUCTIONS

REPEAT AS NEEDED

PLACE UP AGAINST BASE AND SCREW DOWN. PIVOT THE ARMS TO ACCESS OBSCURED HOLES.

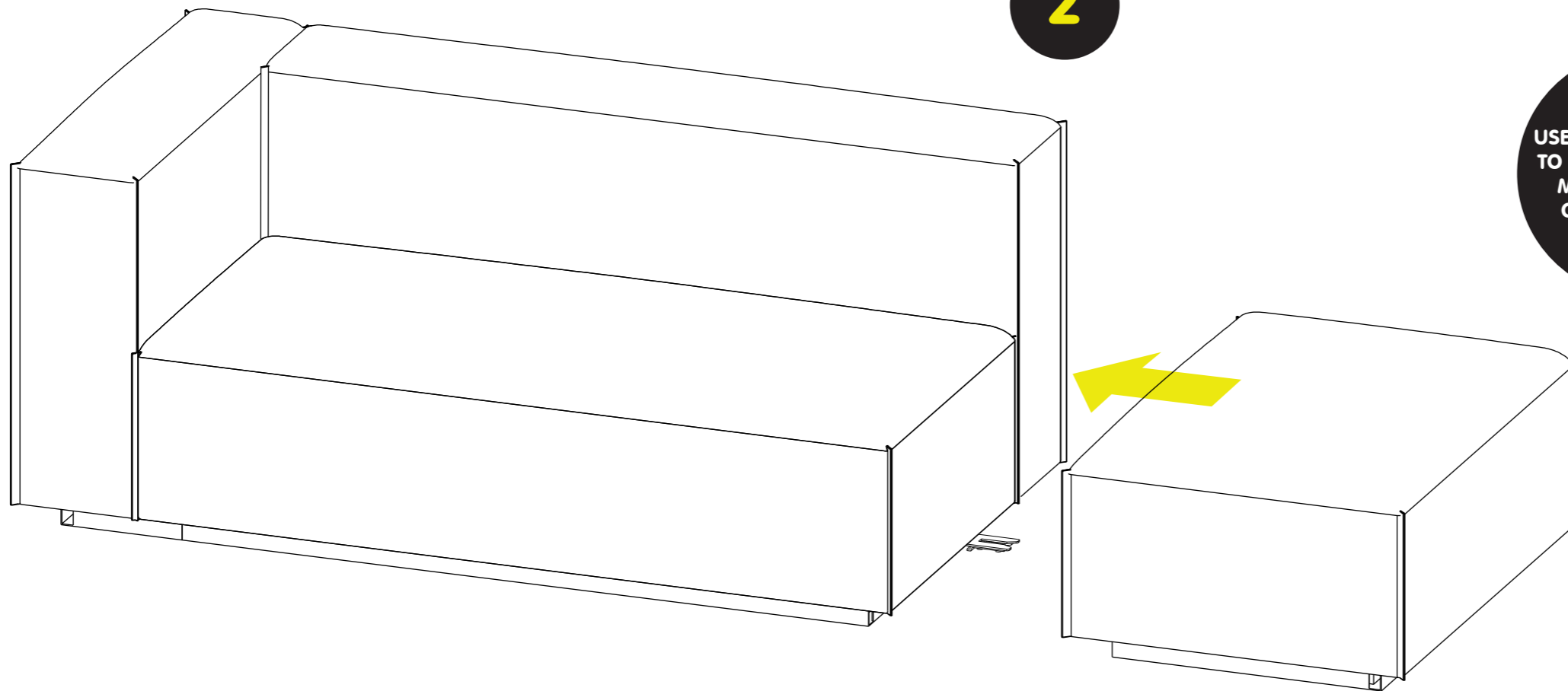
PLACE ABOUT 1/2" FROM BASE AND SCREW DOWN.

PLACE THE EDGE OF BOTH CONNECTOR PARTS AN EQUAL DISTANCE FROM A COMMON EDGE.

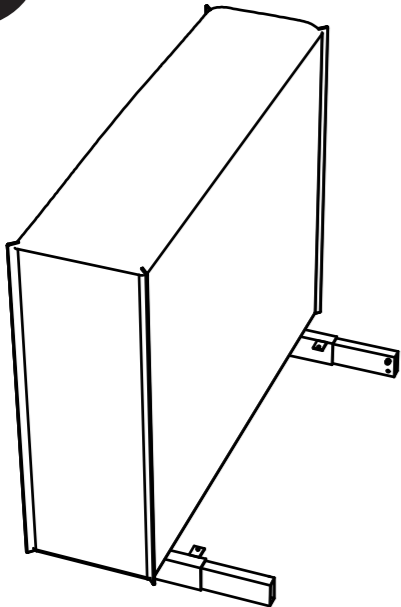


2

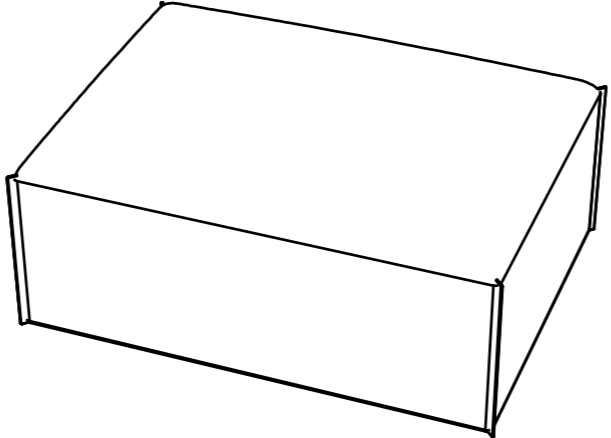
USE THE CONNECTORS TO JOIN YOUR **CLEON** MODULES IN ANY CONFIGURATION YOU WISH.



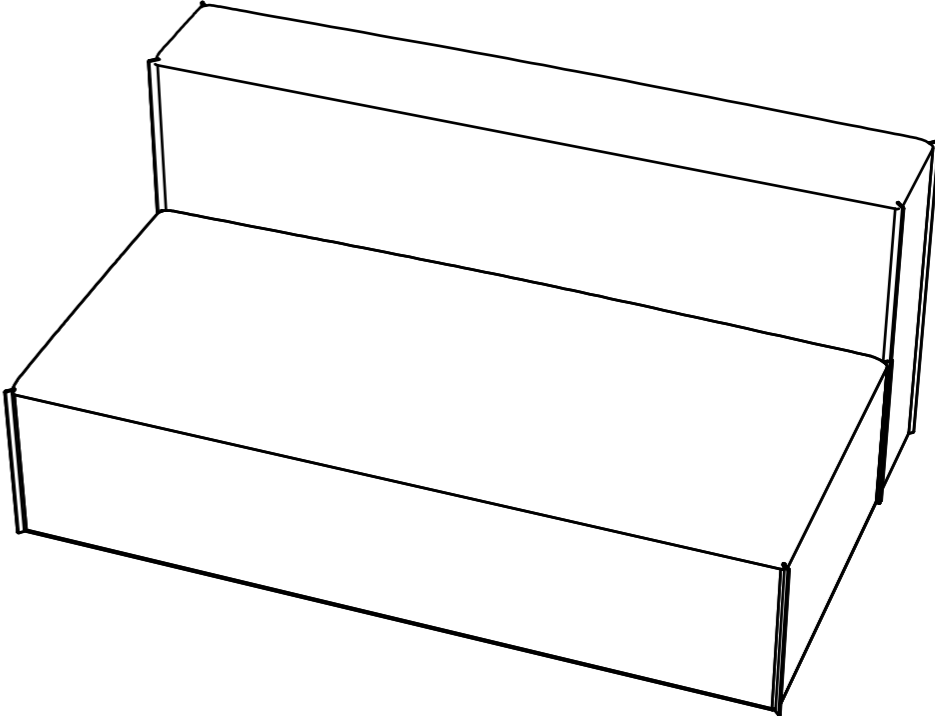
CLEON
THREE PIECES,
ENDLESS POSSIBILITIES...



ARM

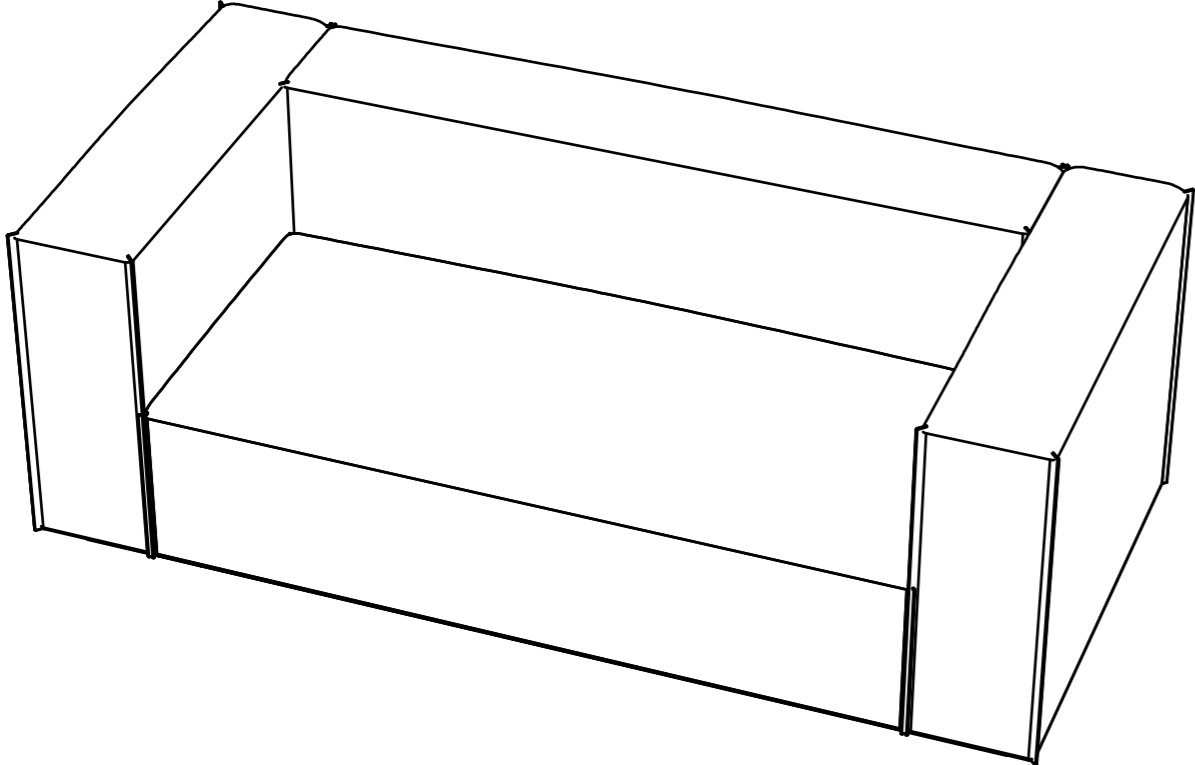


OTTOMAN

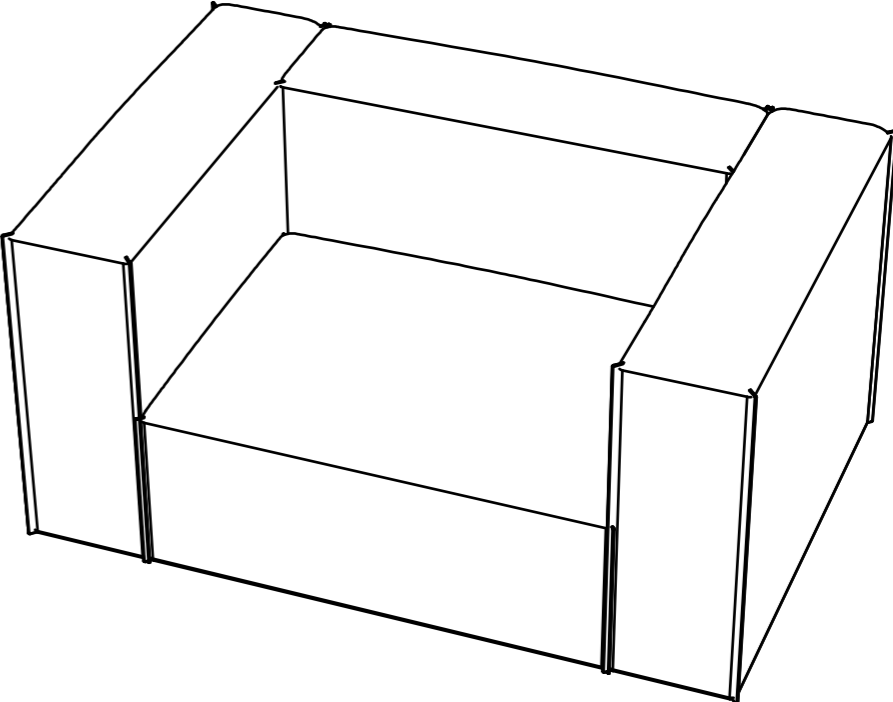


TWO-SEATER

MODULES



COUCH
2 ARMS, 1 TWO-SEATER

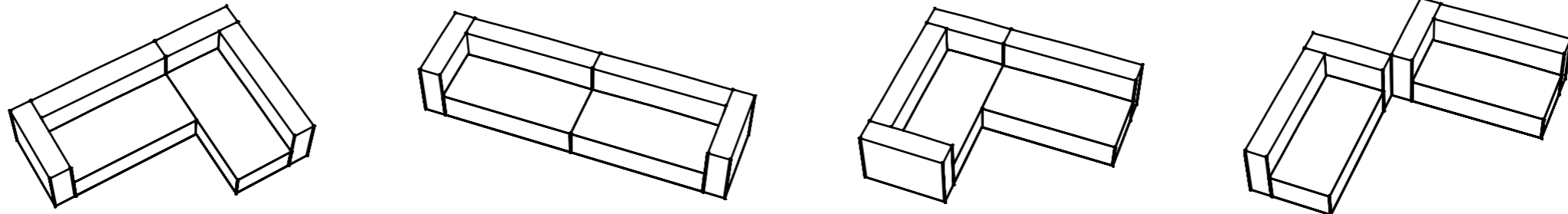


LOUNGE CHAIR
3 ARMS, 1 OTTOMAN

THE BASICS

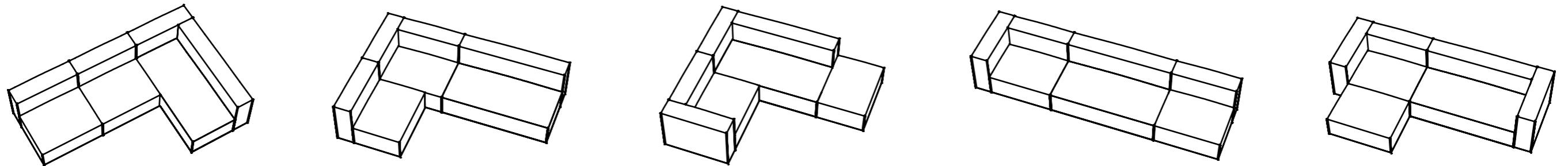
CLEON

THREE PIECES,
ENDLESS POSSIBILITIES...



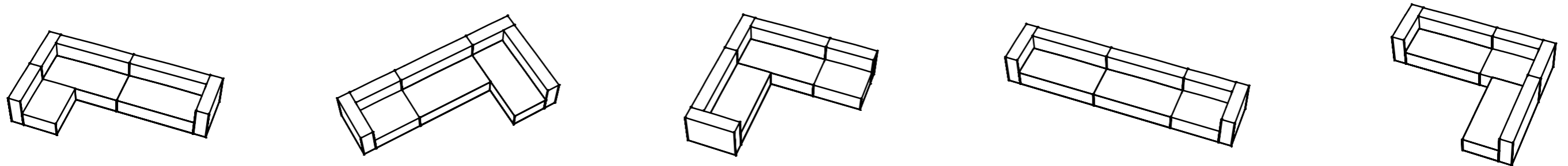
2 ARMS, 2 TWO-SEATERS

SMALL



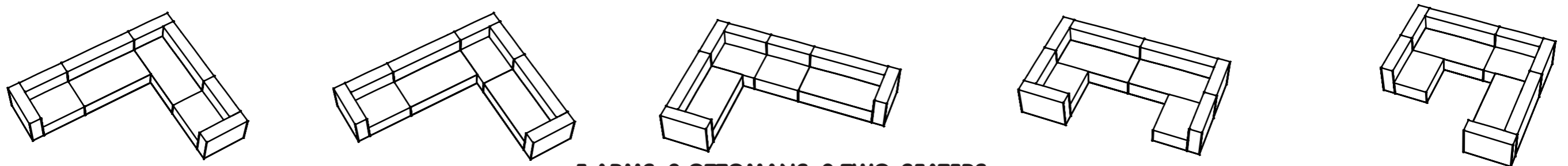
3 ARMS, 2 OTTOMANS, 1 TWO-SEATER

MEDIUM



3 ARMS, 1 OTTOMAN, 2 TWO-SEATERS

MEDIUM PLUS



5 ARMS, 2 OTTOMANS, 2 TWO-SEATERS

LARGE