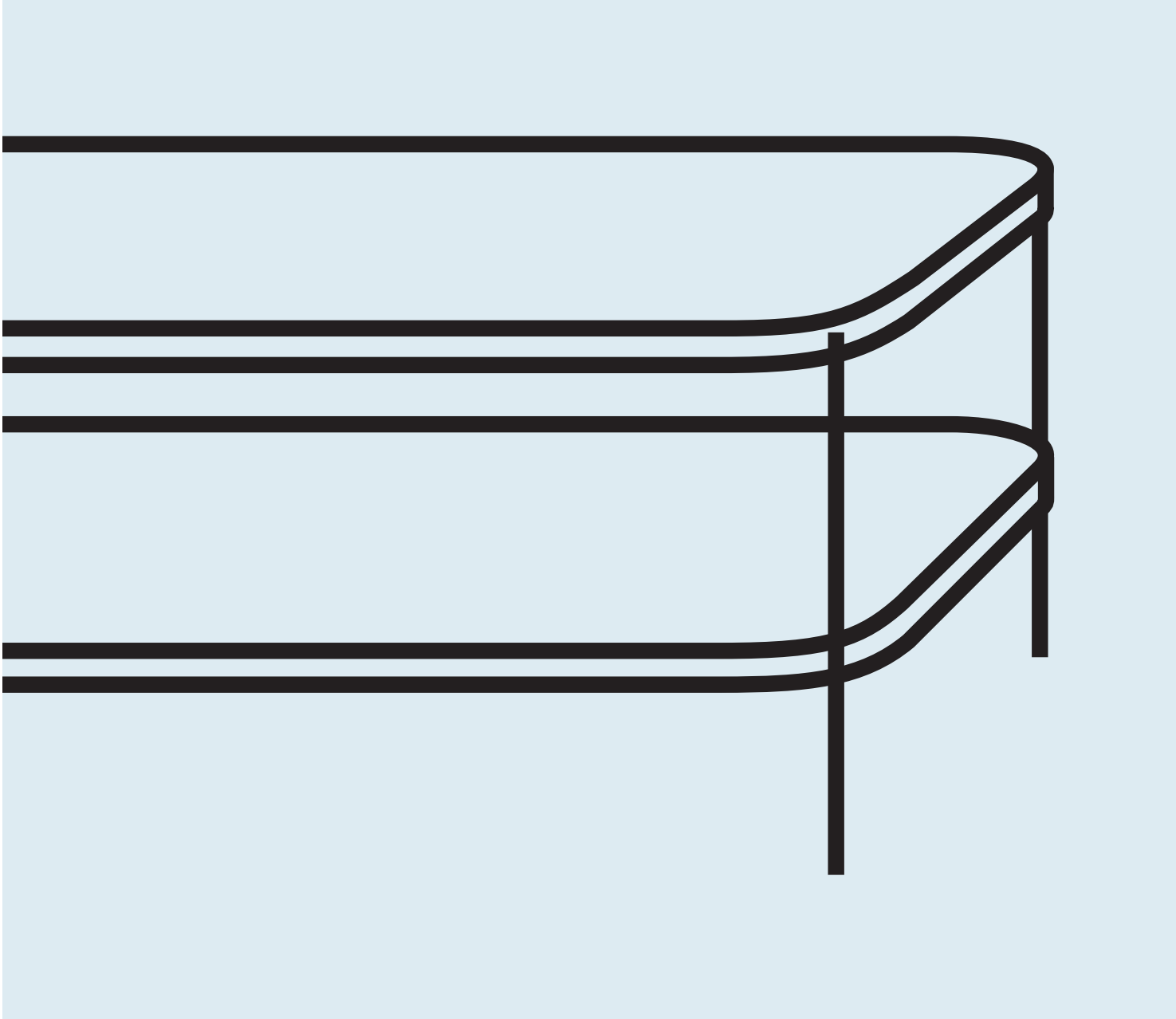


# Comehither Collection



DESIGNED IN 2020

ASSEMBLY NOTES | REV 01



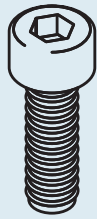
**NEED A HAND?**

Contact us at [service@bludot.com](mailto:service@bludot.com) or **844.425.8368** for assistance.

**@BLUDOT**

We design all our pieces in our Minneapolis studio. Follow along on Instagram for some sneak peeks into the process.

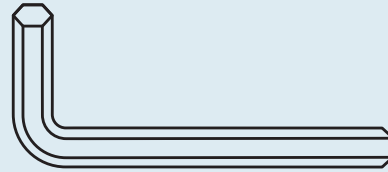
# Parts & Hardware



QTY

24 | 16\*

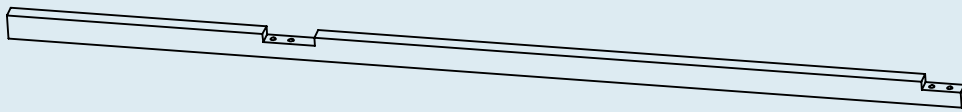
Pt. 1704



QTY

1

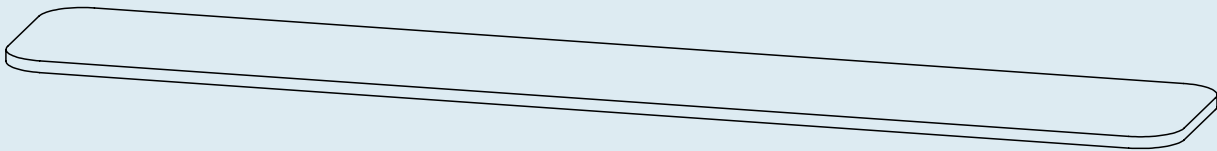
Pt. 9003b



QTY

6 | 4\*

Leg



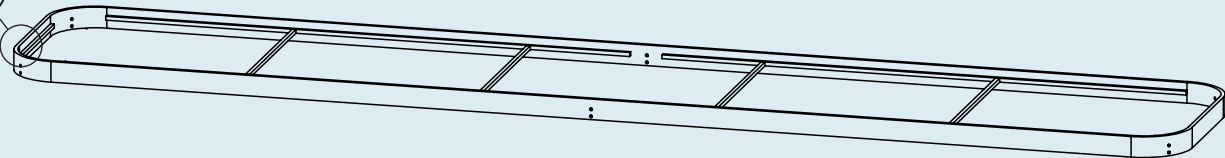
QTY

2

Shelf Panel



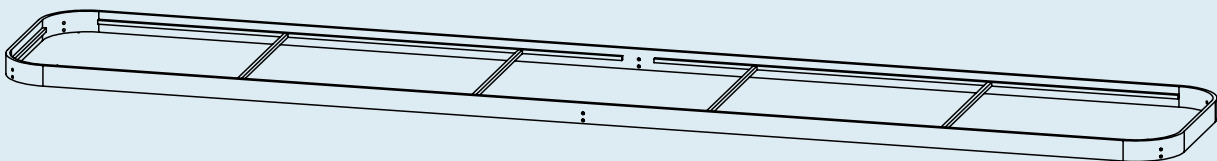
Upper Frame includes a logo sticker



QTY

1

Upper Frame



QTY

1

Lower Frame

\*The Long and Low Console Table will include greater quantities of legs and hardware.

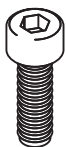
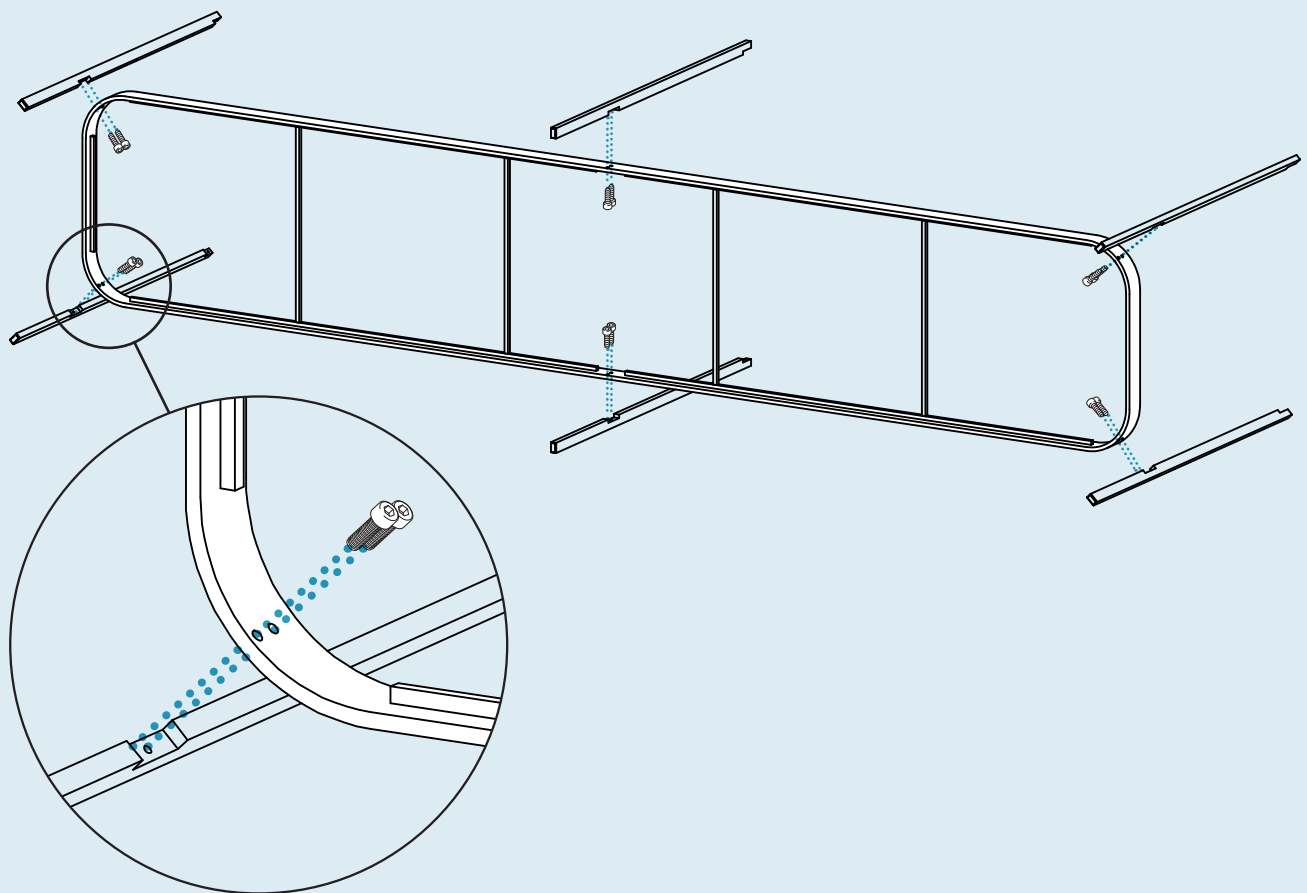
# Step 01

ATTACH LEGS TO LOWER FRAME.

Perform this step on a soft clean surface.

Attach legs to the lower frame using provided hardware as shown. **Do not fully tighten the hardware until later in assembly.**

Note: Leg and hardware quantities will vary depending on the table size purchased.



PT. 1704 x 12\*



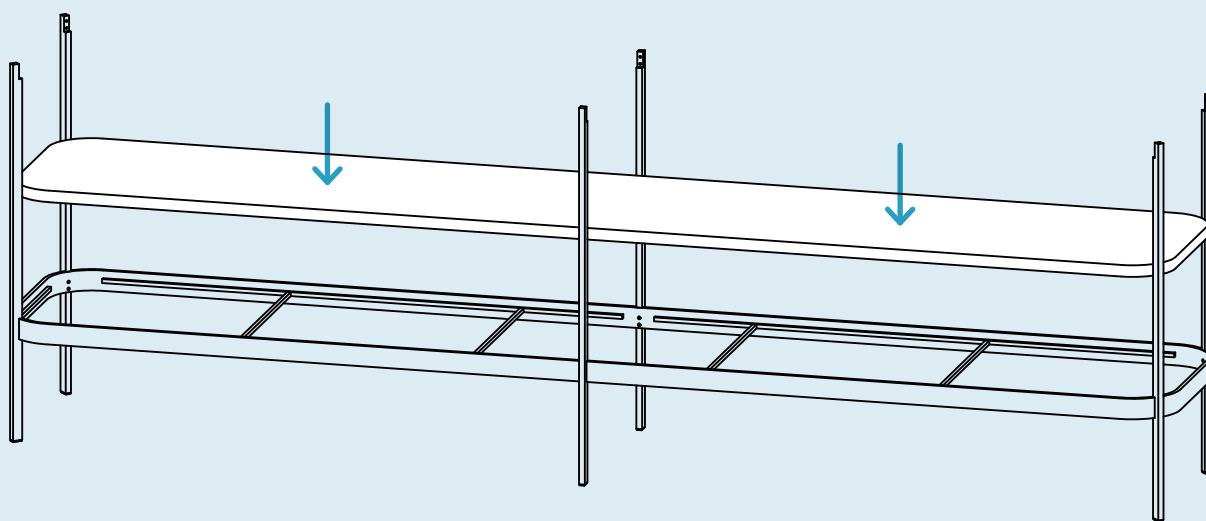
PT. 9003b x 1

## Step 02

### PLACE LOWER SHELF PANEL.

Lift the frame upright and position it in the desired final location.

Carefully place the a shelf panel into the frame with the help of another individual.

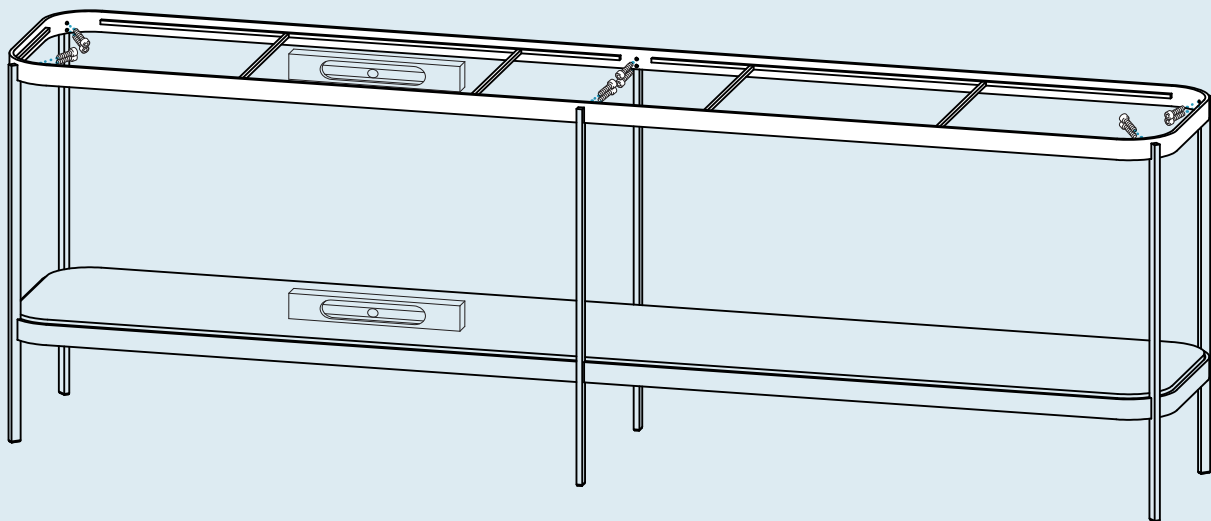


# Step 03

## ATTACH UPPER FRAME.

Attach upper frame using provided hardware as shown.

Ensure that the frame is level and the legs are vertical. Then tighten the hardware that was installed during this and previous steps.



PT. 1704 x 12\*

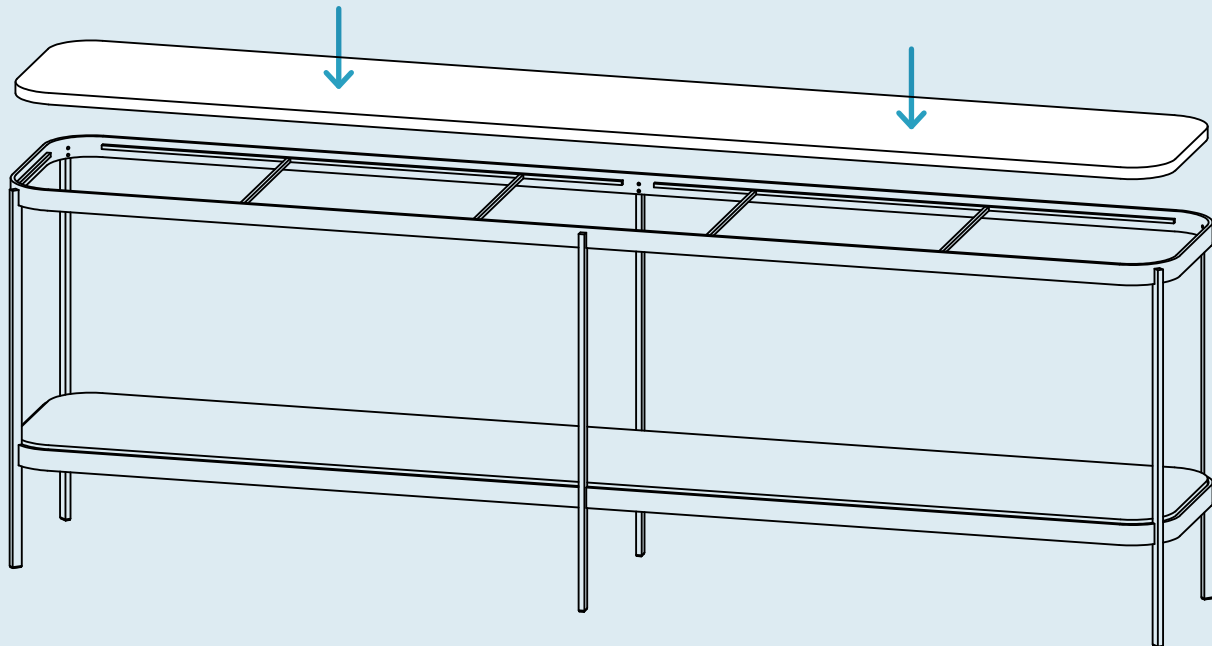


PT. 9003b x 1

## Step 04

### PLACE UPPER SHELF PANEL.

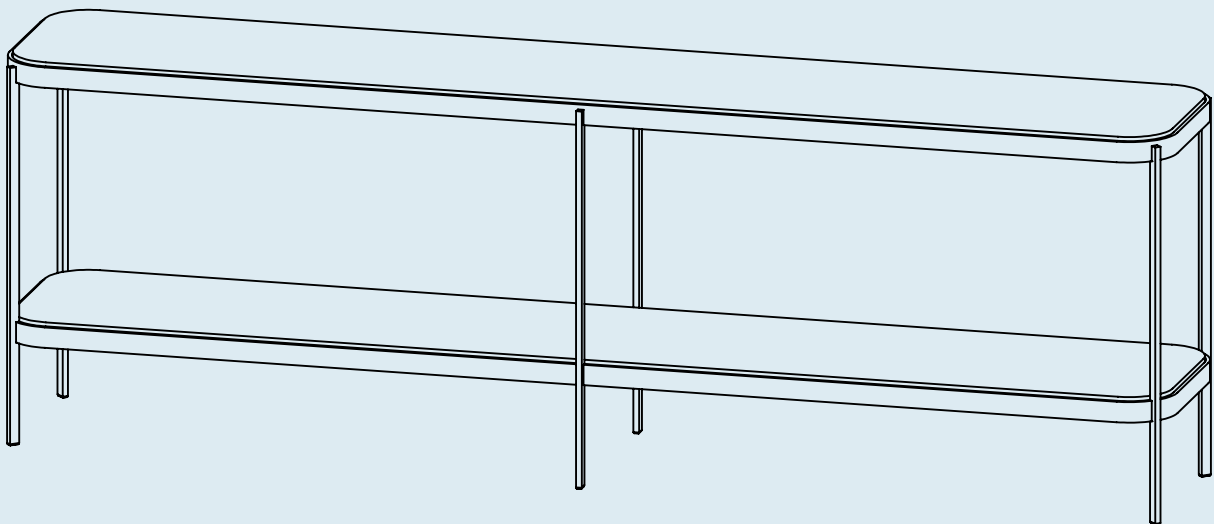
Carefully place the upper shelf panel into the frame with the help of another individual.



## Step 05

### RE-TIGHTEN HARDWARE.

Periodically re-tighten the bolts as needed to ensure that the connections remain strong over time.



## Additional Information

### **CLEAN METAL**

Clean with a slightly damp, soft cloth. To remove dirt and fingerprints, use a quality cleaner formulated for metal furniture. Wipe completely dry with a soft cloth.

### **CLEAN MARBLE**

Clean with a dry soft cloth or sponge.

