

BLU  
DOT

# D3 BOOKCASE

MAIN UNIT

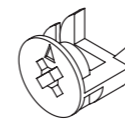
ASSEMBLY NOTES

¿DONDE ESTA  
LA BIBLIOTECA?

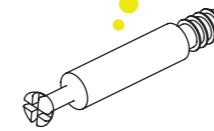


## HARDWARE

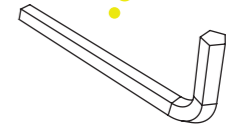
x12  
5018



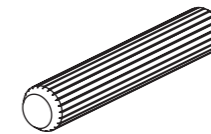
x12  
5002



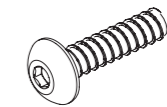
x1  
9004



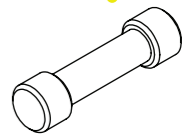
x8  
5013



x4  
1009

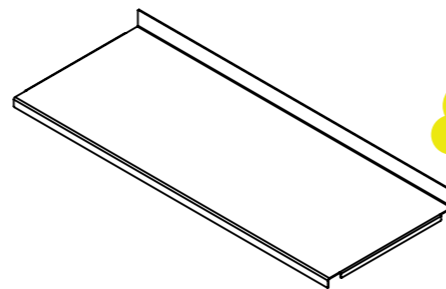


x16  
8012

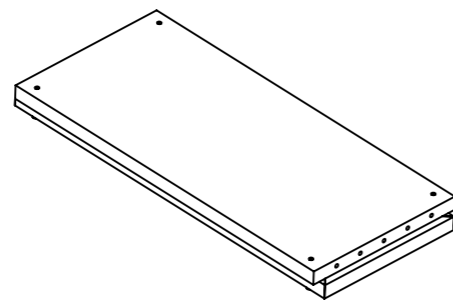


## PARTS

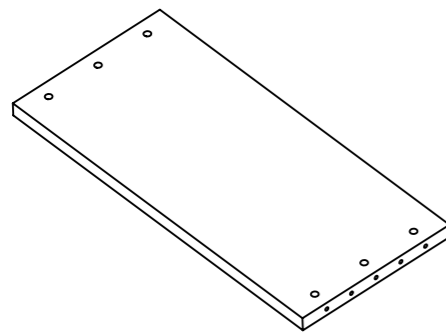
x4



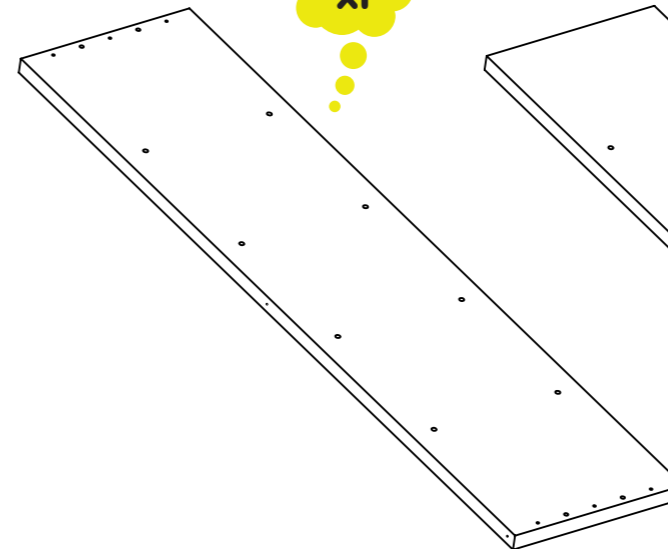
x1



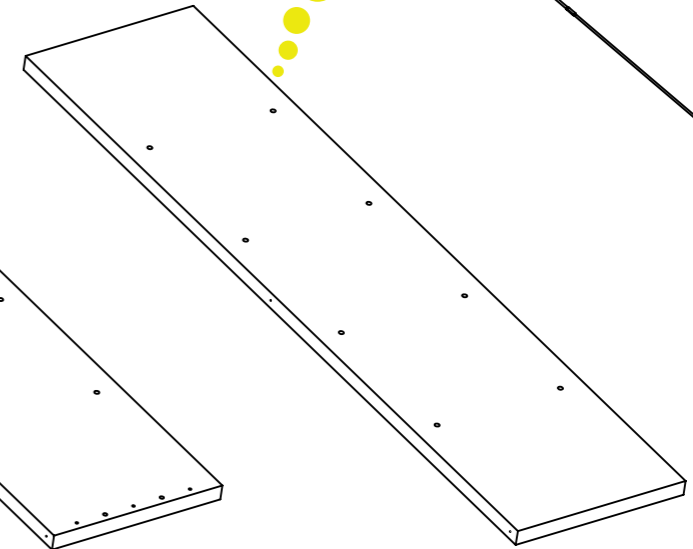
x1



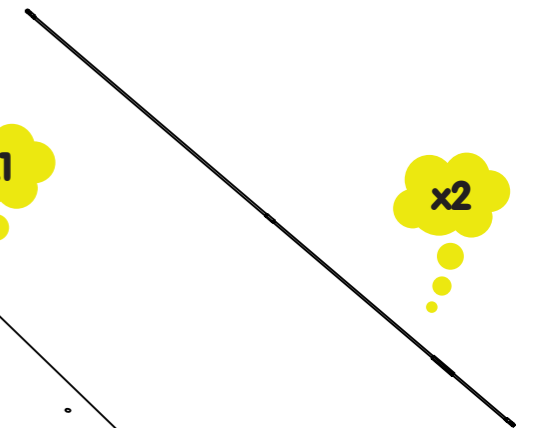
x1



x1



x2

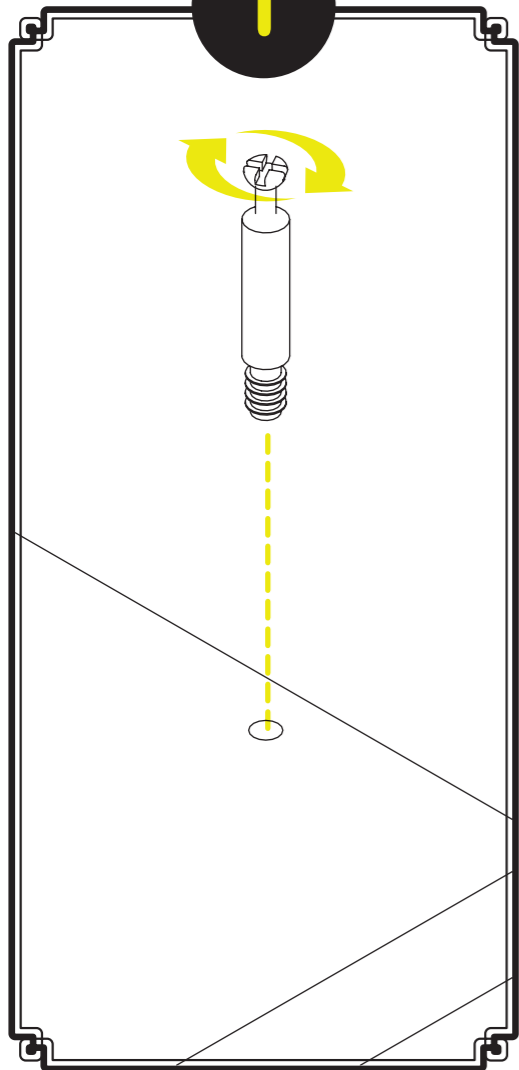




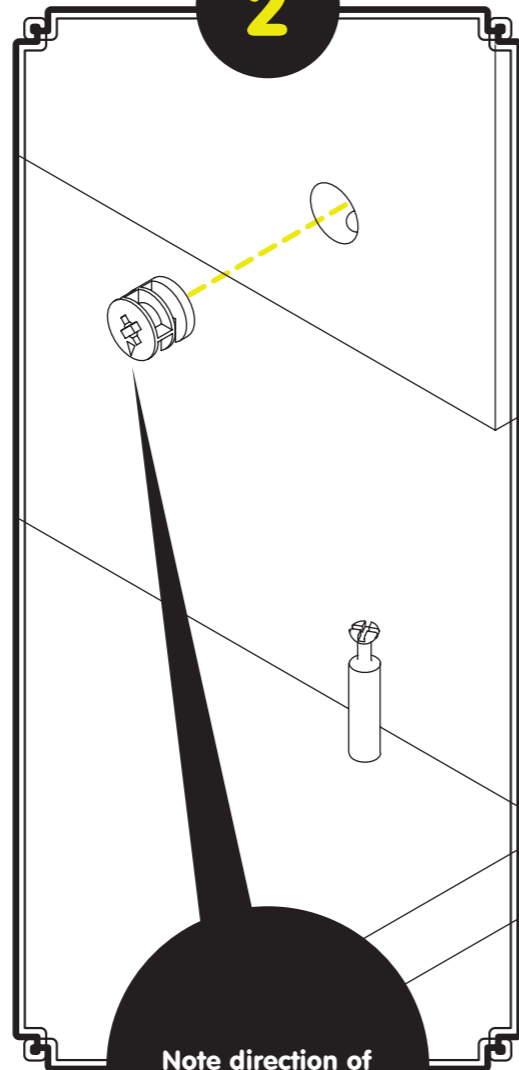
# HOW TO USE CAM LOCK HARDWARE



1

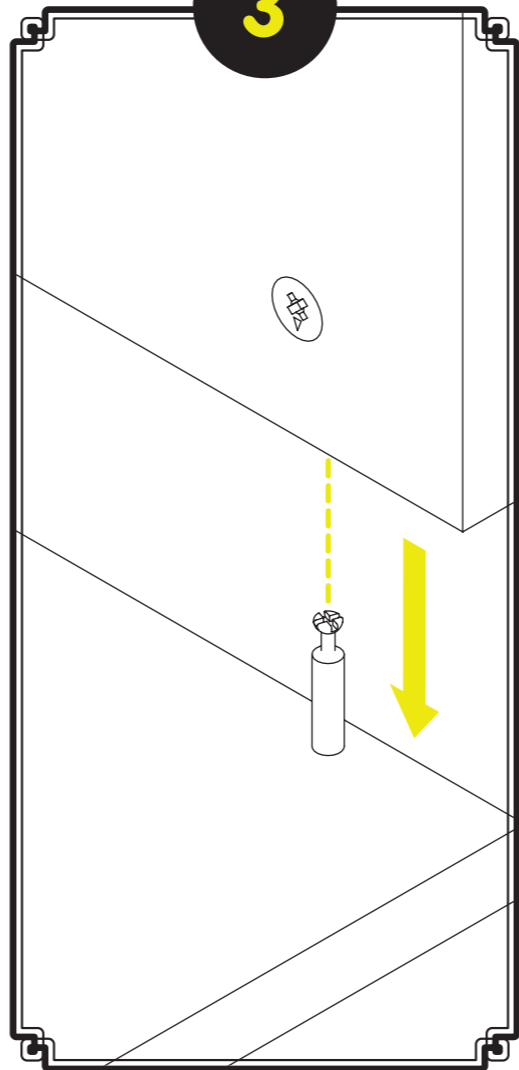


2

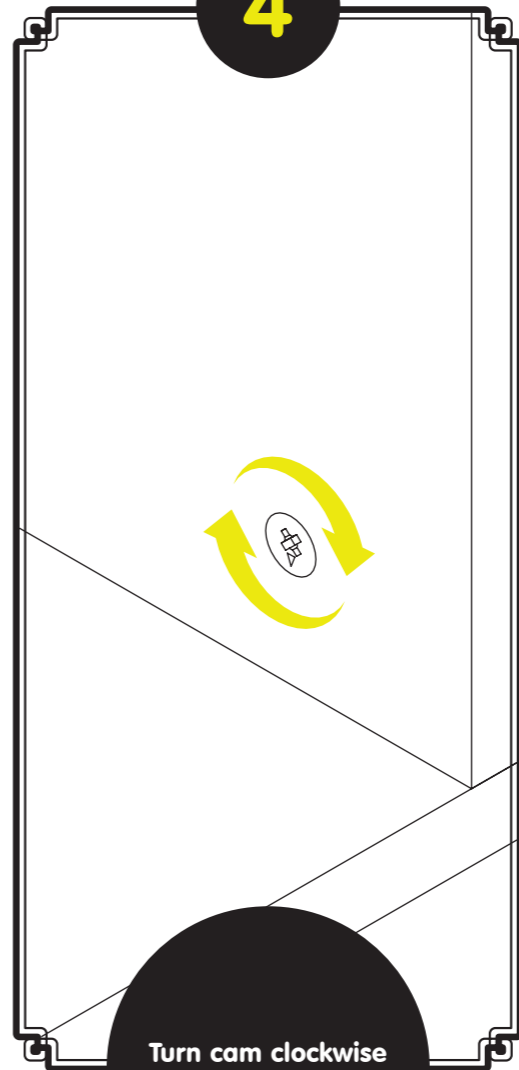


Note direction of arrow on cam

3

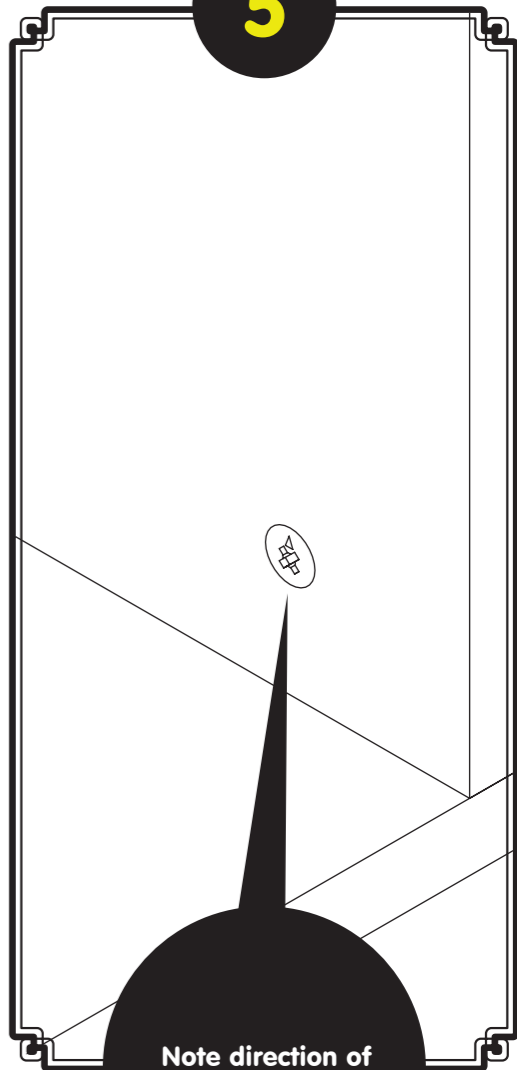


4

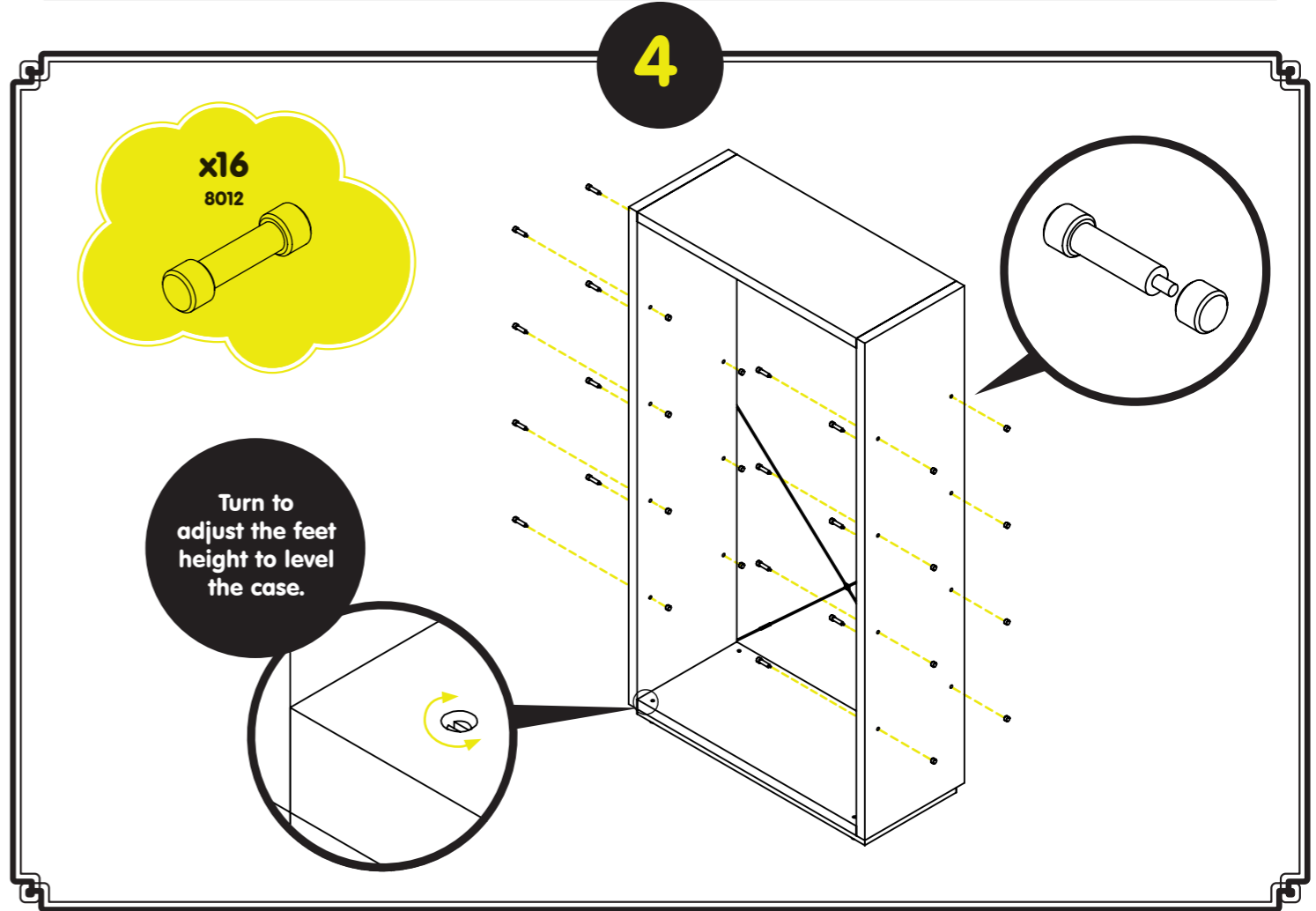
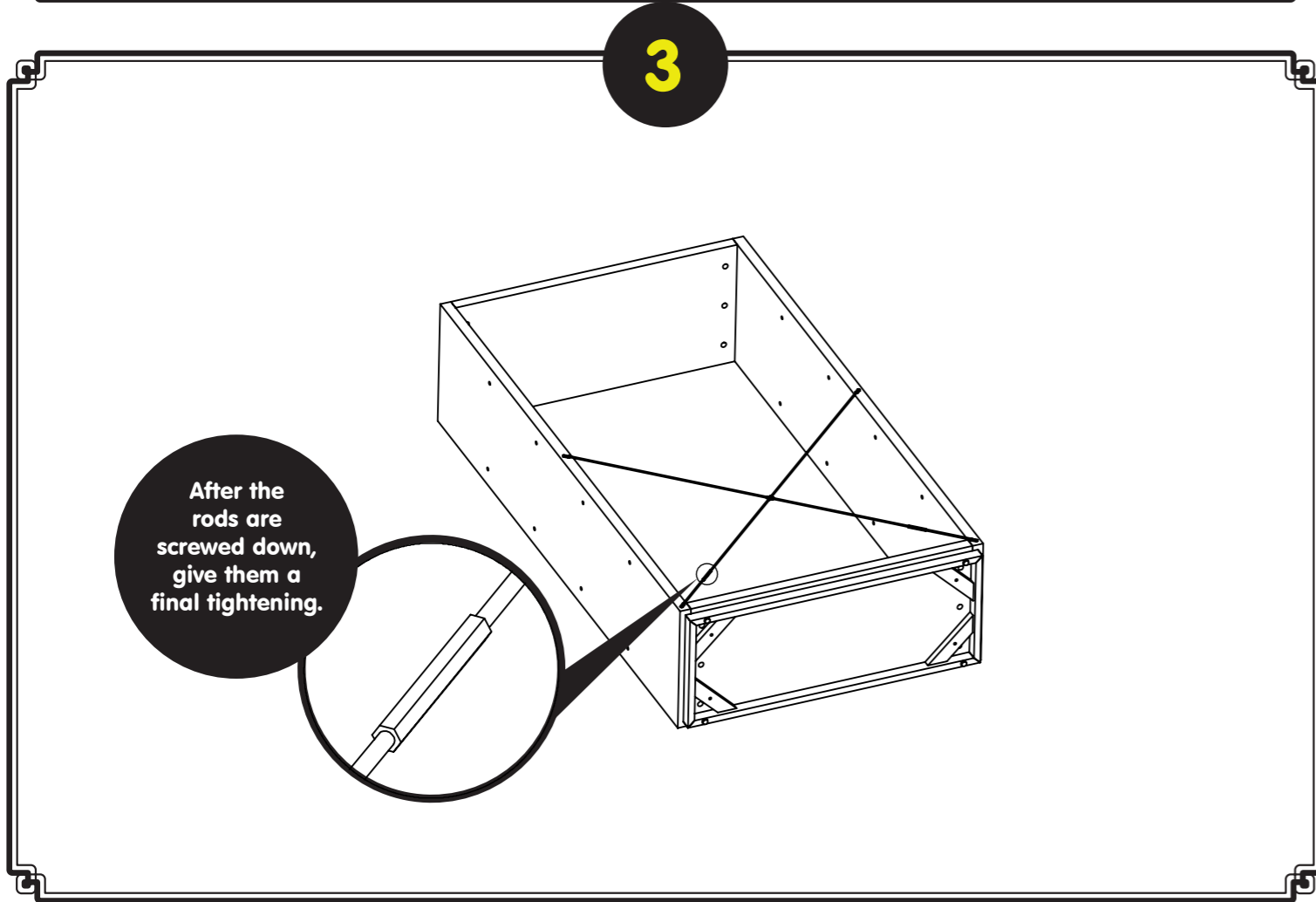
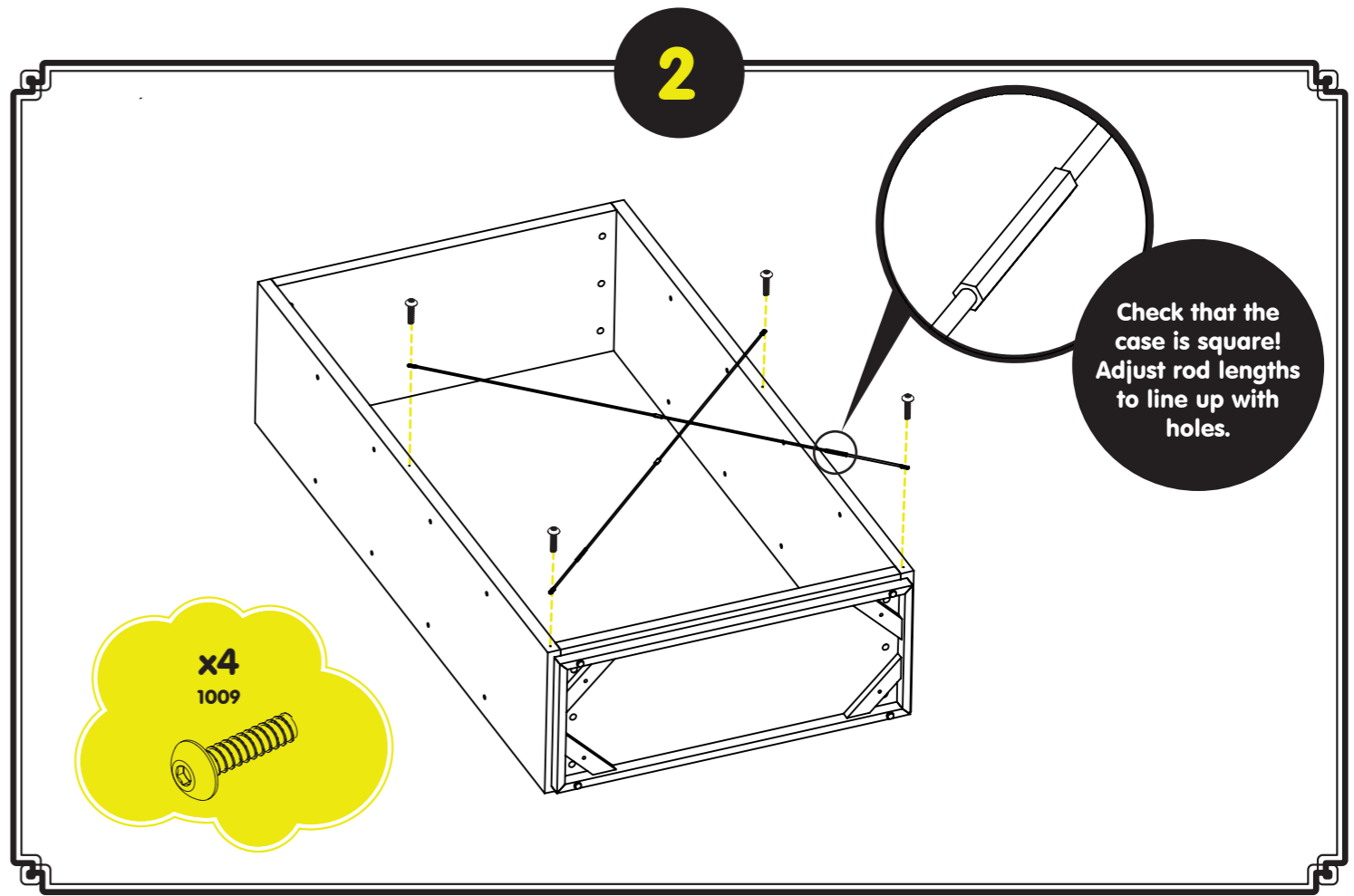
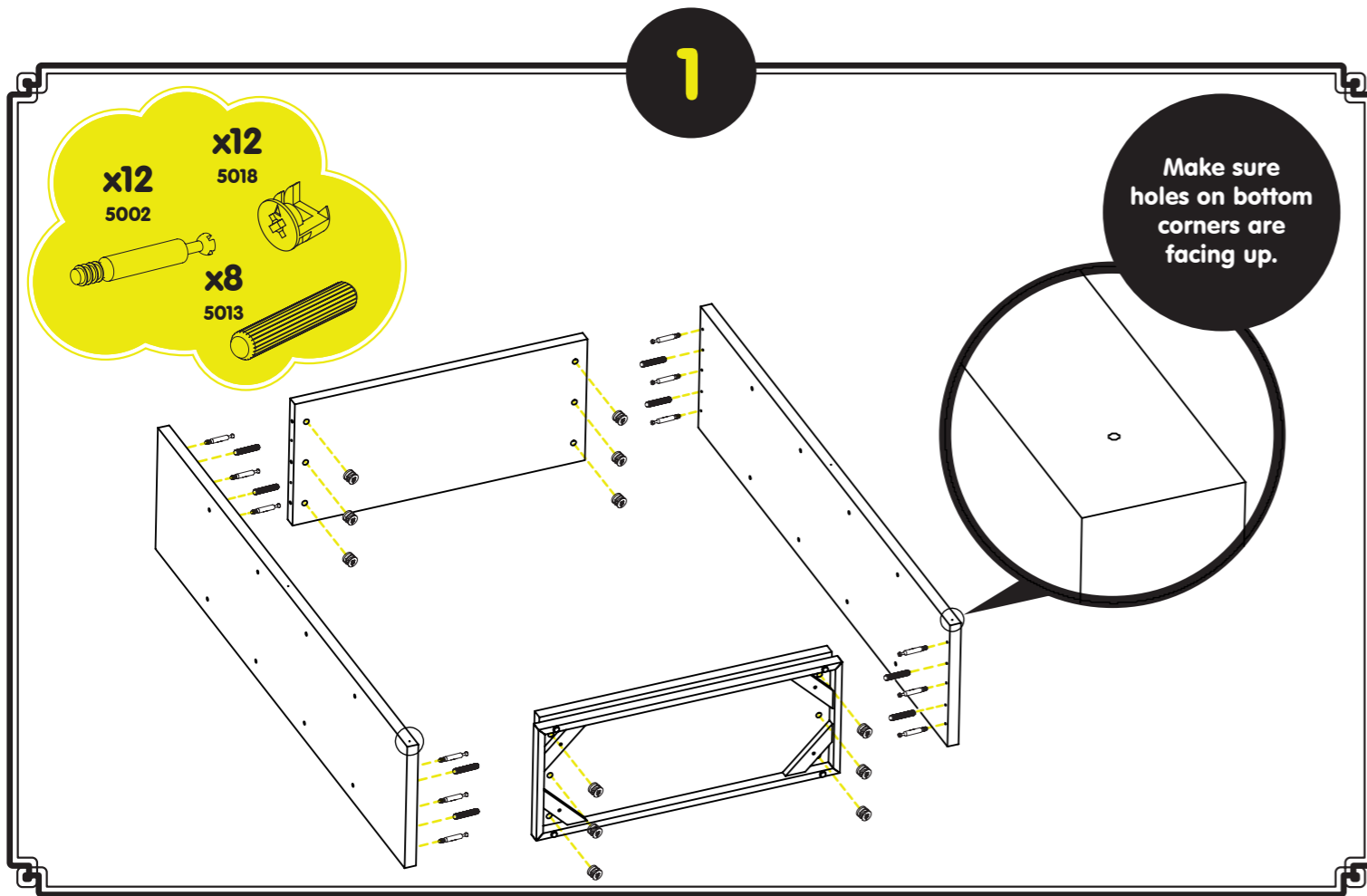


Turn cam clockwise 1/2 turn

5



Note direction of arrow on cam



5

