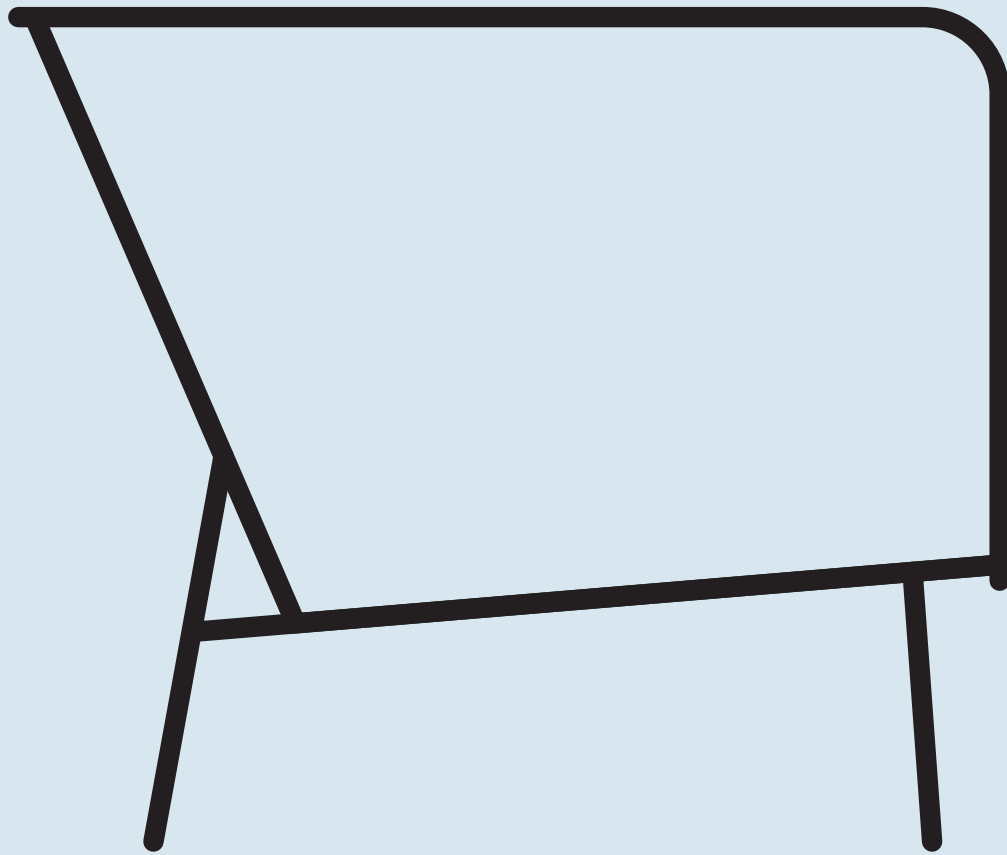


Dandy Collection

DESIGNED IN 2015

ASSEMBLY NOTES | REV 00



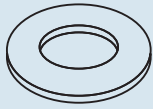
MADE YA LOOK!

High-backed and leggy beauty in search of willing participants for a relaxing and elegant seating encounter. Experience not required.

NEED A HAND?

Contact us at service@bludot.com or **844.425.8368** for assistance.

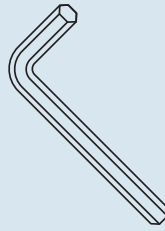
Parts & Hardware



QTY

8*

Pt. 3001



QTY

1

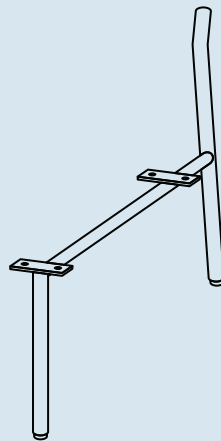
Pt. 9002



QTY

8*

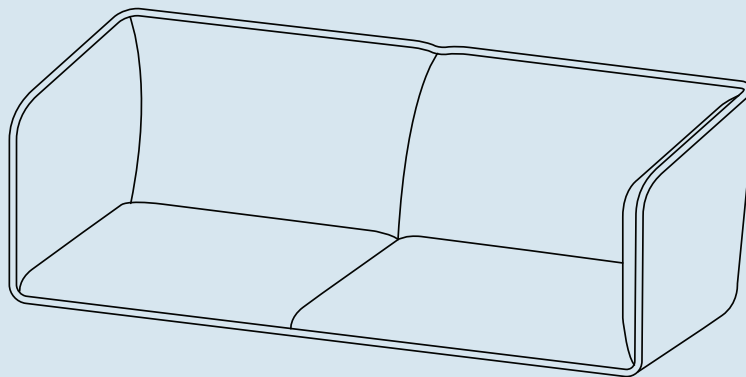
Pt. 1011



QTY

2*

Leg



QTY

5

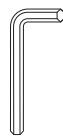
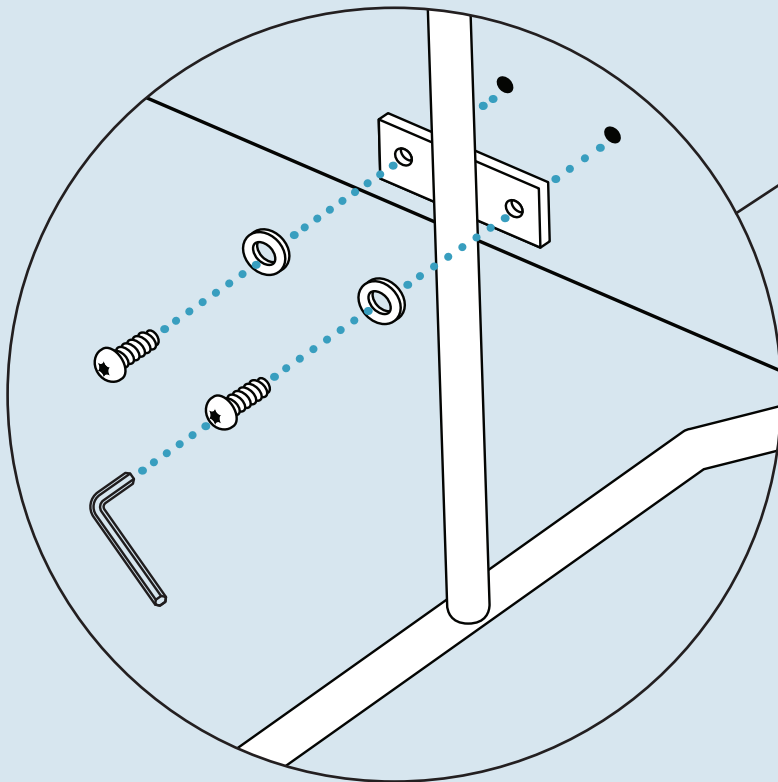
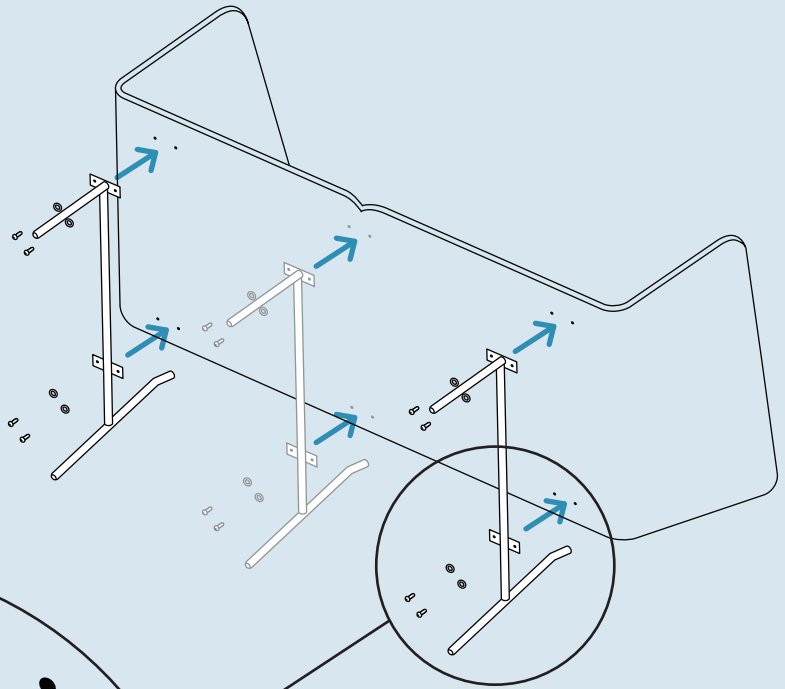
Shell

* 96" Sofa ships with additional hardware: Leg x1 - Pt. 3007 x4 - Pt. 1011 x4

Step 01

ATTACH THE LEGS.

Attach legs using the provided hardware as shown.



PT. 9002 x 1



PT. 3007 x 8*



PT. 1011 x 8*

Additional Information

CLEAN

Vacuum your upholstery regularly.

SPILLS

Act quickly with spills. Absorb the spill with a clean white cloth or paper towel. Never rub the surface. Do not use water or other liquids to clean, as they may stain the fabric. Consult a commercial cleaning specialist for removal of stubborn stains.

AVOID

Keep upholstery & felt furniture out of direct sunlight and away from heat sources; excessive exposure to sunlight may fade the color of the upholstery. Avoid placing heavy or sharp objects on the furniture surface for long periods of time; this can cause permanent indentations in the fabric. For snags in the fabric, tuck loose threads into fabric or carefully push to reverse side. Never pull out or cut off loose threads.

