

BLU
DOT

DESK 51

ASSEMBLY NOTES

AS EASY AS
1 - 2 - 3!



CARE

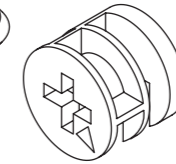
Clean desk top and powder-coated steel legs with a soft cloth or sponge using a mild detergent, such as dish soap, and warm water. Wipe completely dry with a soft cloth.

HARDWARE

x1
9002



x8
5001



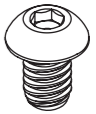
x4
5002



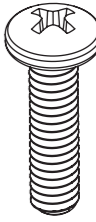
x4
5006



x4
1005

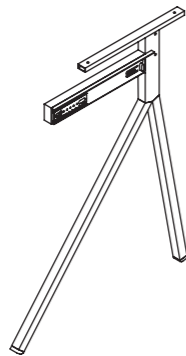


x2
1050

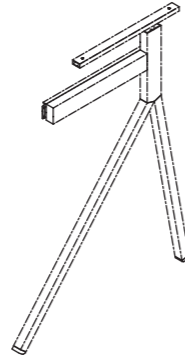


PARTS

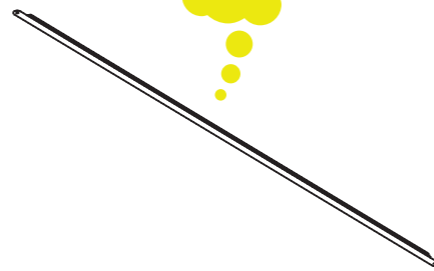
x1



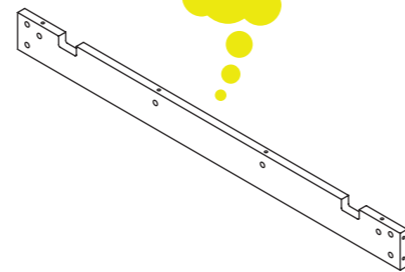
x1



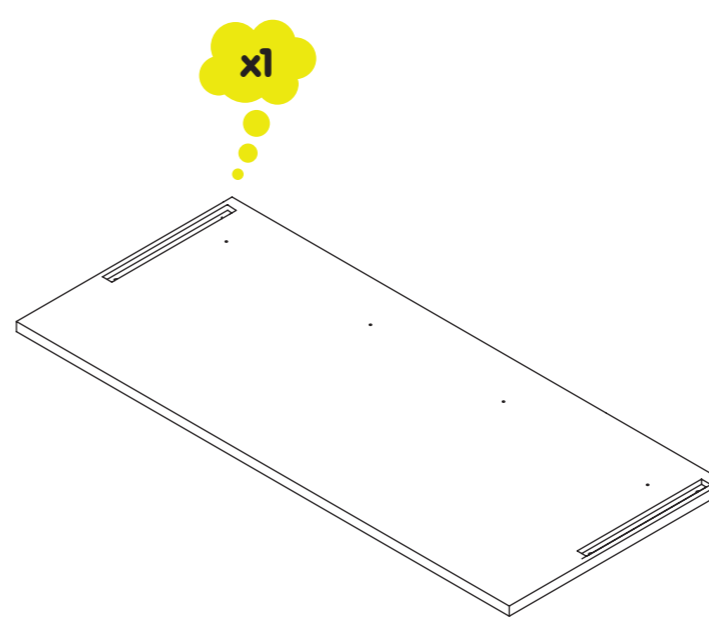
x1



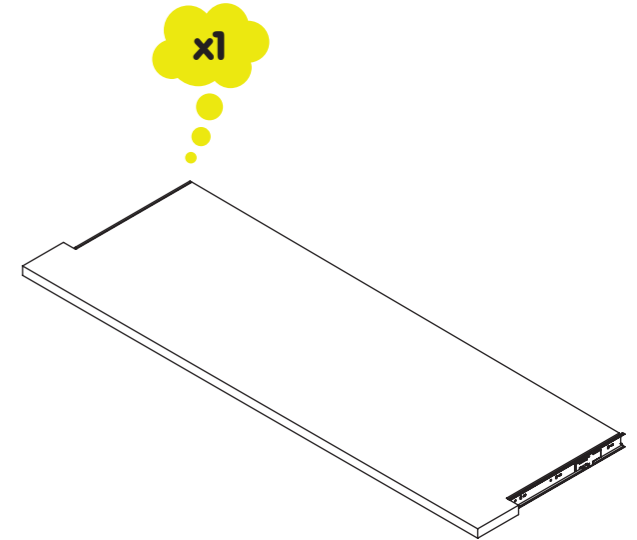
x1



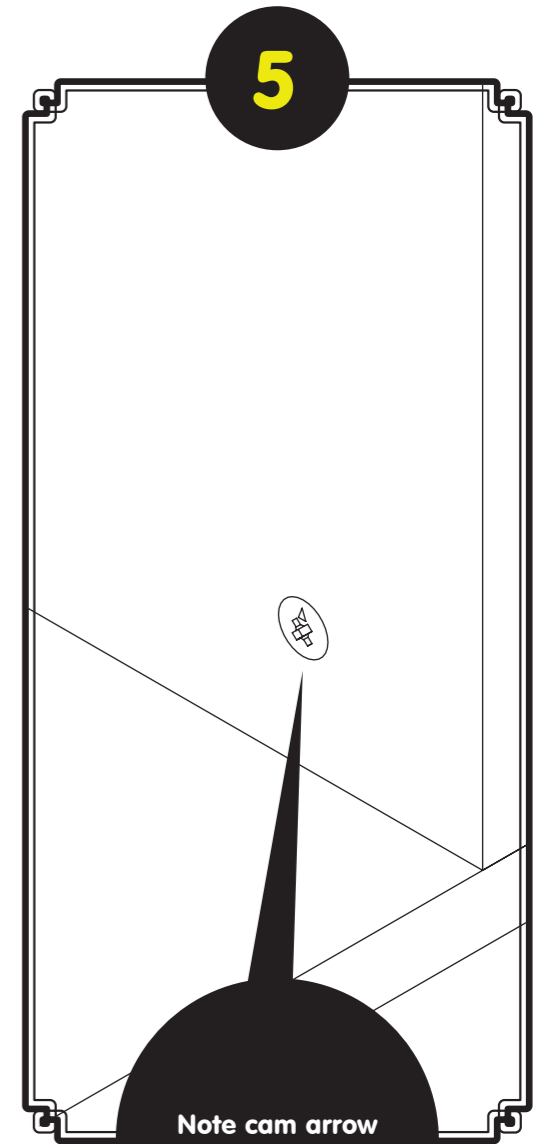
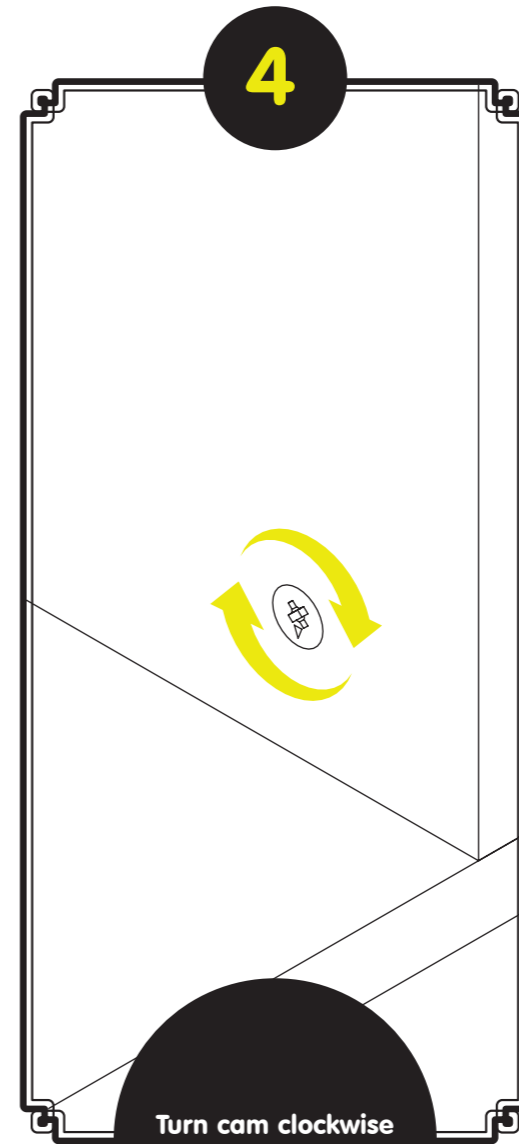
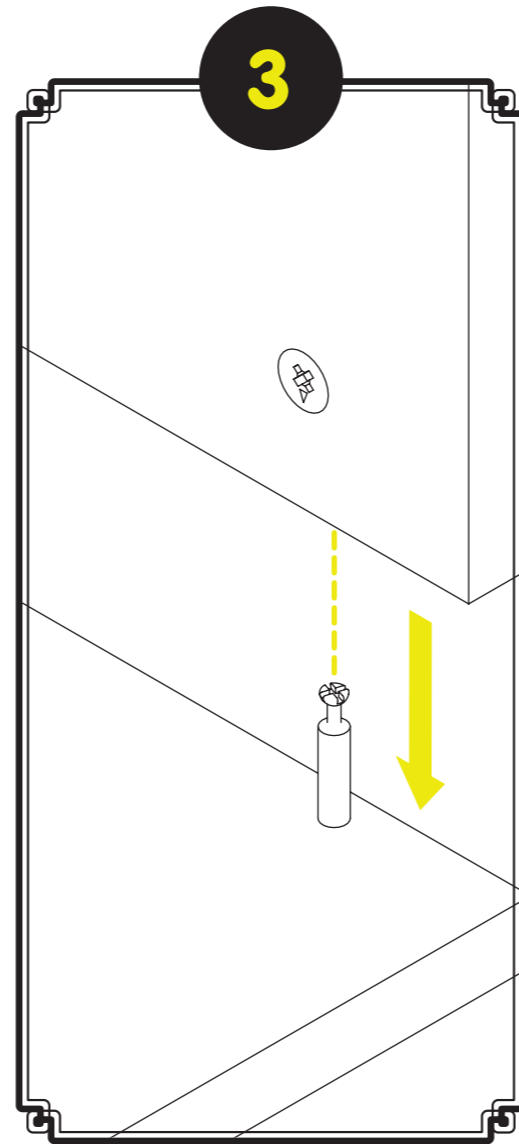
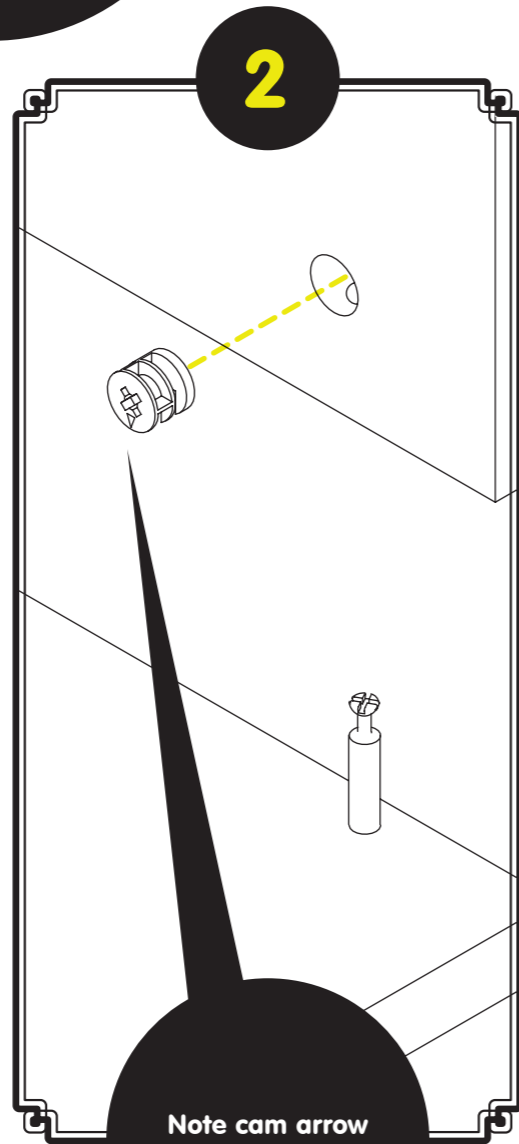
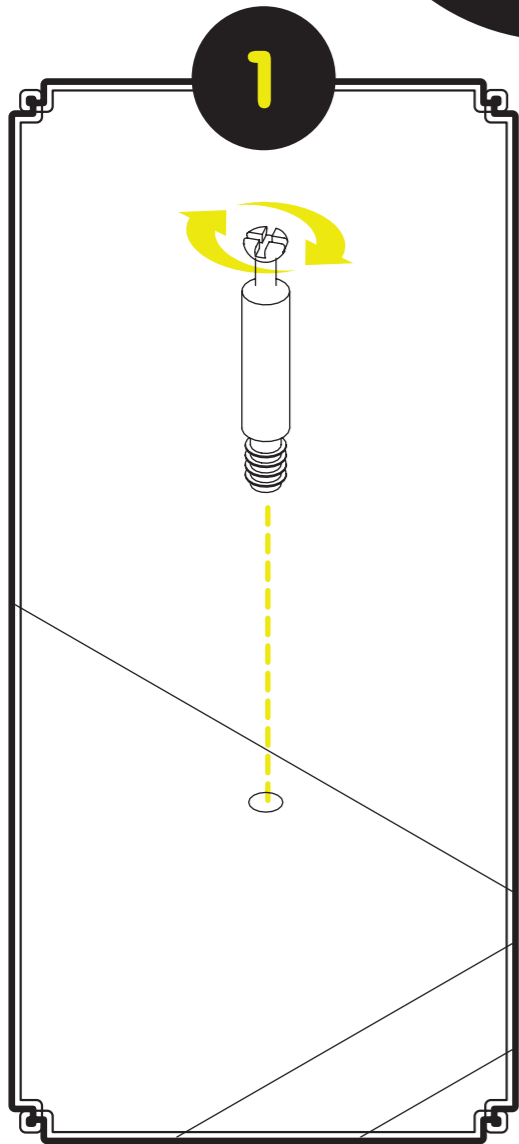
x1



x1

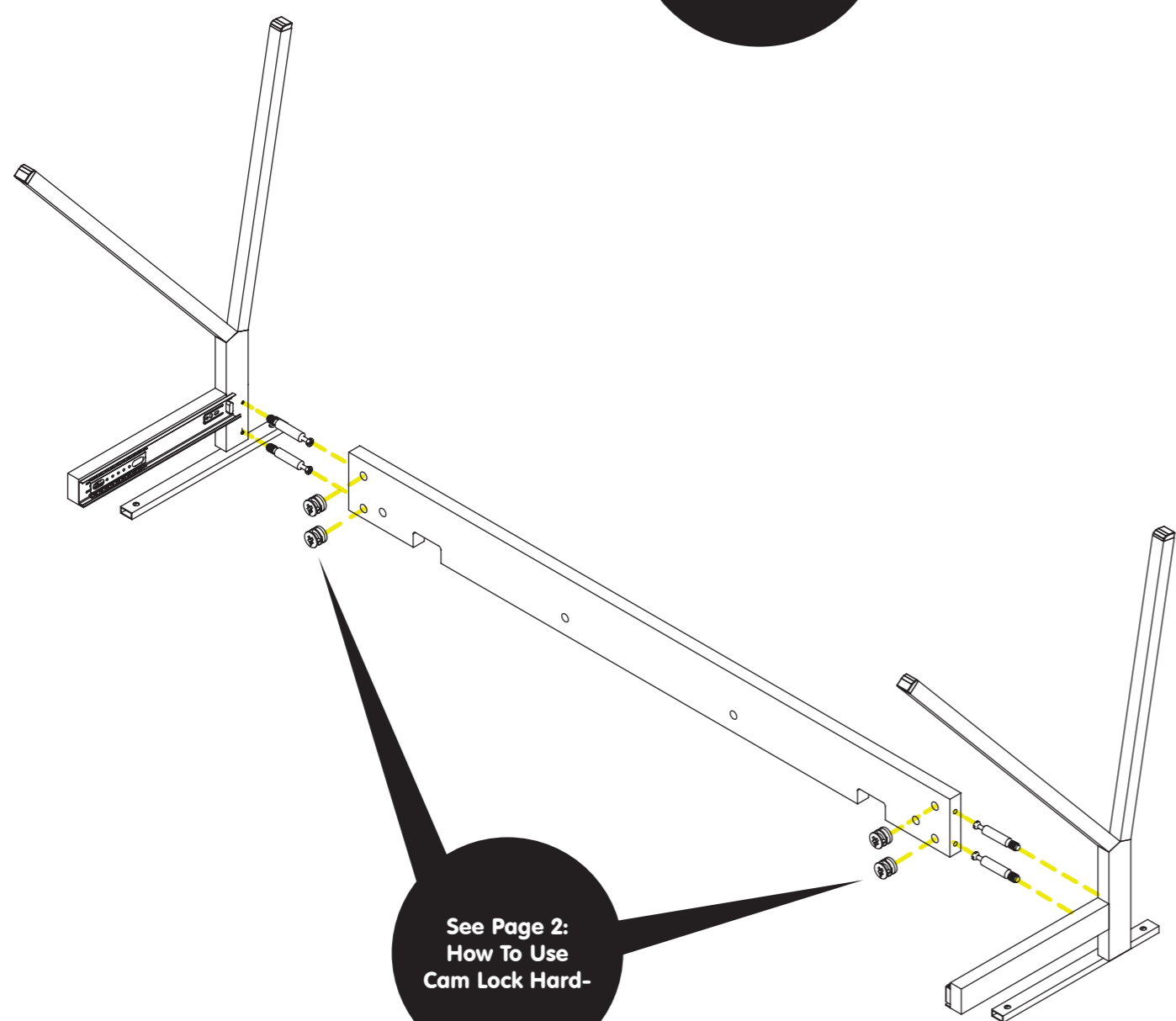


HOW TO USE CAM
LOCK HARDWARE

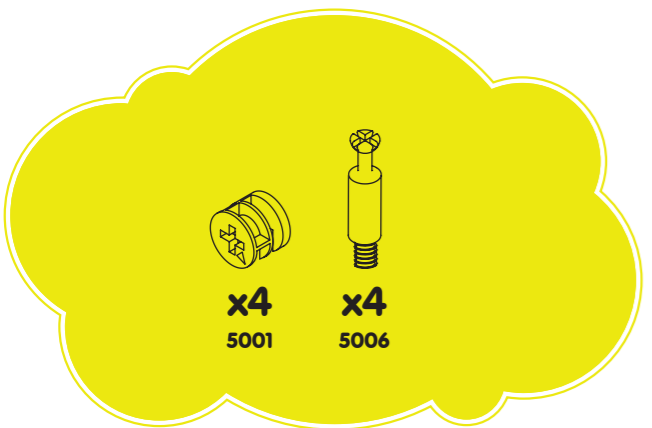


1

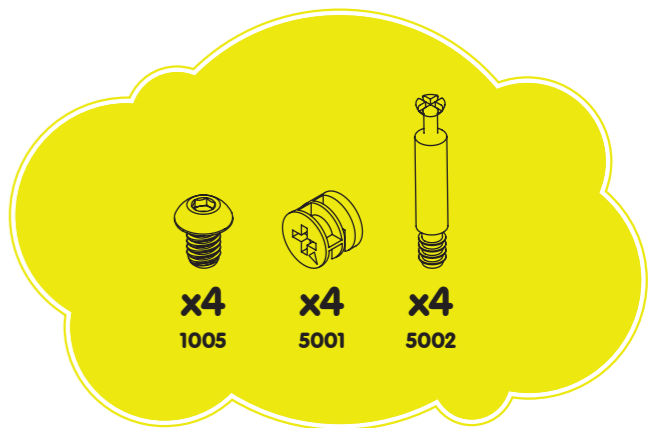
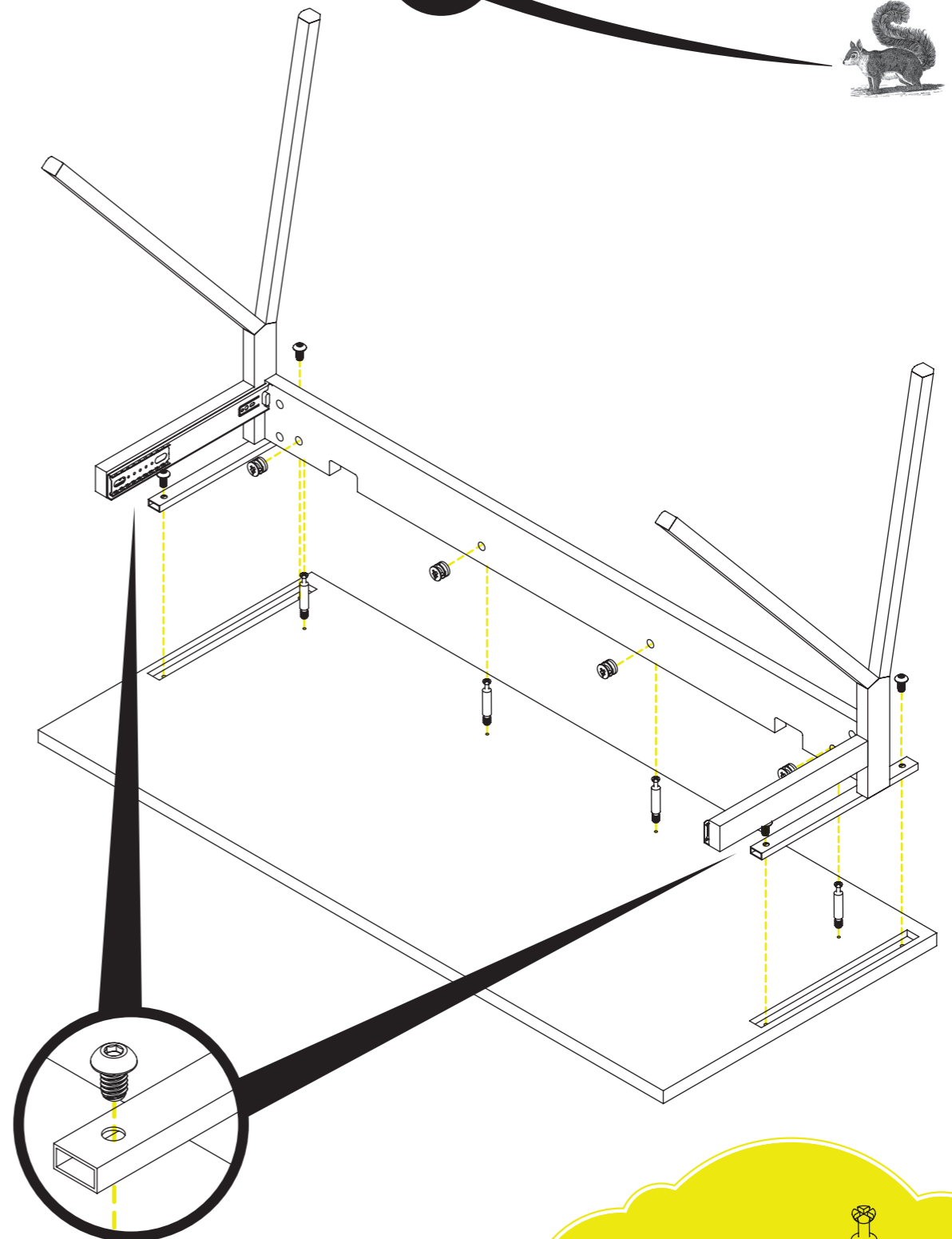
Assemble on carpet or protective mat



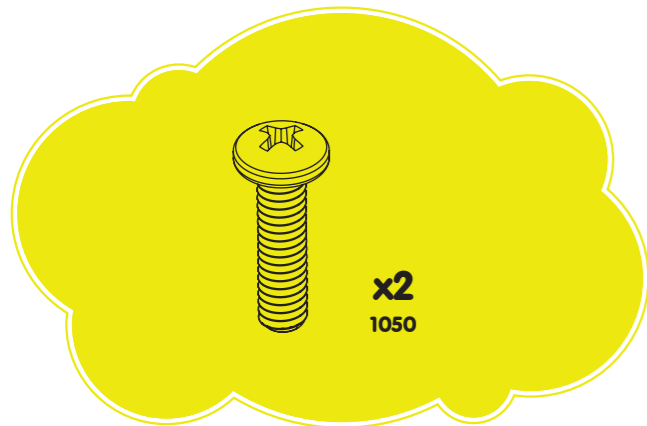
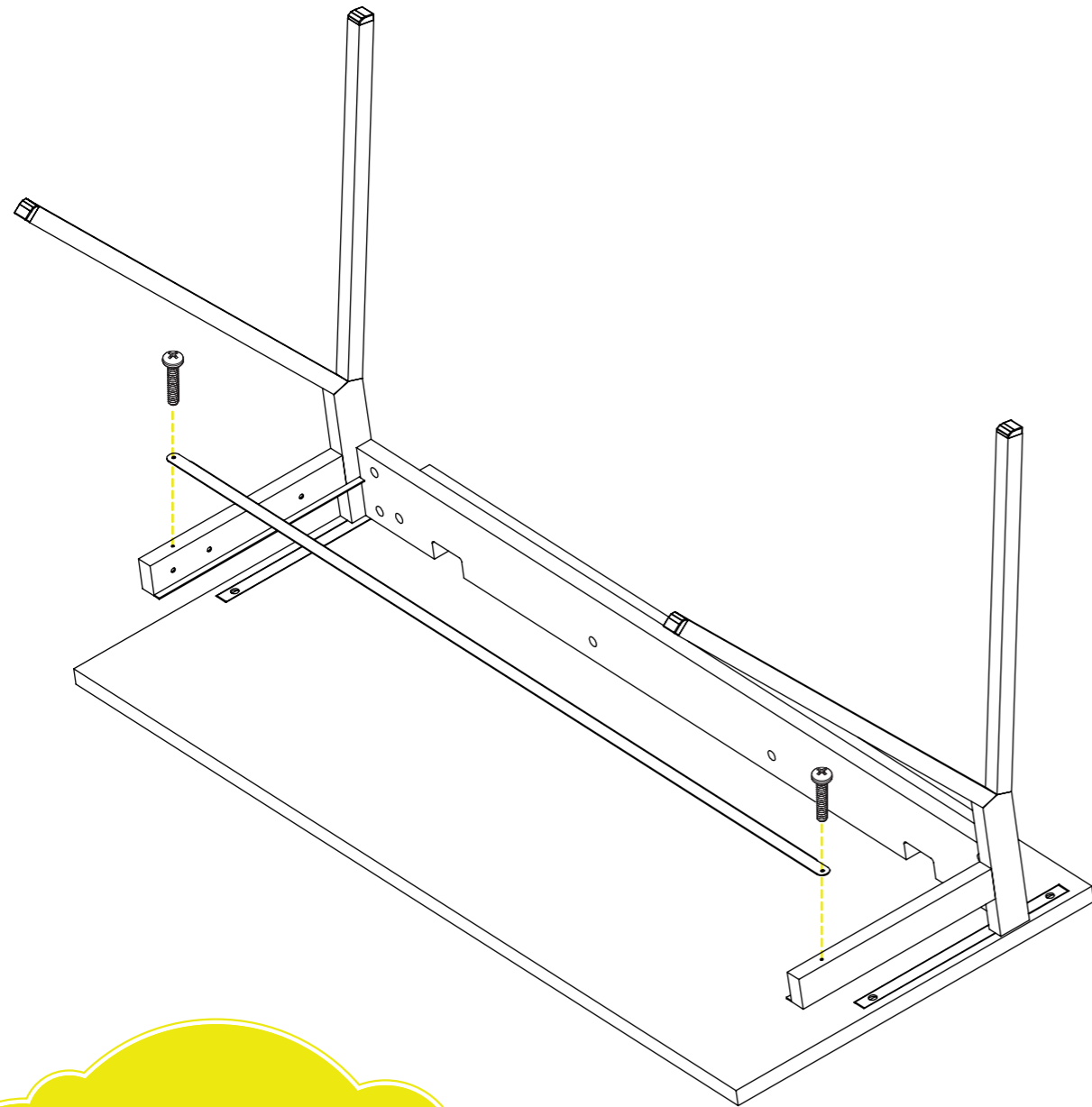
See Page 2:
How To Use
Cam Lock Hard-



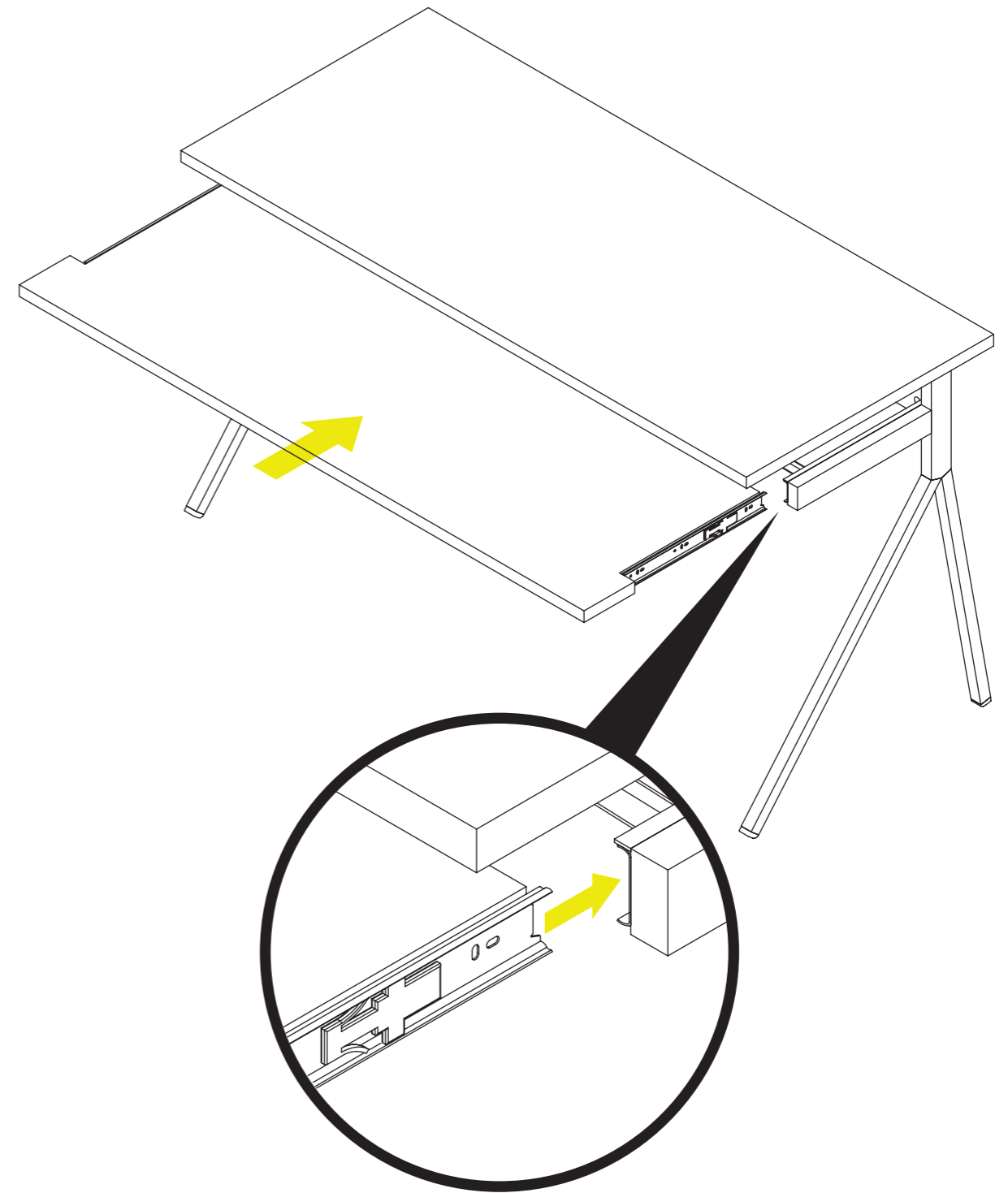
2



3



4



NOTE

To remove the tray:
push and hold tabs in
while pulling the tray
out

