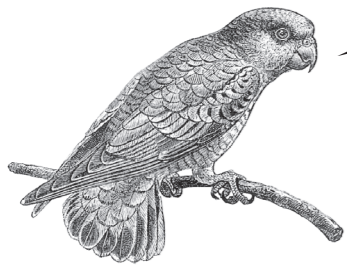
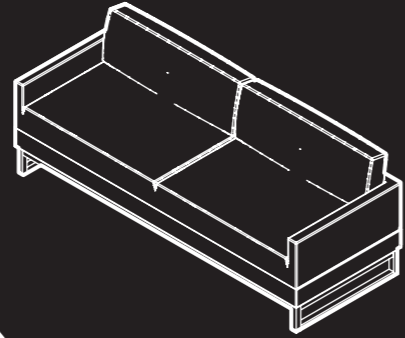


BLU
DOT

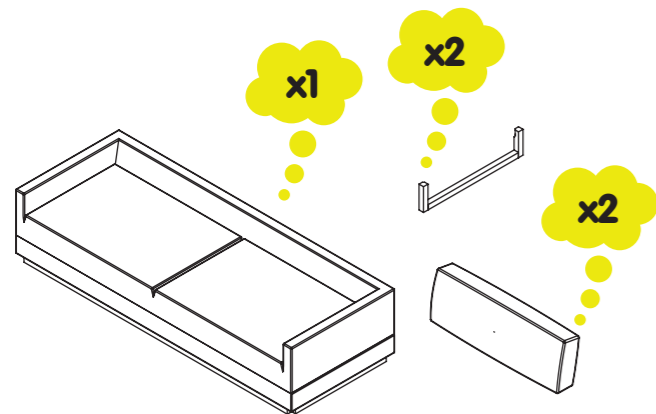
THE DIPLOMAT

ASSEMBLY NOTES

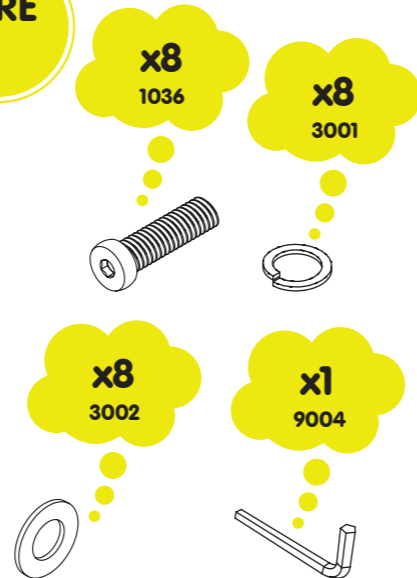
1, 2, AND YOU'RE
THROUGH!



PARTS

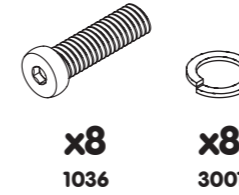
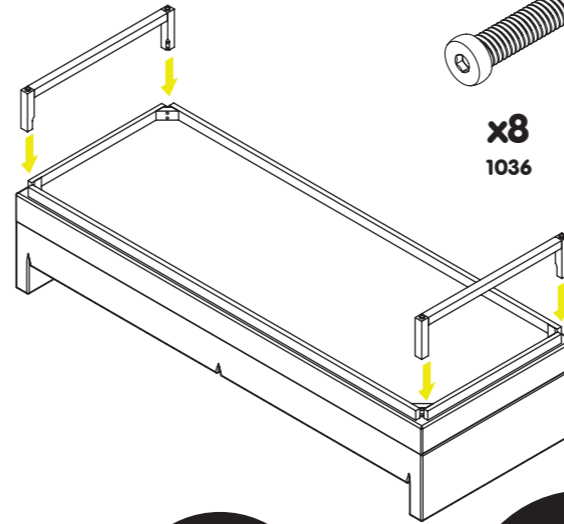
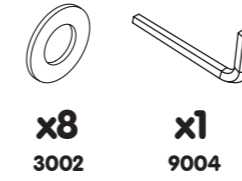


HARDWARE

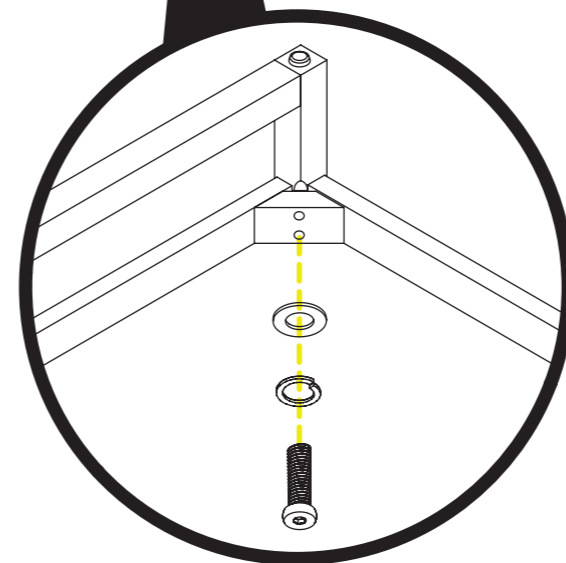
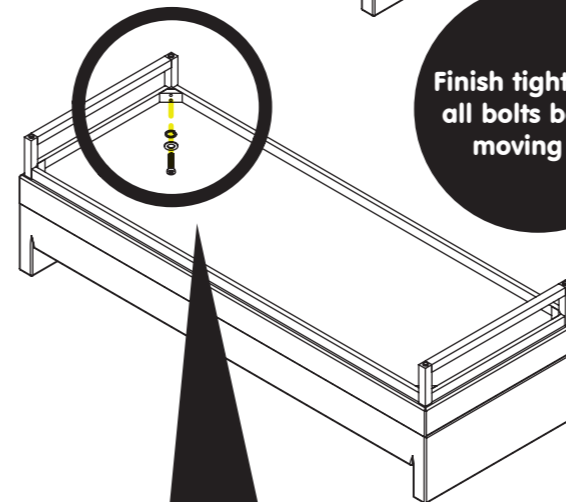


1

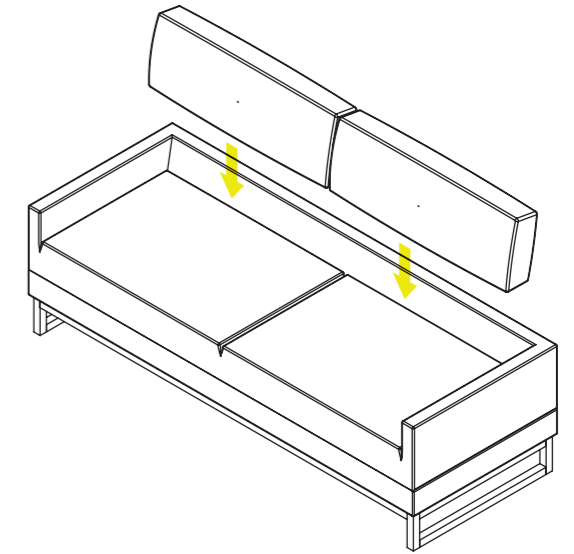
To begin, partially
tighten all bolts.



Finish tightening
all bolts before
moving on.

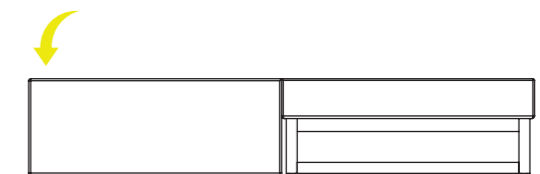
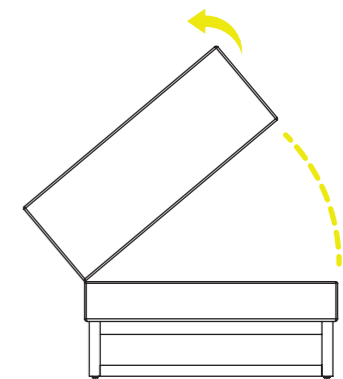
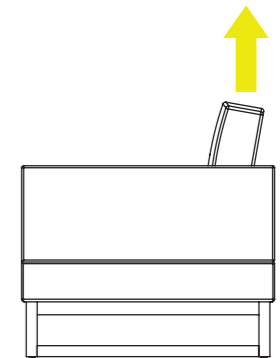


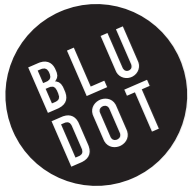
2



CONVERT
TO SLEEPER

SIDE VIEW





**THE
DIPLOMAT**
UPHOLSTERY CARE

KEEP IT CLEAN,
JIMMY!

CLEAN

Vacuum your upholstery regularly

Clean wood base with a slightly damp, soft cloth. To remove dirt and fingerprints, use a quality cleaner formulated for wood furniture. Wipe completely dry with a soft cloth in the direction of the wood grain.

AVOID

Keep upholstery felt furniture out of direct sunlight and away from heat sources; excessive exposure to sunlight may fade the color of the upholstery. Avoid placing heavy or sharp objects on the furniture surface for long periods of time; this can cause permanent indentations in the fabric. For snags in the fabric, tuck loose threads into fabric or carefully push to reverse side. Never pull out or cut off loose threads.

SPILLS

Act quickly with spills. Absorb the spill with a clean white cloth or paper towel. Never rub the surface. Spot clean with dry cleaning fluid. Do not use water or other liquids to clean, as they may stain the fabric. Consult a commercial cleaning specialist for removal of stubborn stains.