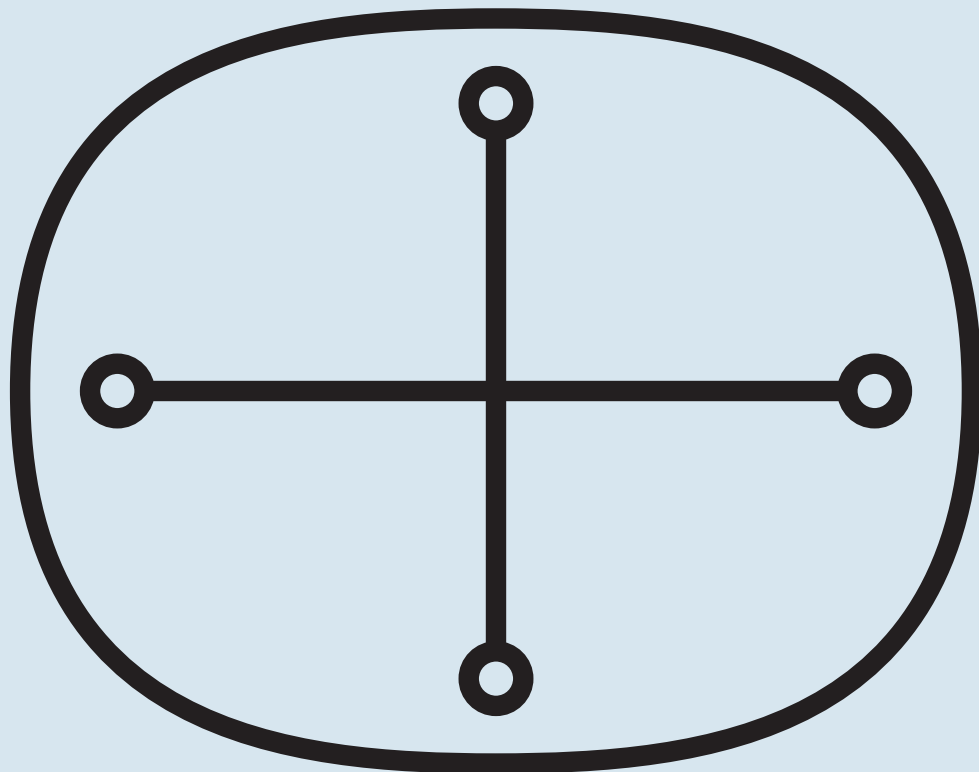
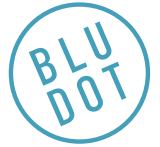


Flume Collection

DESIGNED IN 2016

ASSEMBLY NOTES | REV 00



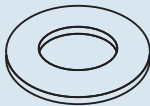
SEE THROUGH IT.

Oval and round smoked glass tops get eye-catching support from a crisp architectural black powdered coated steel base.

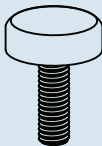
NEED A HAND?

Contact us at service@bludot.com or **844.425.8368** for assistance.

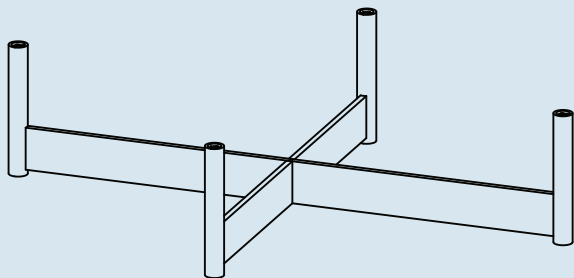
Parts & Hardware



QTY 8
Pt. 3011



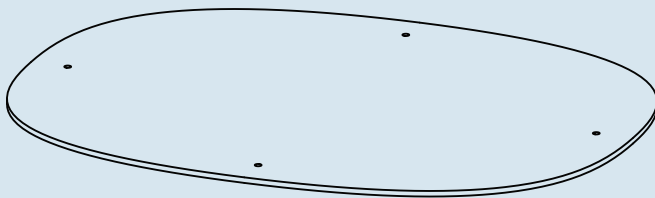
QTY 4
Pt. 1085



QTY 1
Base



QTY 4
Leg

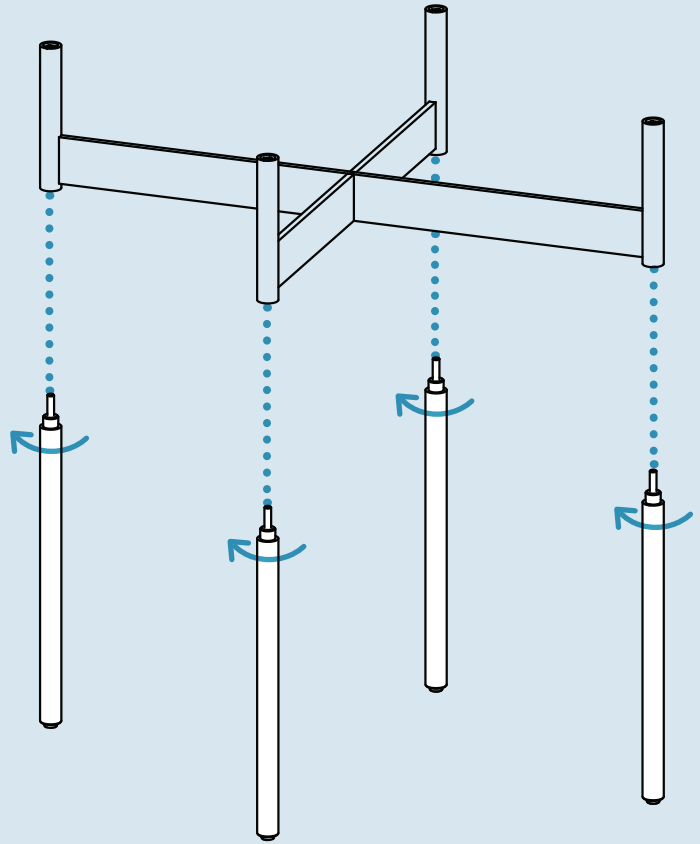


QTY 1
Top

Step 01

INSTALL LEGS.

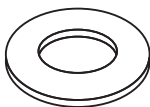
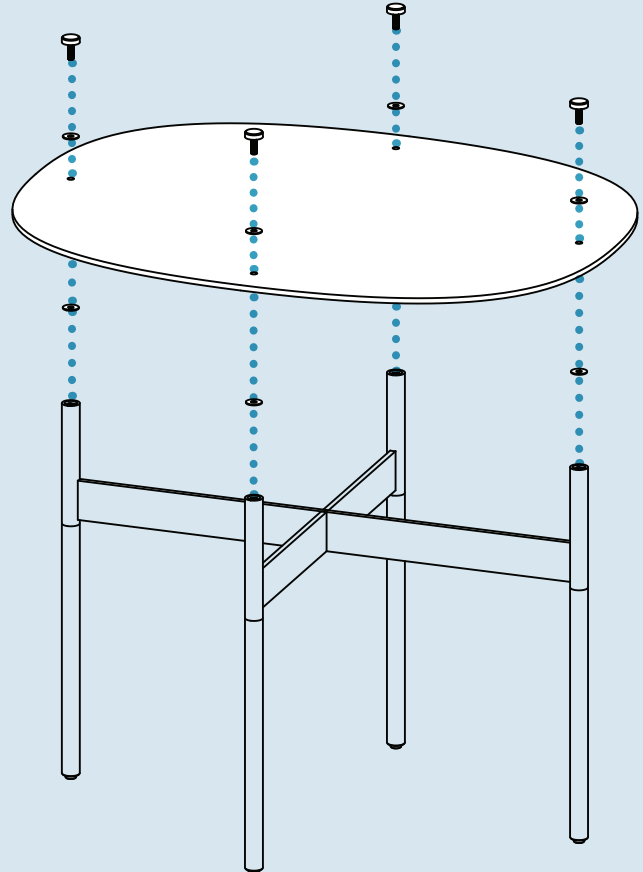
Thread legs onto the metal base.



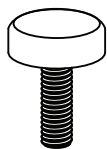
Step 02

ATTACH TOP.

Attach the top panel using the provided hardware.



Pt. 3011 x 8

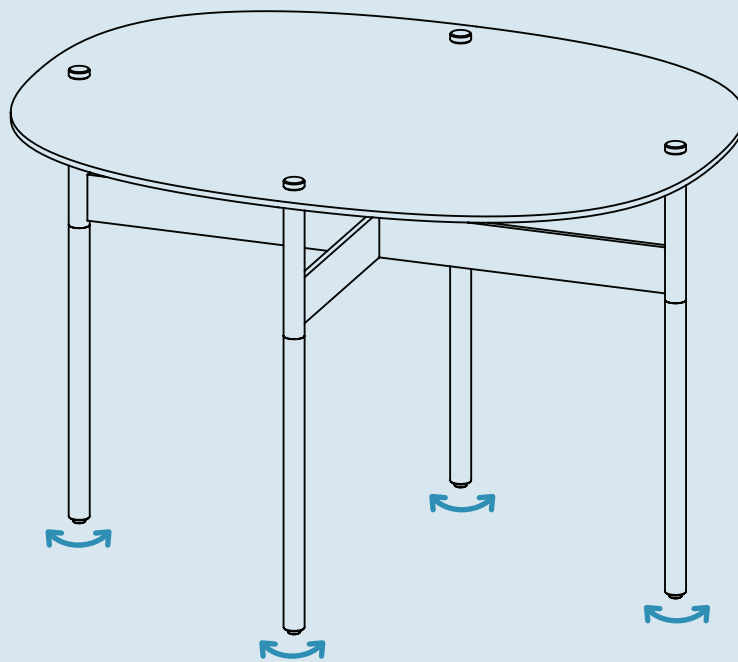


Pt. 1085 x 4

Step 03

LEVEL TABLE.

Using the adjustable feet, level the table prior to first use.



Additional Information

CLEAN

Clean with a slightly damp, soft cloth. To remove dirt and fingerprints, use a quality cleaner formulated for glass surfaces. Do not use abrasive cleaners.

