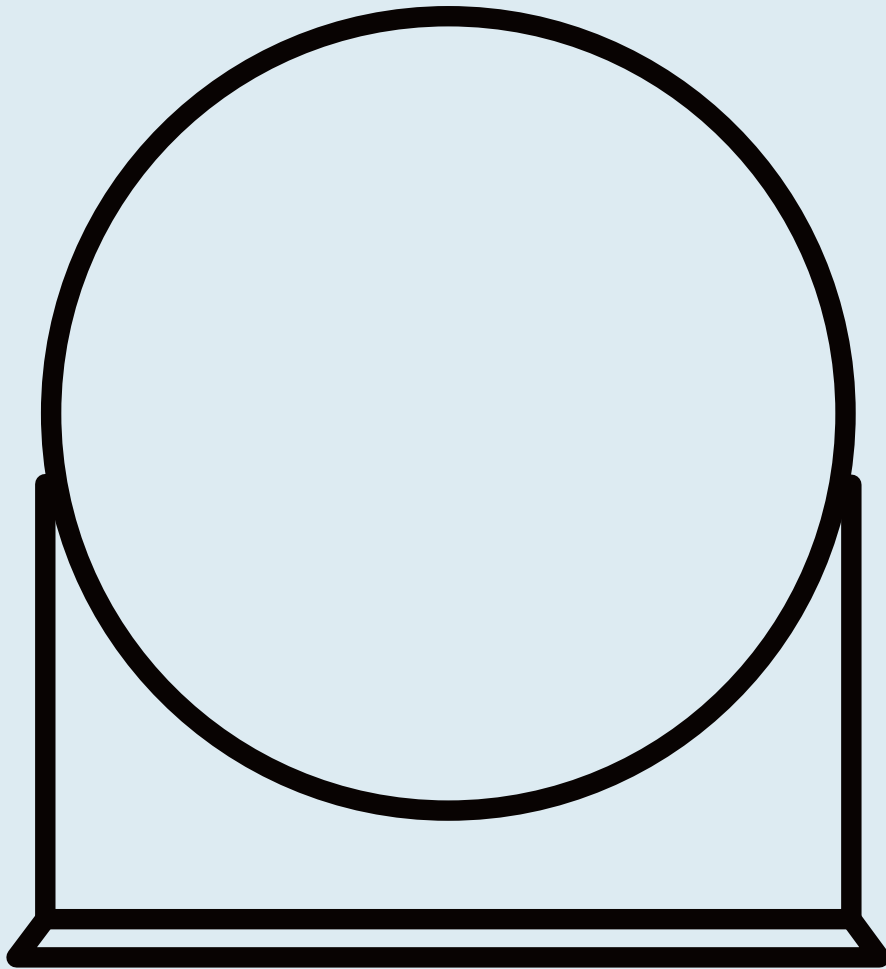
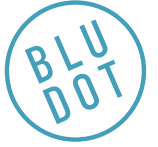


Glance Mirror

DESIGNED IN 2021

ASSEMBLY NOTES | REV 00



NEED A HAND?

Contact us at service@bludot.com or **844.425.8368** for assistance.

@BLUDOT

We design all our pieces in our Minneapolis studio. Follow along on Instagram for some sneak peeks into the process.

Parts & Hardware



QTY

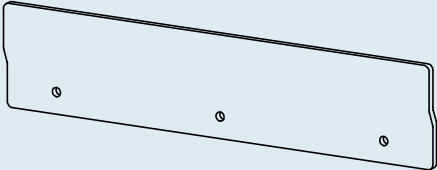
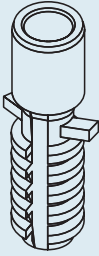
3

QTY

3

Pt. 1202

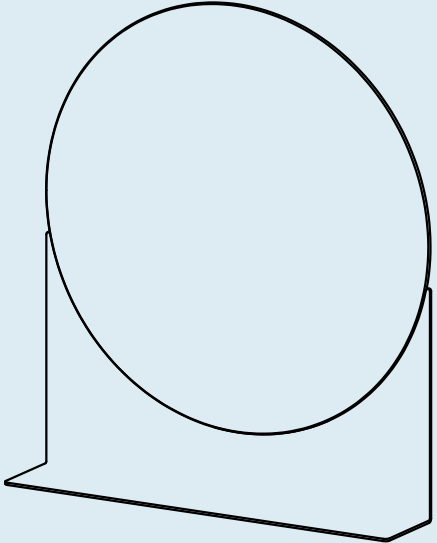
Pt. 8036



QTY

1

Wall Cleat



QTY

1

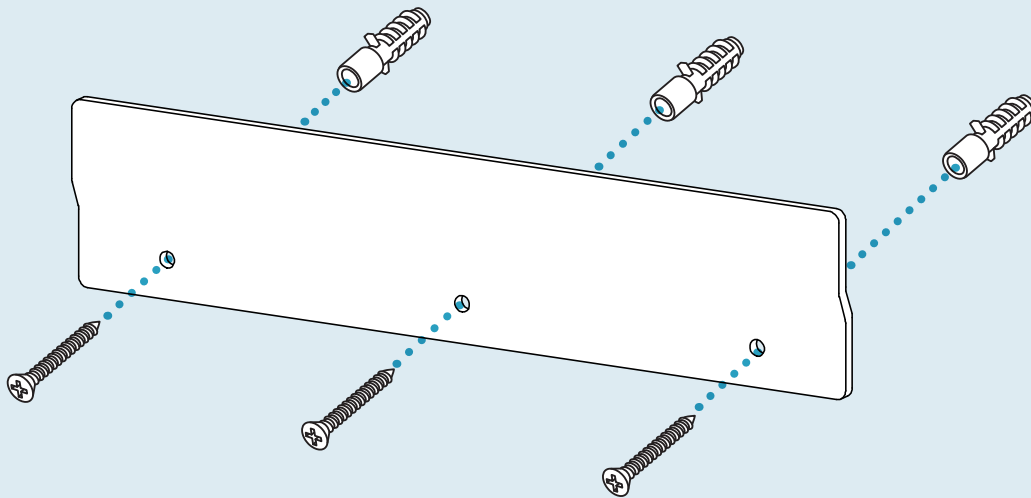
Mirror

Step 01

ATTACH THE CLEAT TO THE WALL.

Install the wall cleat on the wall at the desired height. Use a level to help align the bracket horizontally and mark the location of the holes. If mounting location is not located on a stud, drill a 17/64" hole in the marked location and insert the wall anchor.

For added strength PT 1202 can be mounted directly into a wall stud. Use a 7/64" drill bit to make the pilot hole.



PT. 1202 X 3

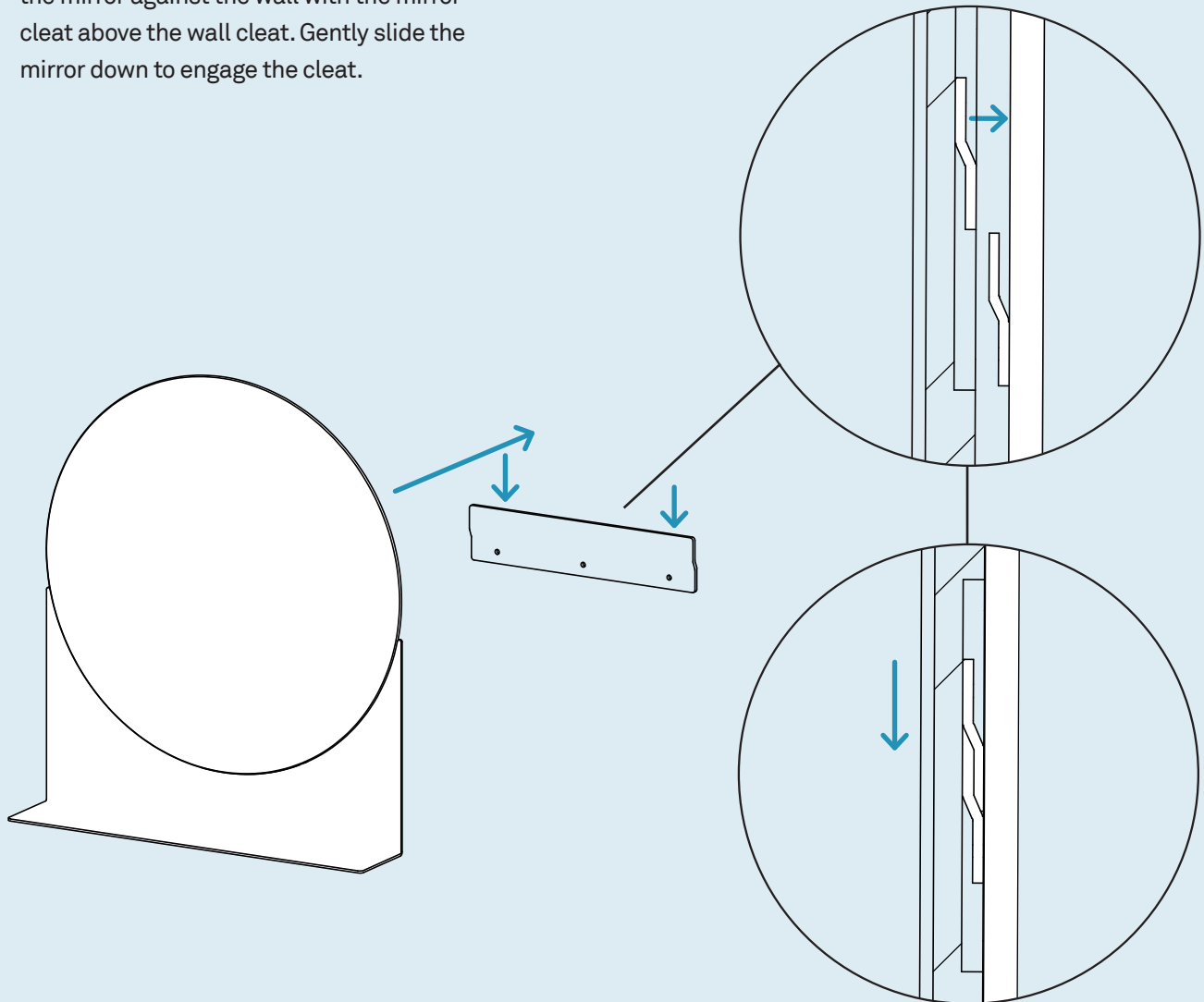


PT. 8036 X 3

Step 02

HANGING THE MIRROR.

Align the mirror cleat with the wall cleat. Place the mirror against the wall with the mirror cleat above the wall cleat. Gently slide the mirror down to engage the cleat.



Additional Information

CLEAN

Clean with a slightly damp, soft cloth. To remove dirt and fingerprints, use a quality glass cleaner and a soft cloth.

