

BLU
DOT

HANG 1

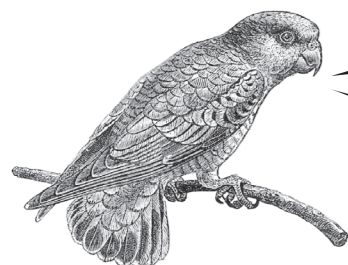
ASSEMBLY NOTES

1, 2, AND YOU'RE
THROUGH!

* shape of mirror
may vary.

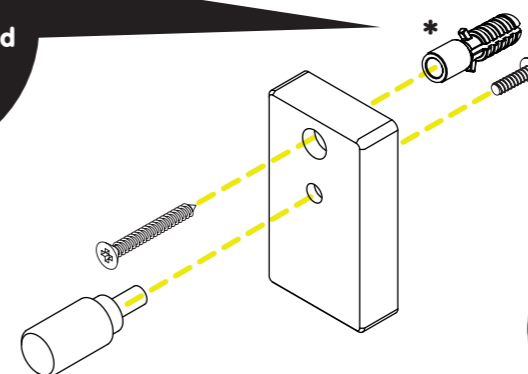
CARE

Clean wood with a slightly damp, soft cloth. To remove dirt and fingerprints, use a quality cleaner formulated for wood furniture. Wipe completely dry with a soft cloth in the direction of the wood grain.



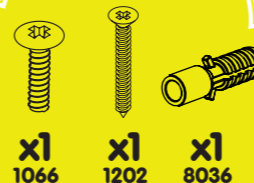
1

Attach the peg
to your wall
using the provided
hardware.



*

Included anchor screw may not be appropriate for all wall surfaces. To determine the hardware best suited for your type of wall, consult your local hardware professional.



x1
1066

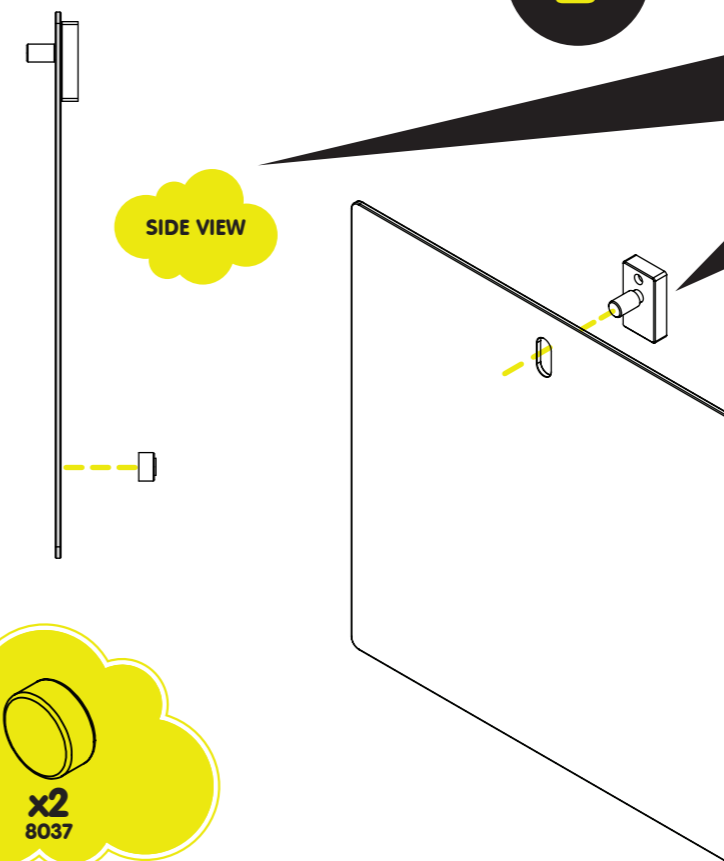
x1
1202

x1
8036

2

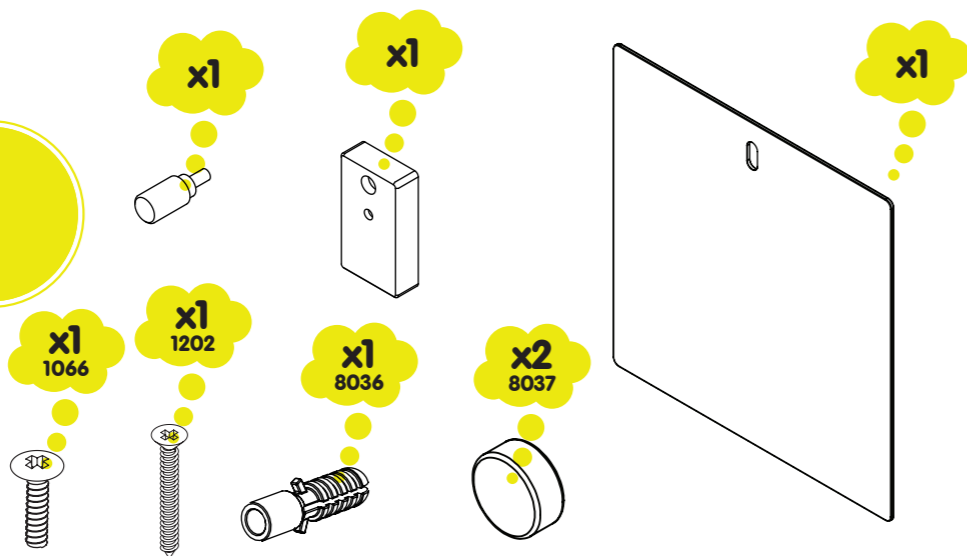
Attach bumpers and place
mirror at the back of the
peg so that it sits securely
within the groove.

SIDE VIEW



x2
8037

PARTS & HARDWARE



x1

x1

x1

x1
1066

x1
1202

x1
8036

x2
8037