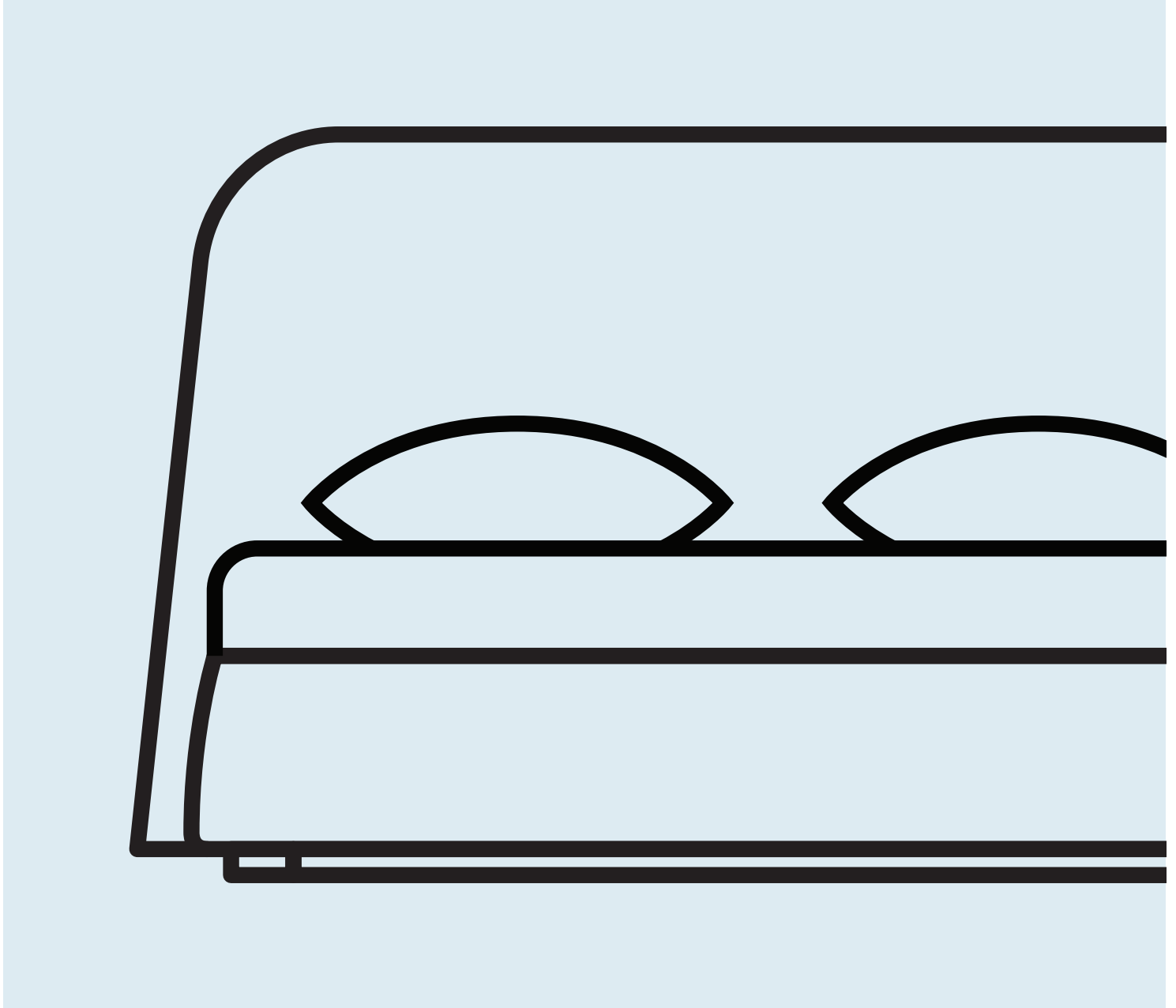


# Lid Storage Bed Collection



DESIGNED IN 2017

ASSEMBLY NOTES | REV 01



## COPING MECHANISM.

Sleep well knowing that you are on top of your storage. Literally. The Lid Storage bed provides an inconspicuous spot for whatever needs to be stashed below.

## NEED A HAND?

Contact us at [service@bludot.com](mailto:service@bludot.com) or **844.425.8368** for assistance.

# Parts & Hardware



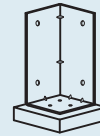
QTY 2

Mattress Bracket



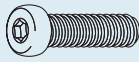
QTY 1

Handle



QTY 4

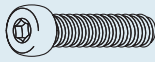
Foot



M8 x 35mm

QTY 12

Pt. 1098



M8 x 45mm

QTY 8

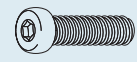
Pt. 1099



M8 x 75mm

QTY 4

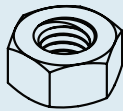
Pt. 1100



M8 x 20mm

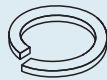
QTY 40

Pt. 1101



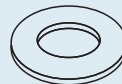
QTY 20

Pt. 2004



QTY 12

Pt. 3005



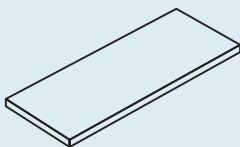
QTY 84

Pt. 3007



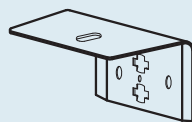
QTY 4

Pt. 4007



QTY 8

Pt. 4009



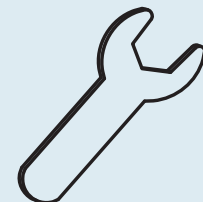
QTY 8

Pt. 8049



QTY 1

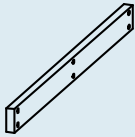
Pt. 9022



QTY 1

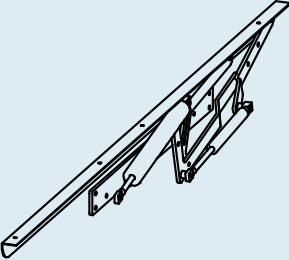
Pt. 9028

# Parts & Hardware



QTY 2

Support Panel



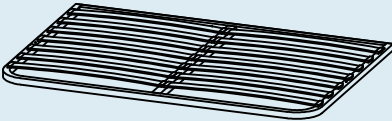
QTY 2

Lift Mechanism



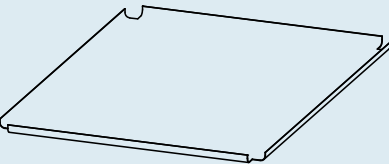
QTY 2

Cross Support



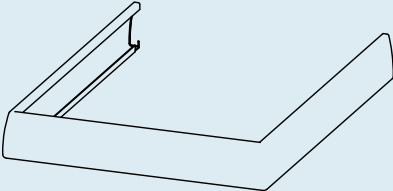
QTY 2

Mattress Frame



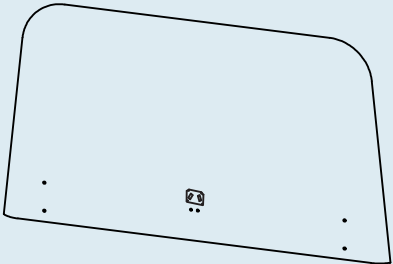
QTY 1

Dust Barrier



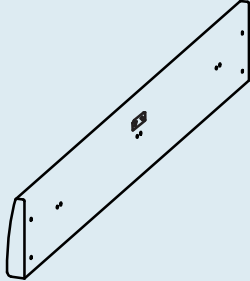
QTY 1

Slip Cover



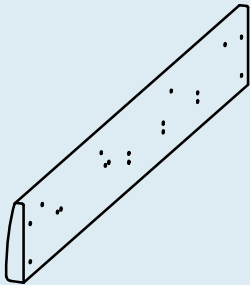
QTY 1\*

Headboard



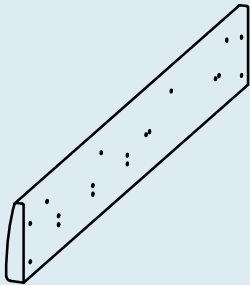
QTY 1\*

Footboard



QTY 1

Left Side Rail



QTY 1

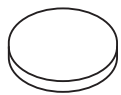
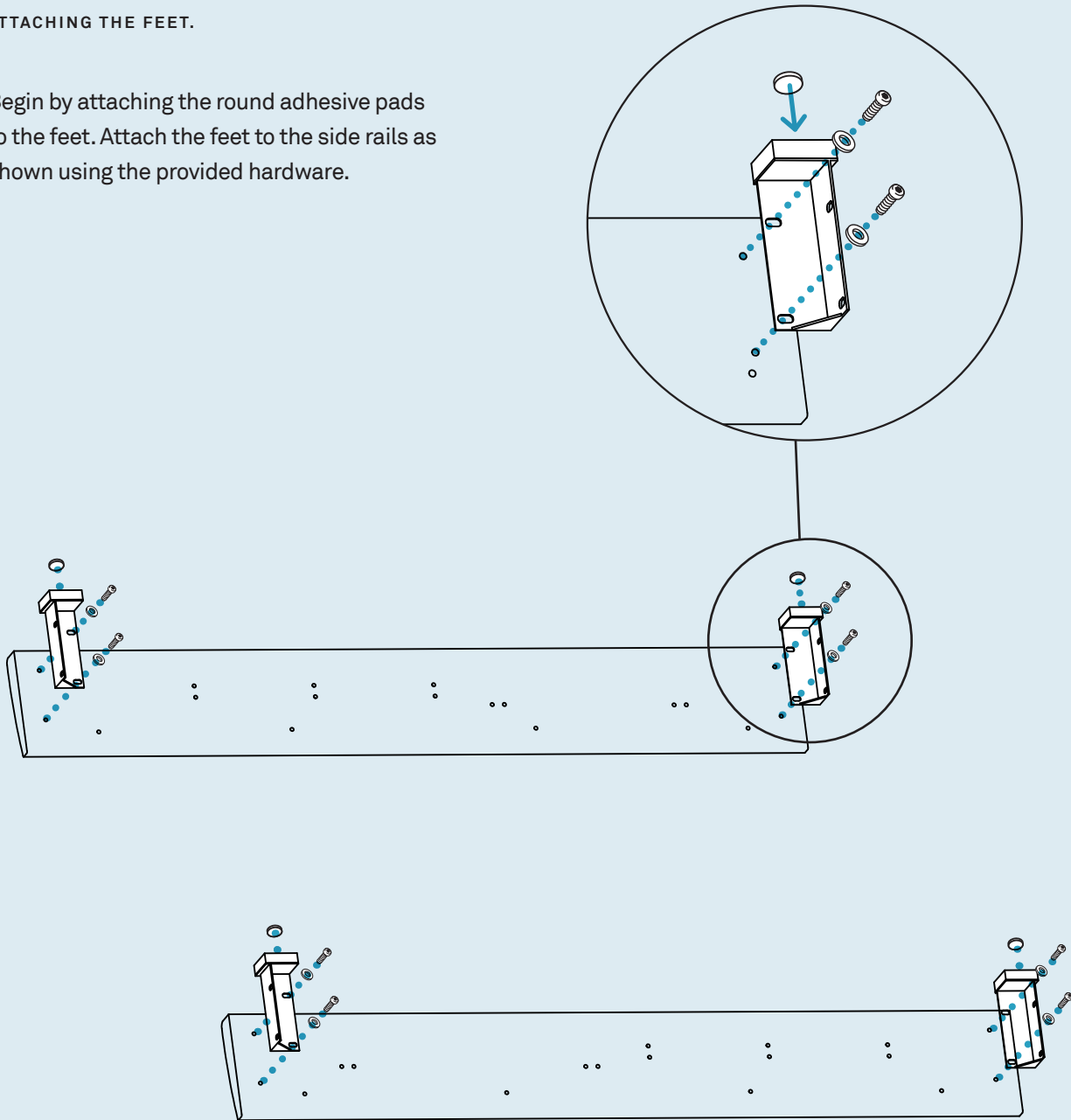
Right Side Rail

\* Platform storage bed ships with x2 footboards.

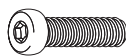
# Step 01

## ATTACHING THE FEET.

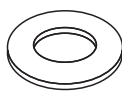
Begin by attaching the round adhesive pads to the feet. Attach the feet to the side rails as shown using the provided hardware.



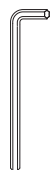
PT. 4007 x 4



PT. 1101 x 8



PT. 3007 x 8

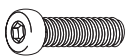
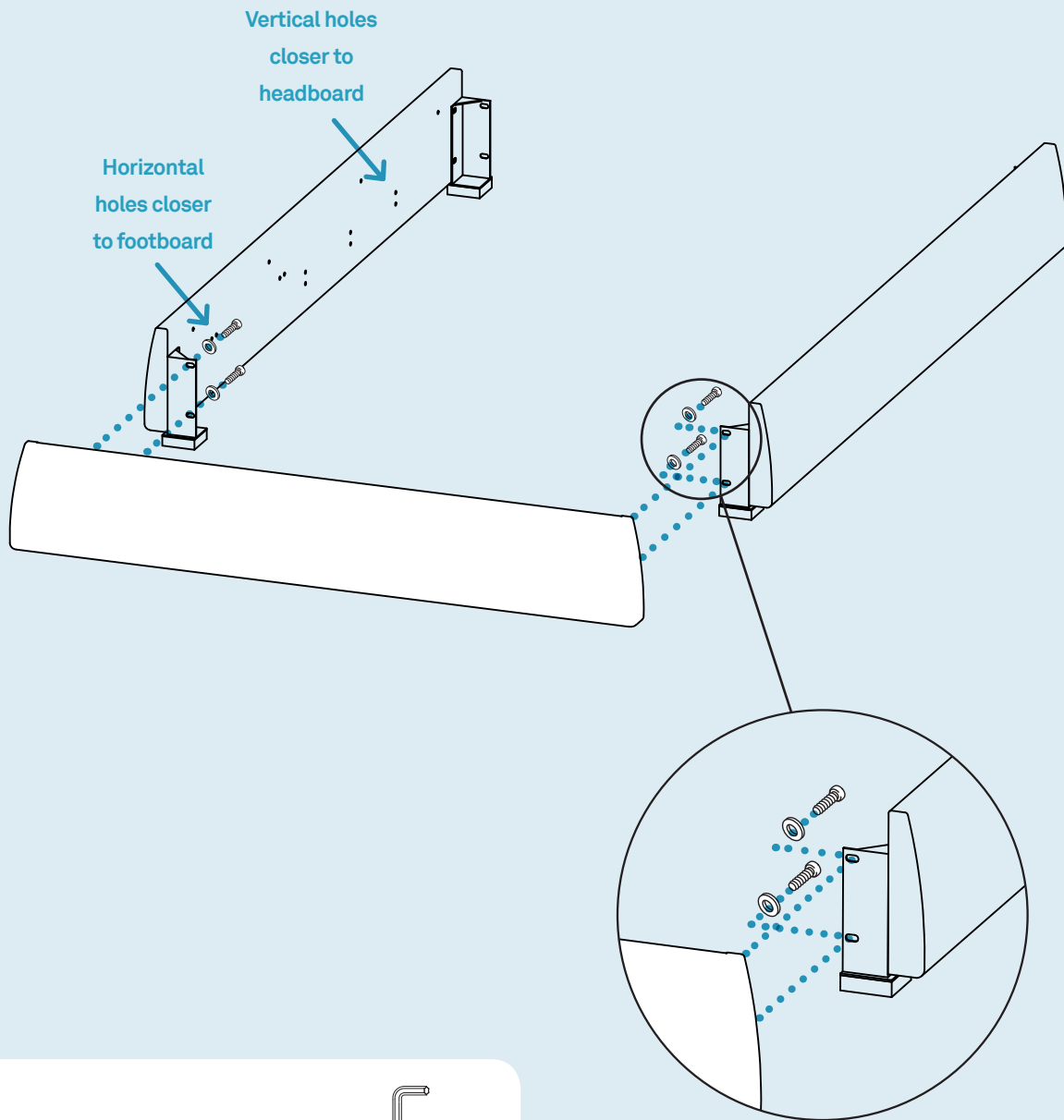


PT. 9022 x 1

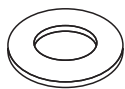
# Step 02

## ATTACHING THE FOOTBOARD.

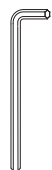
Attach the footboard to the side rails using the provided hardware as shown. Note hole location to help identify left vs. right side rails.



PT. 1101 x 4



PT. 3007 x 4

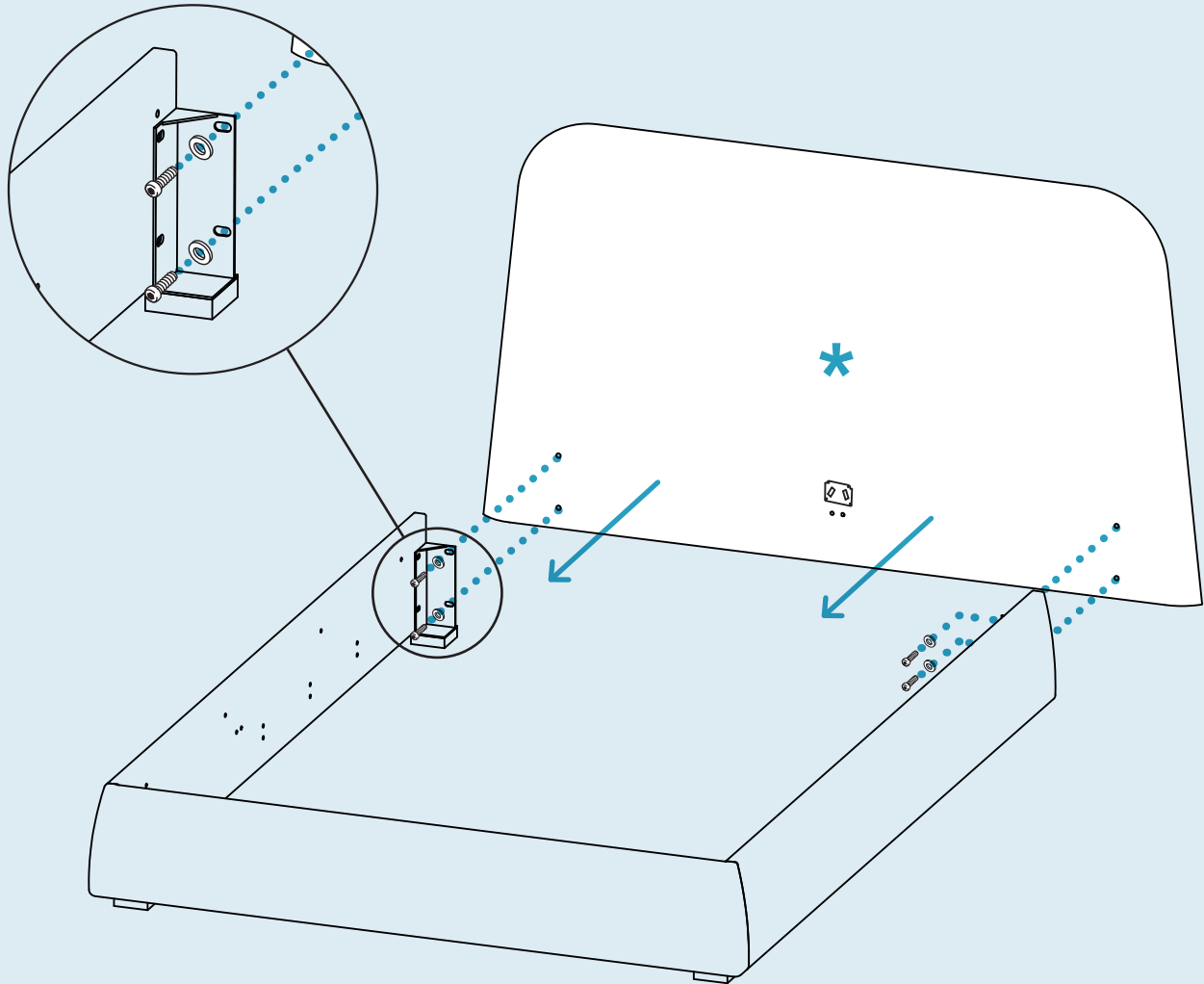


PT. 9022 x 1

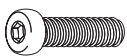
## Step 03

### ATTACHING THE HEADBOARD.

With the help of a second person, align the headboard bolt holes with the foot bracket holes. Attach as shown using the provided hardware.



\* Platform storage bed ships with two footboards.  
Attachment points are the same as shown.



PT. 1101 x 4



PT. 3007 x 4

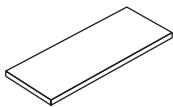
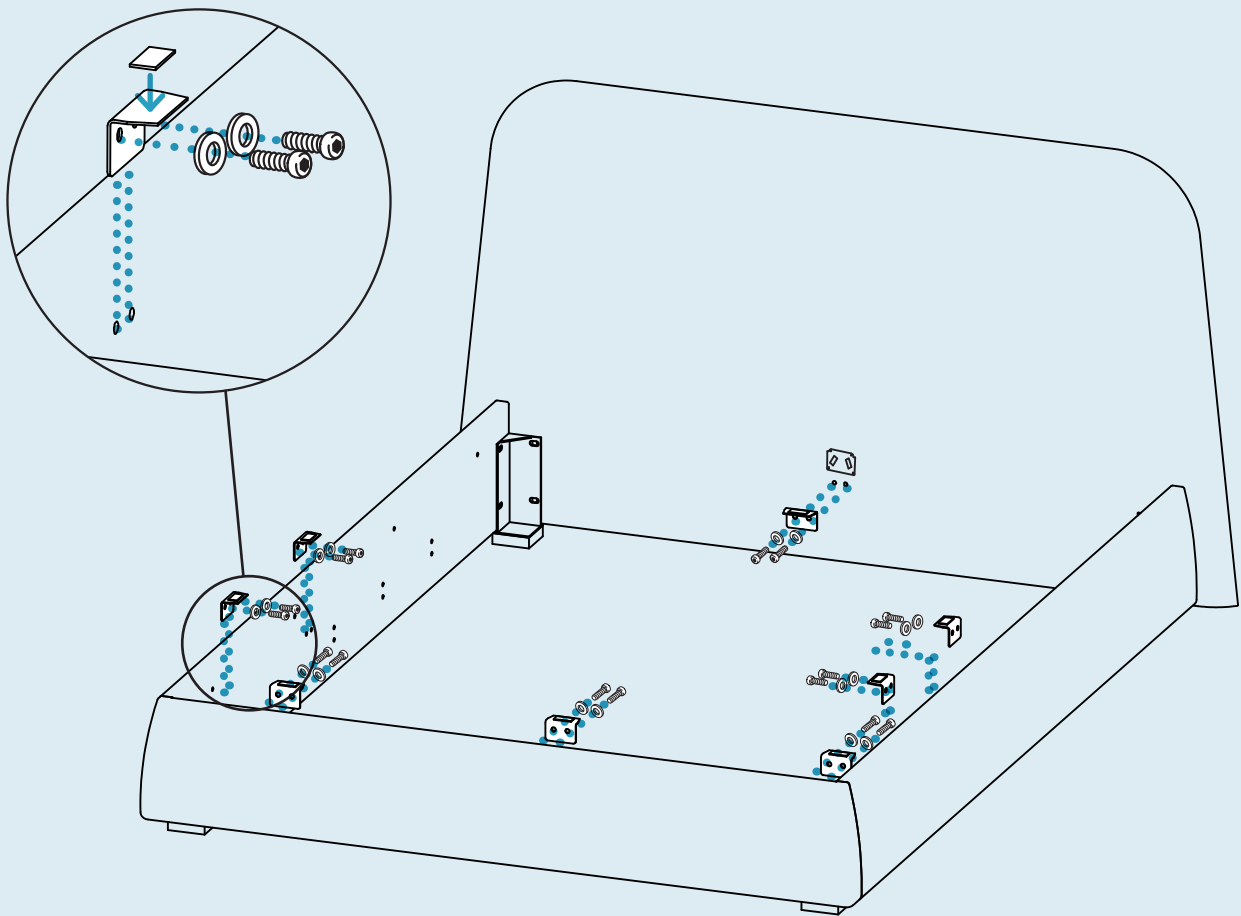


PT. 9022 x 1

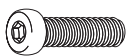
# Step 04

## ATTACHING THE FRAME BRACKETS.

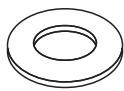
Begin by installing the adhesive pads to the top of the frame brackets. Locate the pairs of horizontal holes on the inner face of the frame. Attach the frame brackets as shown using the provided hardware.



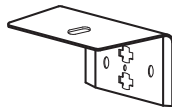
PT. 4009 x 8



PT. 1101 x 16



PT. 3007 x 16



PT. 8049 x 8

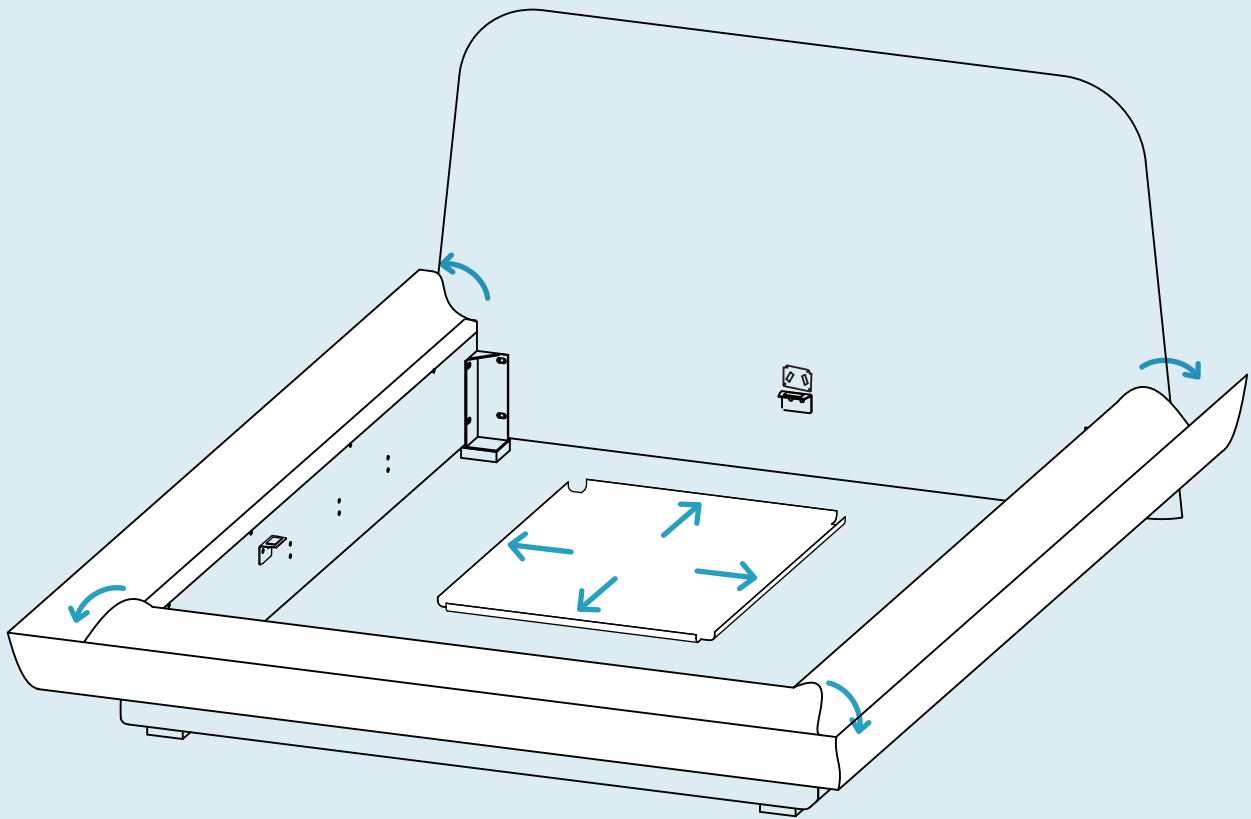


PT. 9022 x 1

## Step 05

### INSTALLING THE FABRIC COVERS.

Begin attaching the slip cover at the inner footboard corners and work up to the headboard. Wrap the slip cover around the frame and attach at the bottom using the velcro strips. Pull the dust barrier to the frame sides and attach the velcro strips.

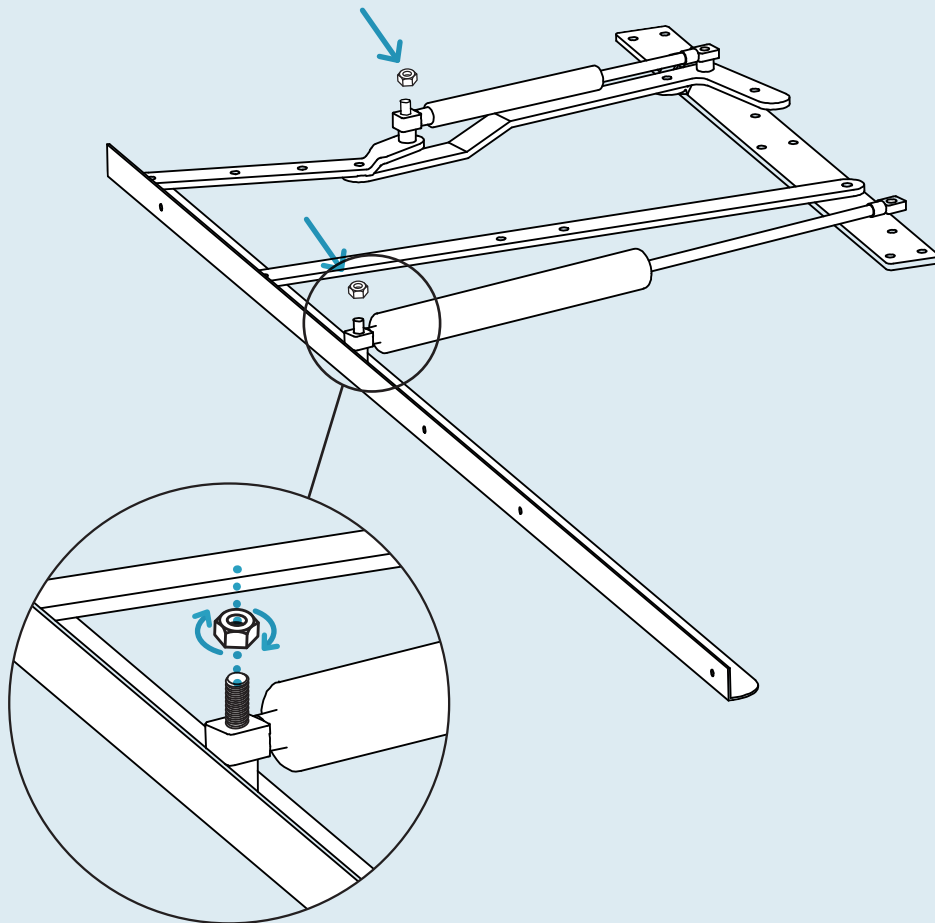




## Step 06

### ATTACHING THE LIFT PISTONS.

Remove the x2 pre-attached lock nuts.  
Rotate the lift pistons and place over the threaded posts on the frame. Secure using the provided hardware. Repeat for remaining lift mechanism.

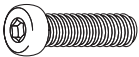
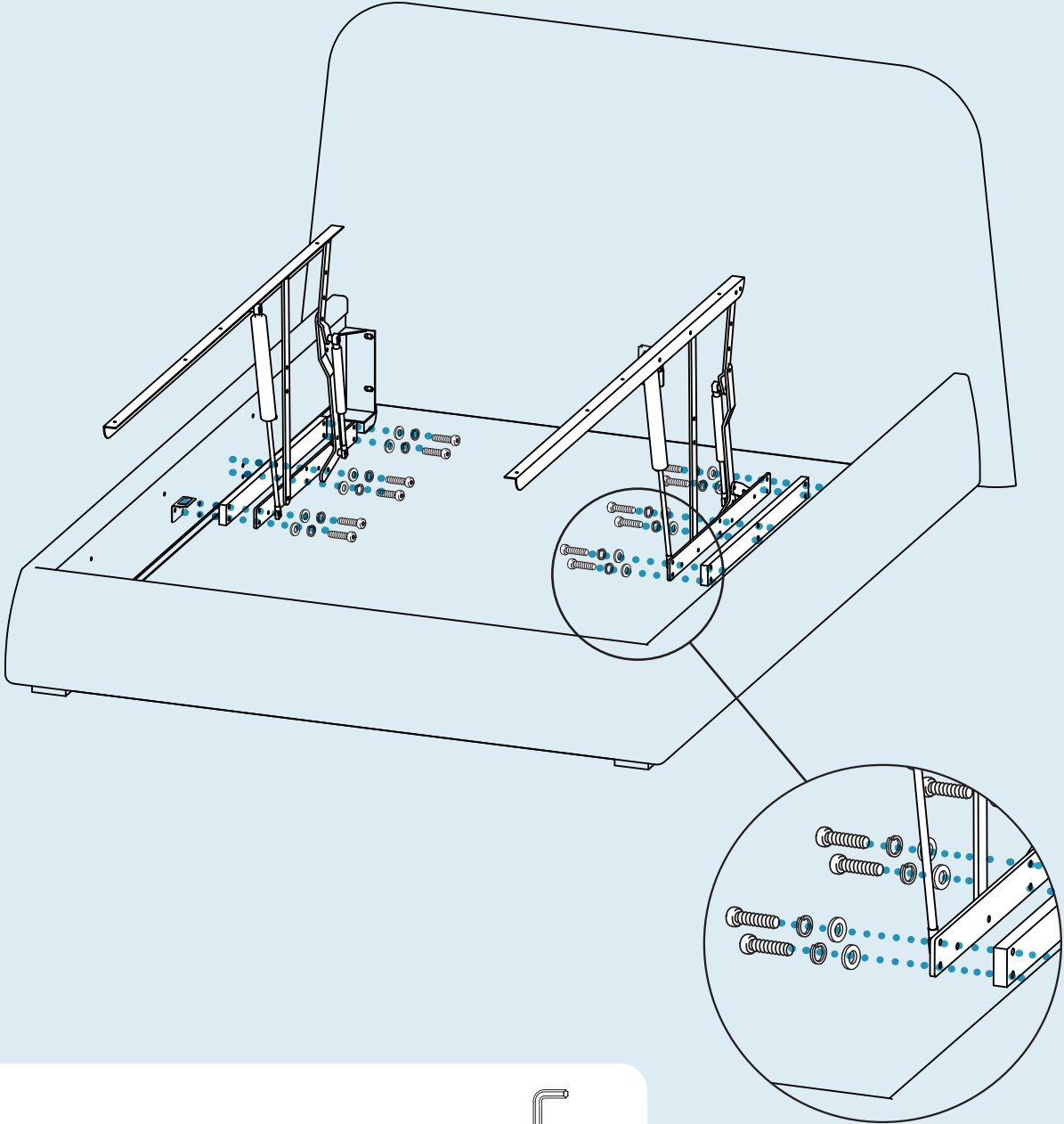


PT. 9028 x 1

# Step 07

## ATTACHING THE LIFT MECHANISMS.

Align the support panels and the lift mechanisms with the side frame holes. Attach as shown using the provided hardware.



PT. 1098 x 12



PT. 3005 x 12



PT. 3007 x 12

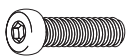
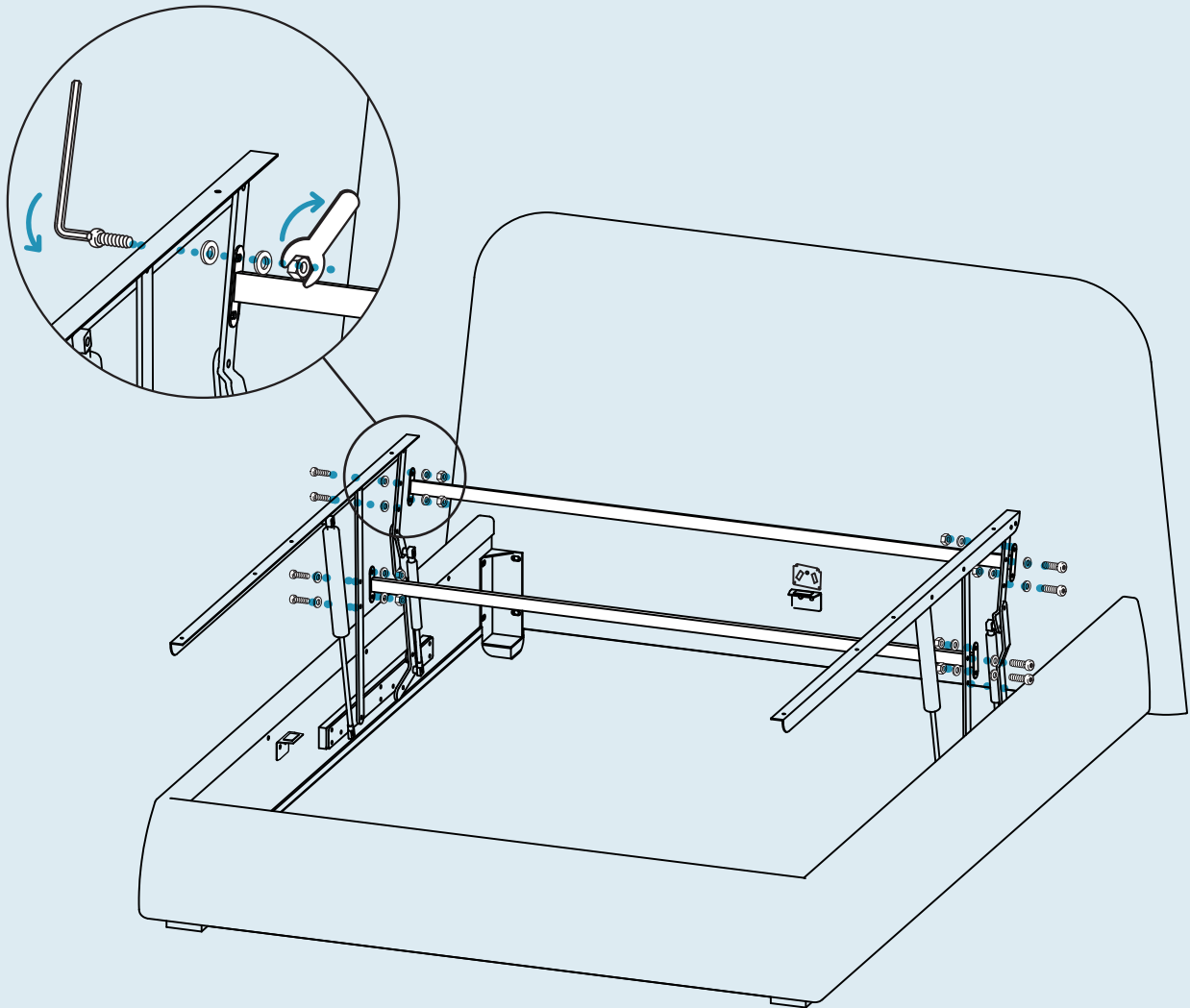


PT. 9022 x 1

# Step 08

## ATTACHING THE CROSS SUPPORTS.

With the help of a second person, align the cross supports with the pre-drilled holes on the lift mechanisms. Attach using the provided hardware as shown.



PT. 1101 x 8



PT. 2004 x 8



PT. 3007 x 16



PT. 9022 x 1

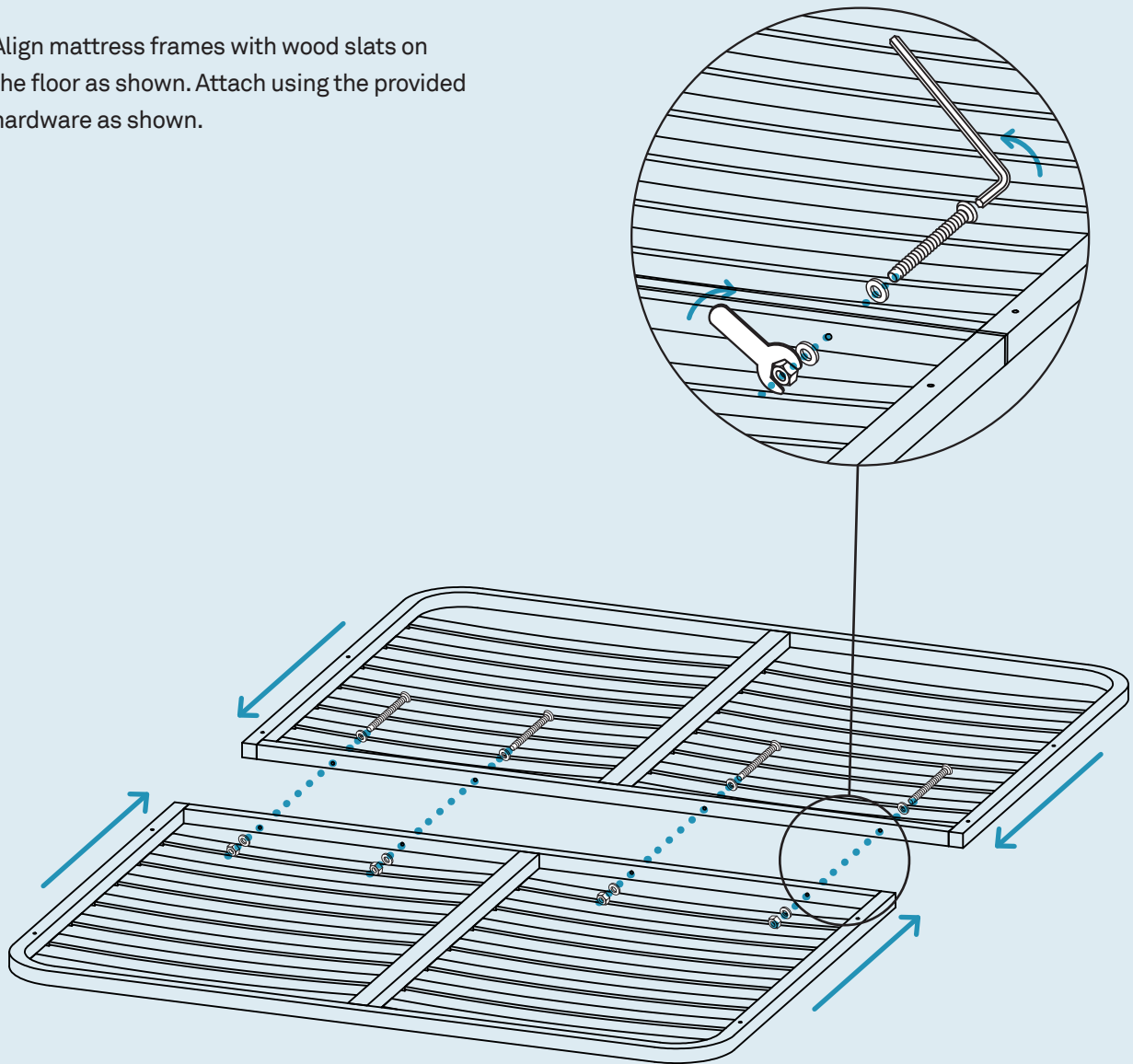


PT. 9028 x 1

# Step 09

## ASSEMBLING THE MATTRESS FRAME.

Align mattress frames with wood slats on the floor as shown. Attach using the provided hardware as shown.



PT. 1100 x 4



PT. 2004 x 4



PT. 3007 x 8



PT. 9022 x 1



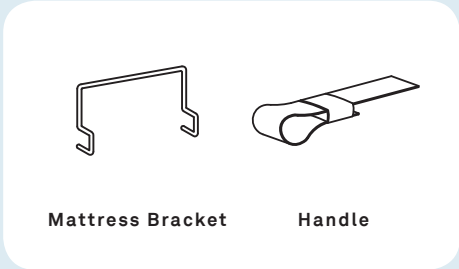
PT. 9028 x 1

# Step 10

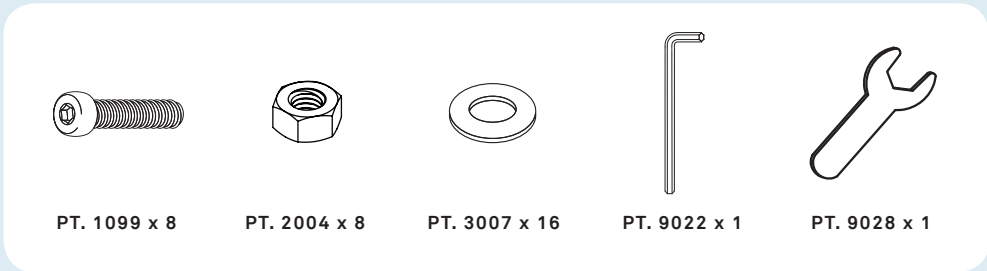
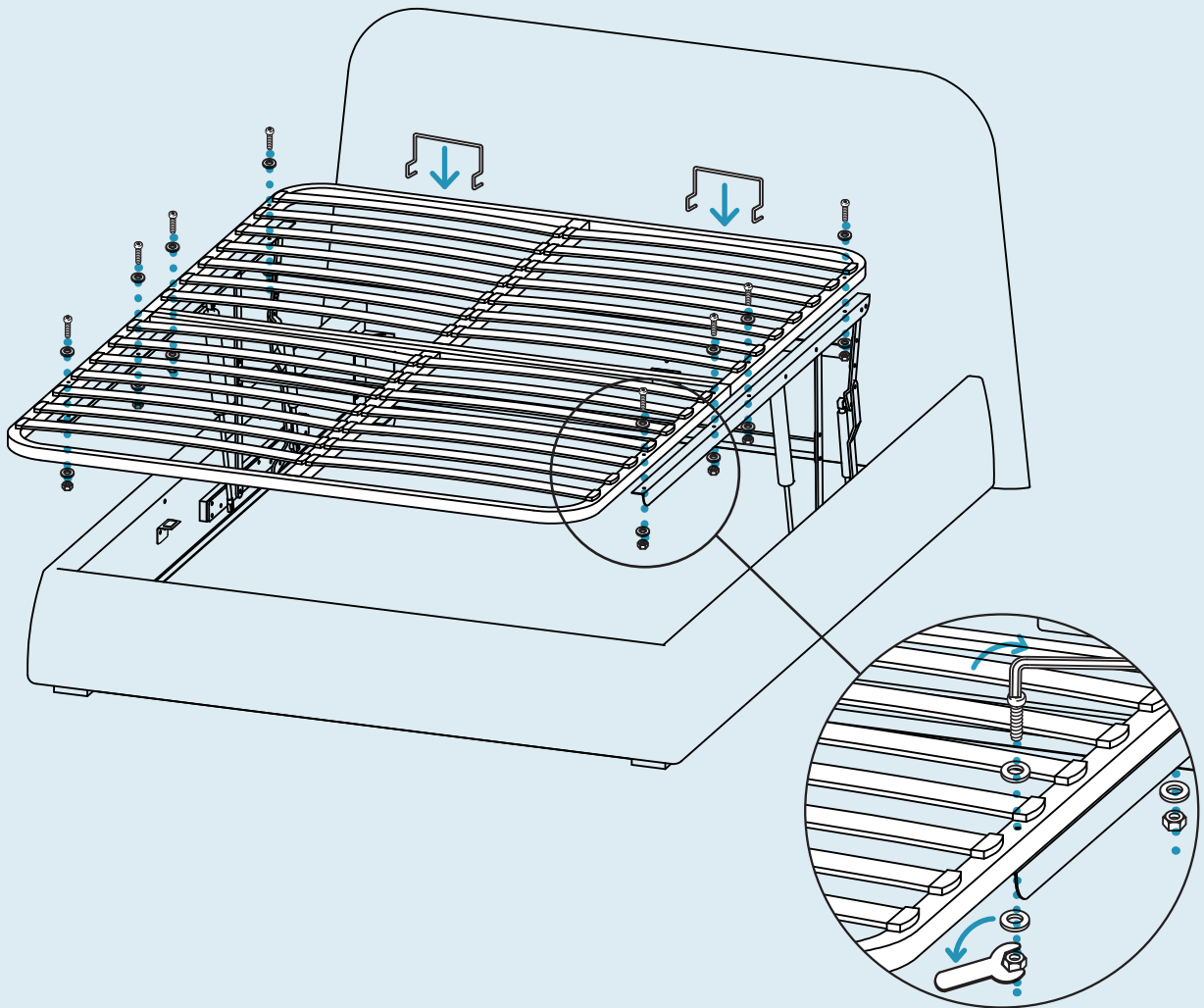
## ATTACHING THE MATTRESS FRAME.

With the help of a second person, align the mattress frame with the pre-drilled holes on the lift mechanisms. Attach using the provided hardware as shown.

NOTE: Wood slats should be facing up.



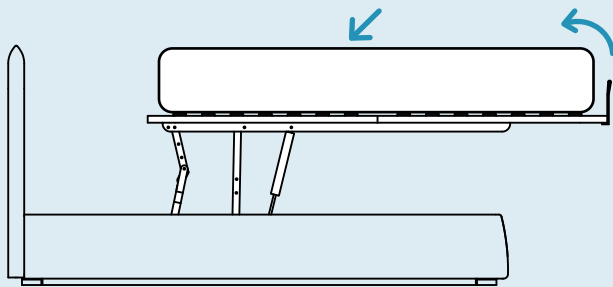
After attaching the mattress frame be sure to attach the mattress brackets and fabric handle.



# Lowering Lift Mechanism

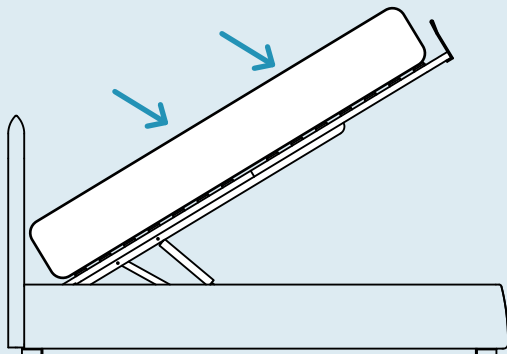
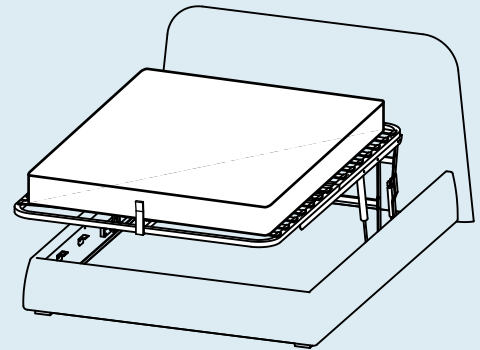
## IMPORTANT

Before using the lift mechanism ensure storage area, bed frame, and surrounding area are free of pets or small children. Never put your hands on the sides or bottom of the lift mechanism when in use.



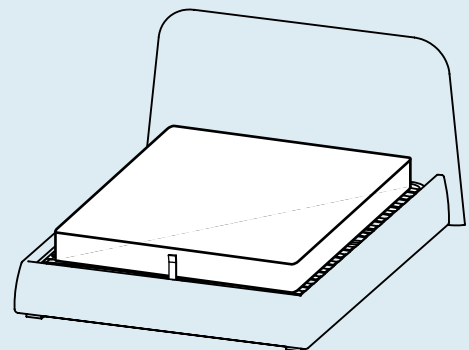
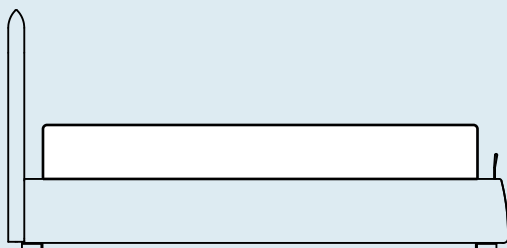
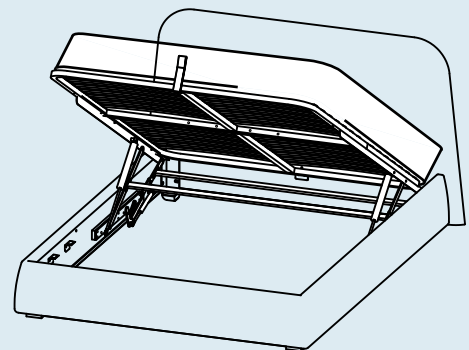
STEP 1

Begin by standing at the side of the bed. Pull the handle up and towards the headboard. While doing so push down and toward the headboard with your other hand.



STEP 2

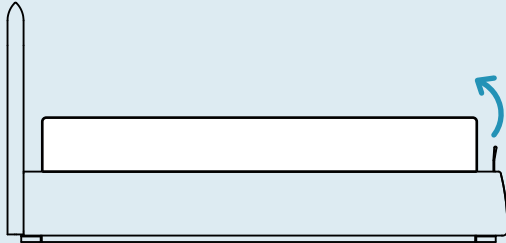
The lift mechanism will support itself in this position with most mattresses. When ready to fully lower mattress ensure storage area, bed frame, and surrounding area are free of pets or small children. Stand at the side of the bed and push down and towards the footboard with both hands.



# Raising Lift Mechanism

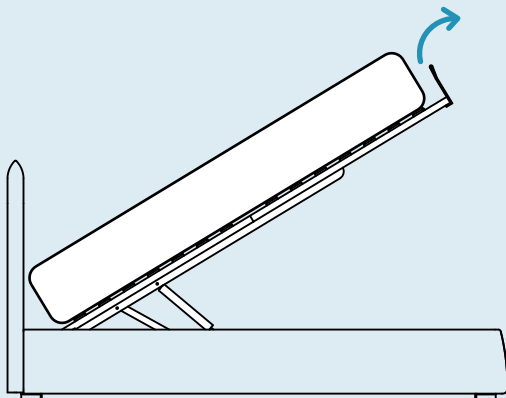
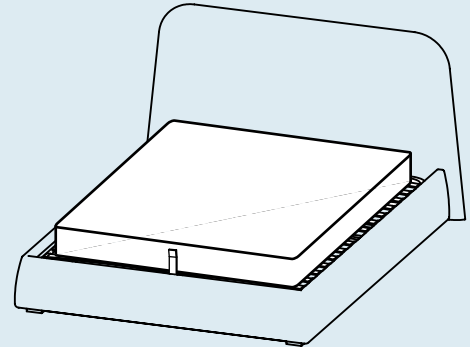
## IMPORTANT

Before using the lift mechanism ensure storage area, bed frame, and surrounding area are free of pets or small children. Never put your hands on the sides or bottom of the lift mechanism when in use.



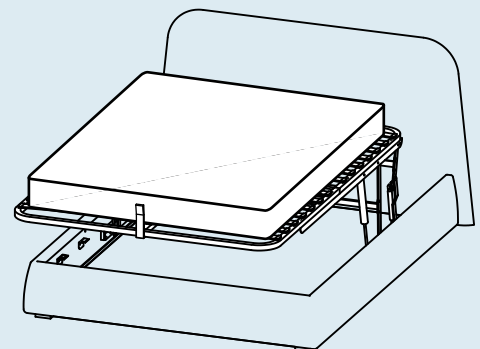
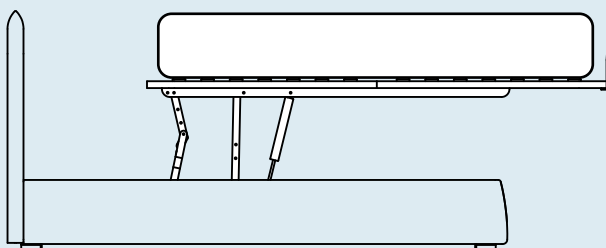
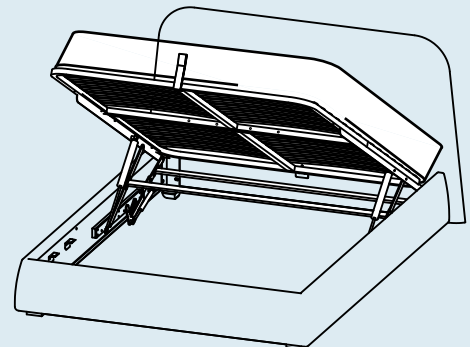
STEP 1

Begin by standing at the foot of the bed. Pull the handle up and towards the headboard. While doing so place other hand on top of frame to slow lift movement if desired. Do not place head or body in path of lift mechanism during use.



STEP 2

The lift mechanism will support itself in this position with most mattresses. This is ideal for storing or retrieving items from the storage area. Refer to Pg.12 on how to lower mattress from this position. The lift mechanism can also extend further, to do so pull the handle up and towards the footboard.



## Additional Information

### CLEAN

Vacuum your upholstery regularly. For leather furniture dust regularly with a dry cloth.

### SPILLS

Act quickly with spills. Absorb the spill with a clean white cloth or paper towel. Never rub the surface. Do not use water or other liquids to clean, as they may cause stains. Consult a commercial cleaning specialist for removal of stubborn stains.

### AVOID

Keep furniture out of direct sunlight and away from heat sources; excessive exposure to sunlight may cause color fading. Avoid placing heavy or sharp objects on the furniture surface for long periods of time; this can cause permanent surface indentations. For snags in the fabric, tuck loose threads into fabric or carefully push to reverse side. Never pull out or cut off loose threads.

