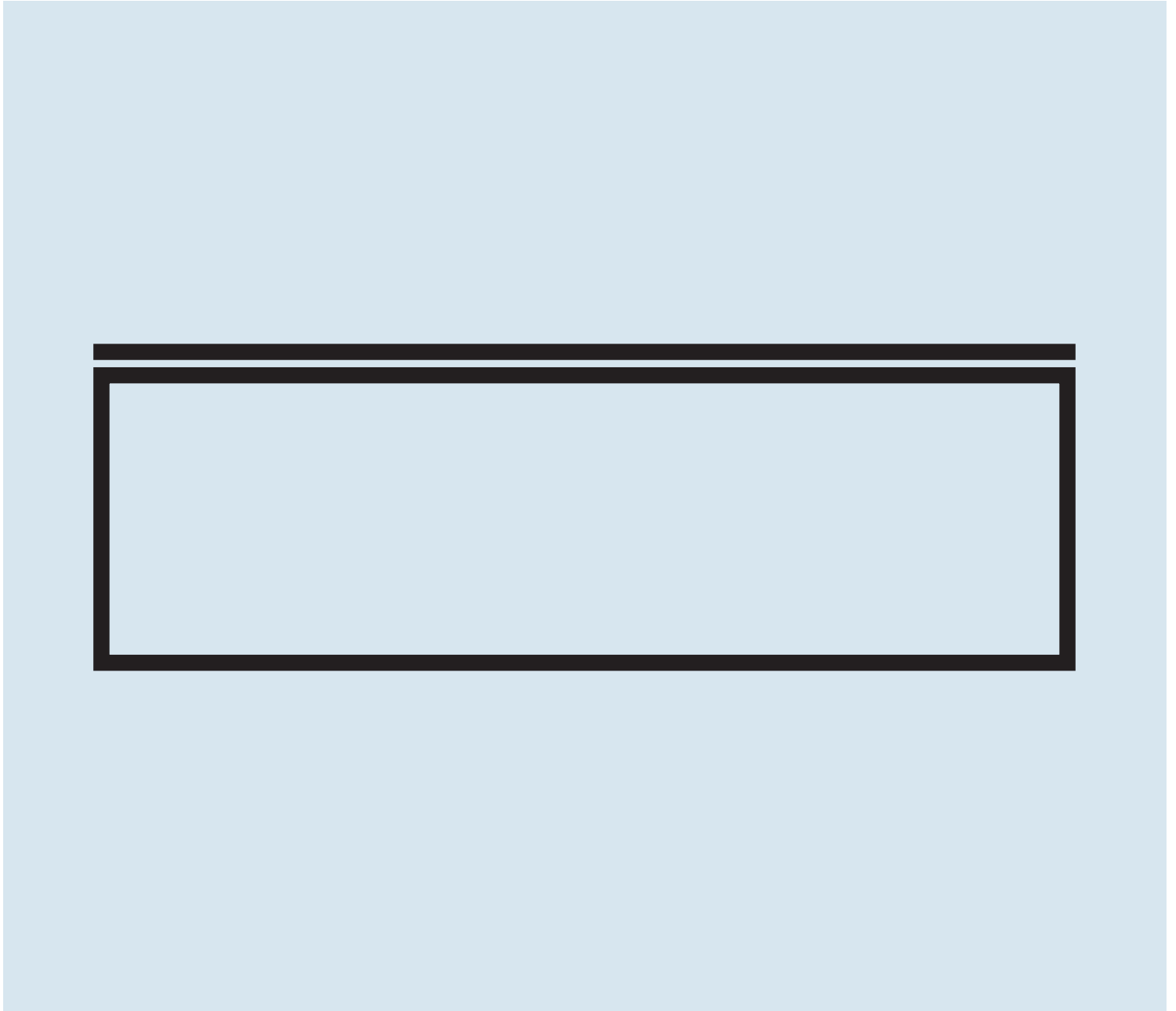


Minimalista Coffee Table



DESIGNED IN 2007

ASSEMBLY NOTES | REV 03



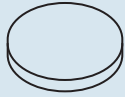
SOMETIMES DESIGN IS ALL ABOUT THE CONFIDENT WHISPER.

Nothing but the bare essentials here.

NEED A HAND?

Contact us at service@bludot.com or
844.425.8368 for assistance.

Parts & Hardware - Marble/Glass Top



QTY

6*

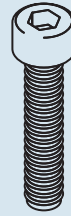
QTY

Pt. 4007



8

Pt. 4008



QTY

8

Pt. 1054



QTY

1

Pt. 9001



QTY

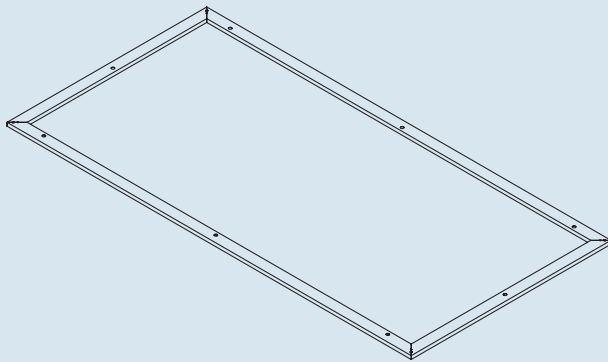
4

Leg

QTY

1

Frame Bottom



QTY

1

Frame Top

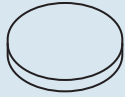
QTY

1

Top

*square coffee table ships with additional hardware

Parts & Hardware - Oak/Walnut Top



QTY

6*

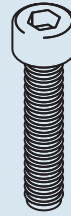
QTY

Pt. 4007



8*

Pt. 1032



QTY

8

Pt. 1054



QTY

1

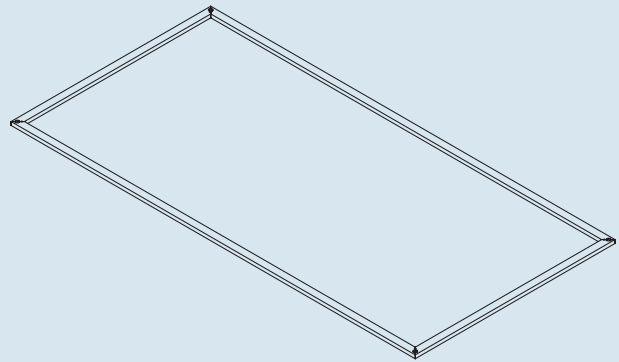
Pt. 9001



QTY

4

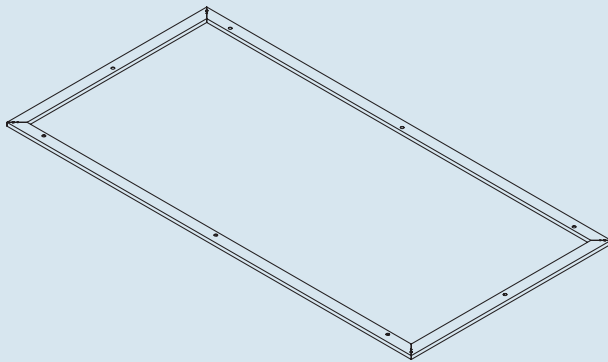
Leg



QTY

1

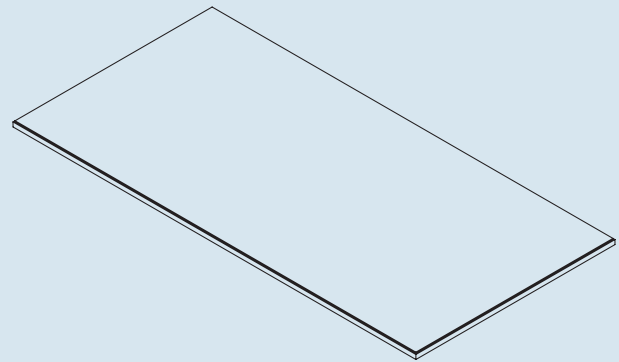
Frame Bottom



QTY

1

Frame Top



QTY

1

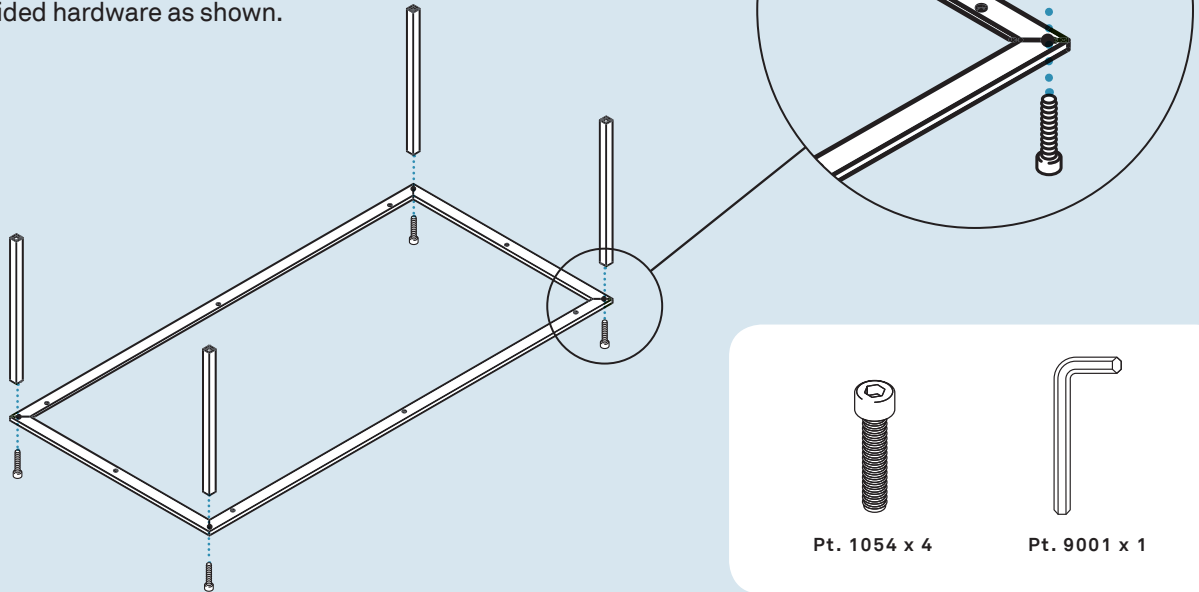
Top

*square coffee table ships with additional hardware

Marble/Glass - Step 01

ATTACH LEGS.

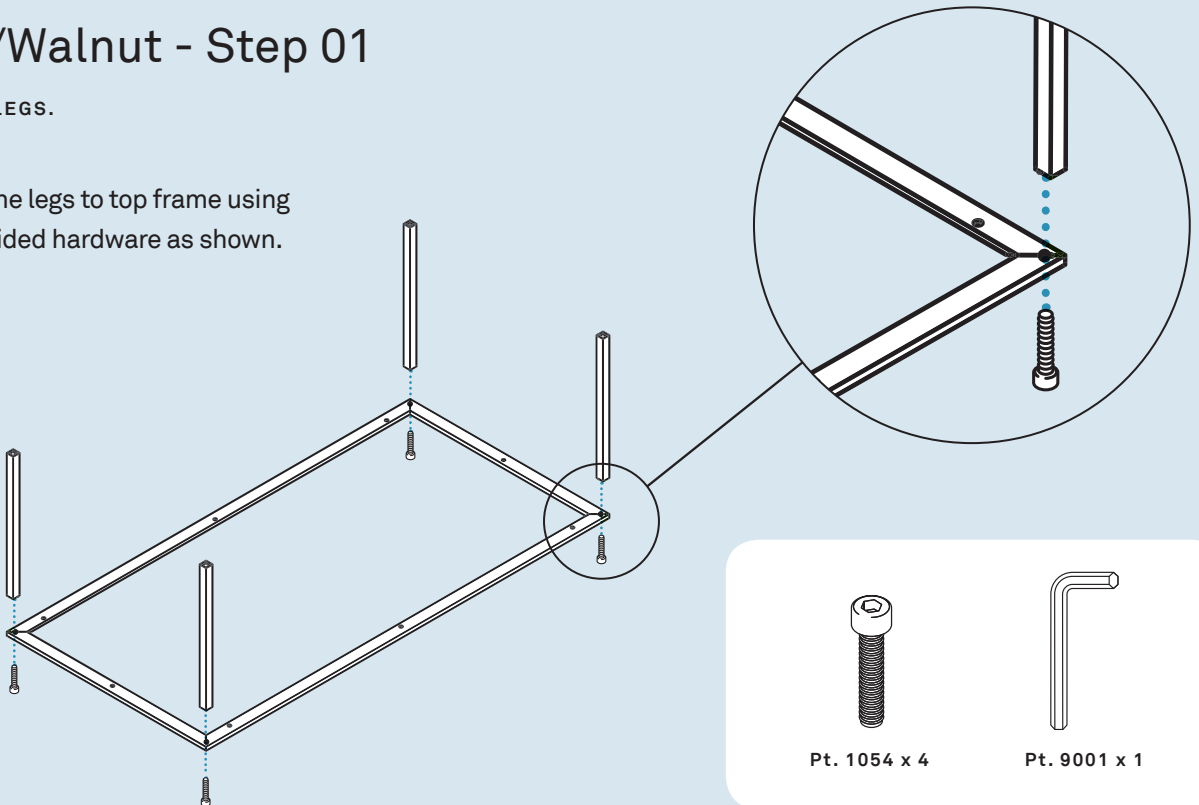
Attach the legs to top frame using the provided hardware as shown.



Oak/Walnut - Step 01

ATTACH LEGS.

Attach the legs to top frame using the provided hardware as shown.

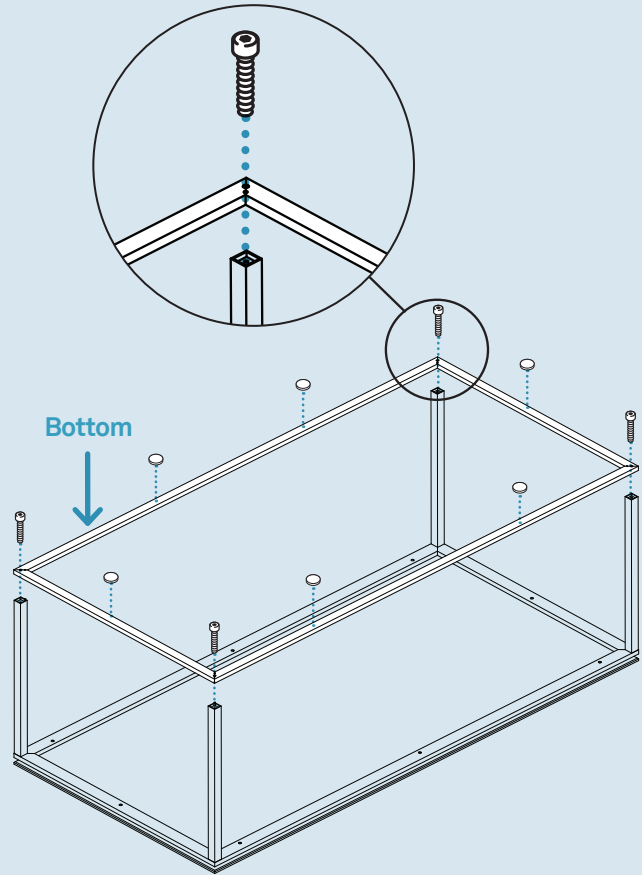
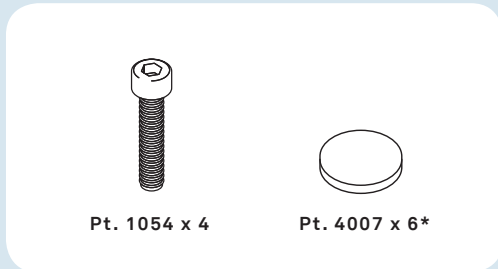


Marble/Glass - Step 02

ATTACH BOTTOM.

Attach the bottom frame using the provided hardware as shown.

NOTE: Square coffee table ships with x8 hardware pieces. Attach x2 per side of bottom frame.

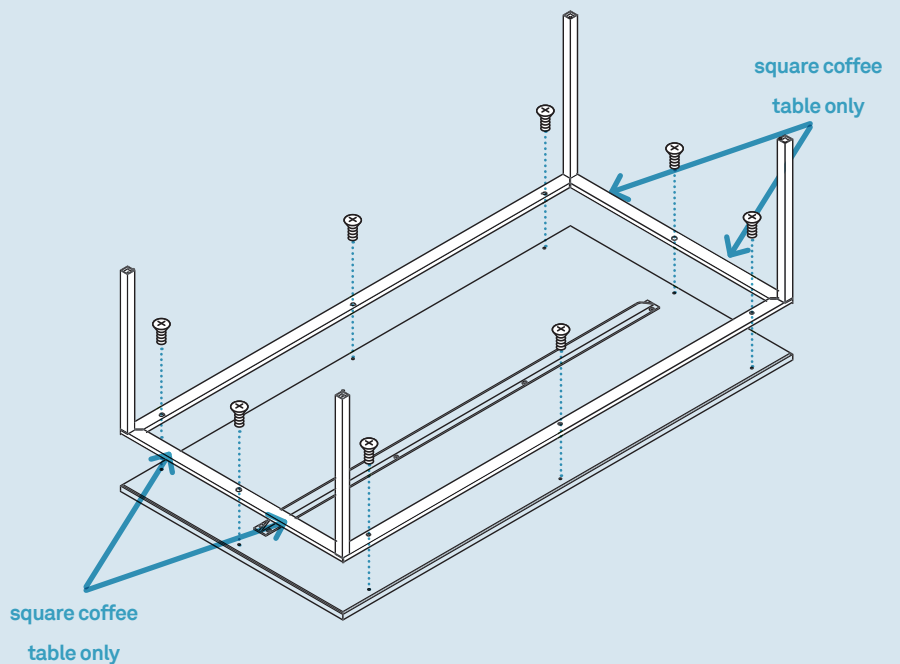
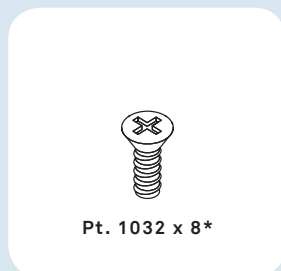


Oak/Walnut - Step 02

ATTACH THE TOP.

Attach the top using the provided hardware as shown.

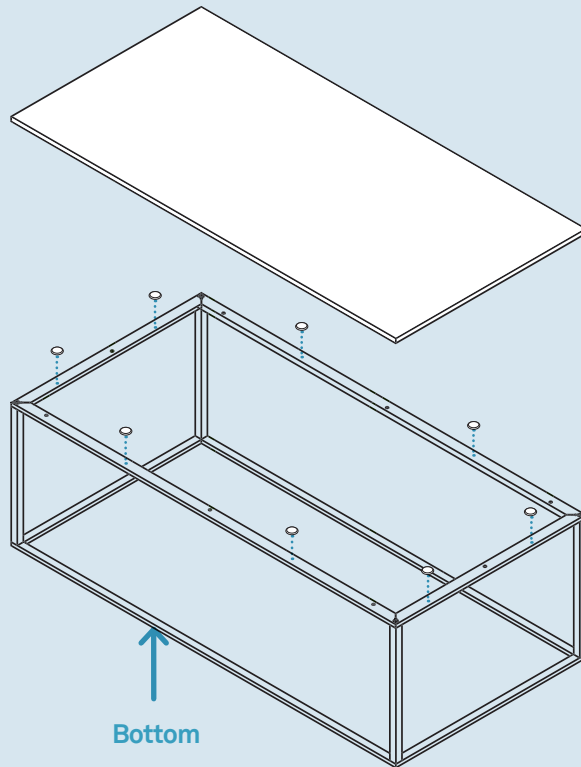
NOTE: Square coffee table ships with x12 hardware pieces. Additional attachment points called out.



Marble/Glass - Step 03

ATTACH THE TOP.

Attach the top using the provided hardware as shown.

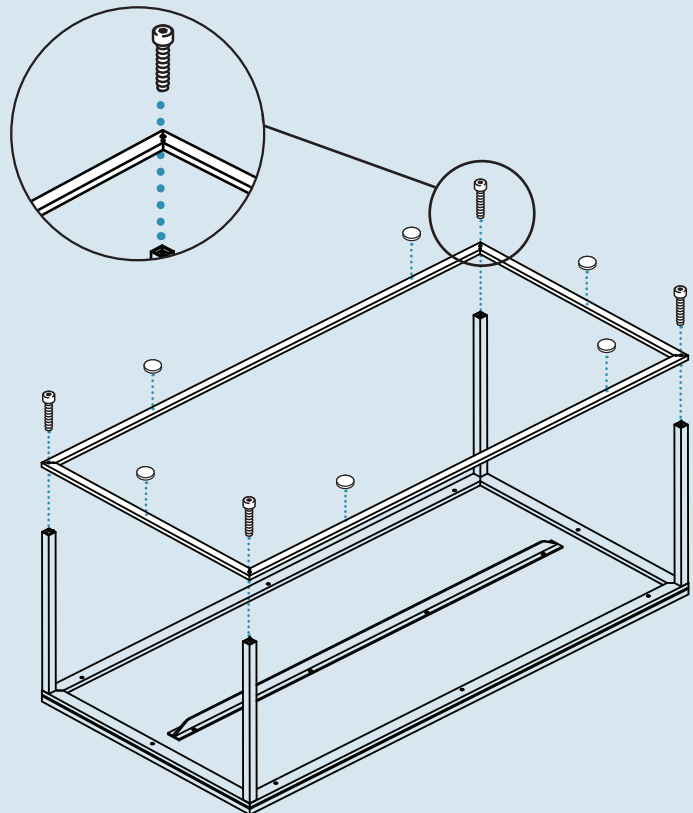
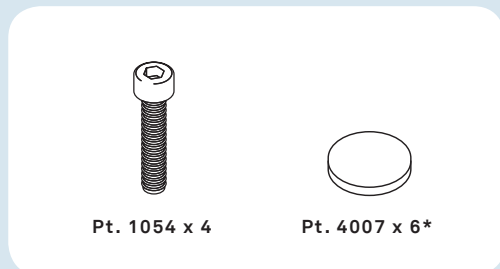


Oak/Walnut - Step 03

ATTACH BOTTOM.

Attach the bottom of the frame using the provided hardware as shown.

NOTE: Square coffee table ships with x8 hardware pieces. Attach x2 per side of bottom frame.



Additional Information

CLEAN

Clean with a slightly damp, soft cloth. To remove dirt and fingerprints, use a quality cleaner formulate for wood furniture. Wipe completely dry with a soft cloth in the direction of the wood grain.

PROTECT

To help avoid stains we recommend sealing the honed marble, this should be done periodically to keep the surface protected. Please contact your local hardware store for professional guidance.

