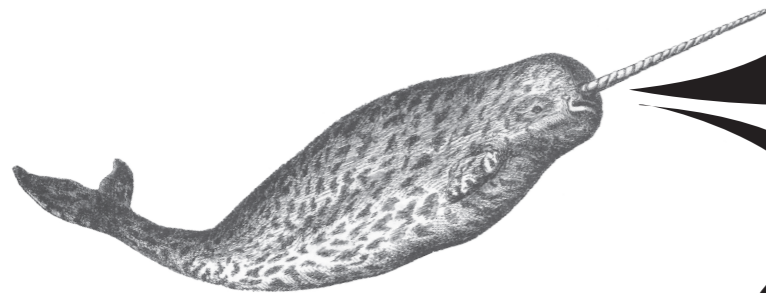


MODULAR AND STYLISH,  
WHO KNEW?

# MODULICIOUS

## #1

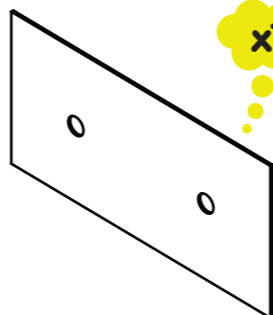
### ASSEMBLY INSTRUCTIONS



#### CARE

Clean with a slightly damp, soft cloth. To remove dirt and fingerprints, use a quality cleaner formulated for wood furniture. Wipe completely dry with a soft cloth in the direction of the wood grain.

#### PARTS LIST



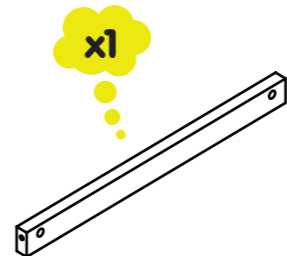
x1

Back Panel



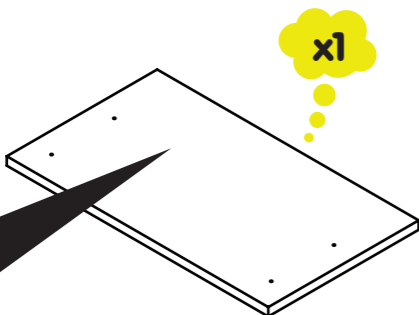
x2

Foot



x1

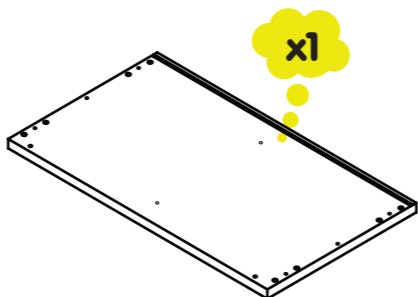
Stretcher



x1

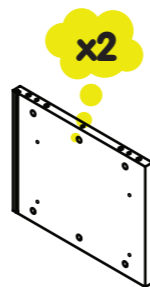
Bottom Panel

bottom panel has pre-drilled holes on both sides



x1

Top Panel



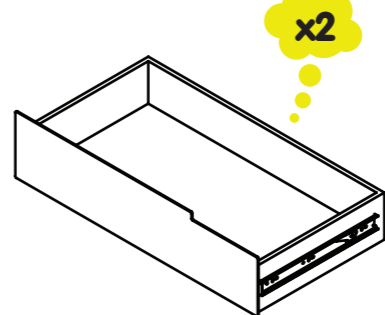
x2

Side Panel



x4

Drawer Slide



x2

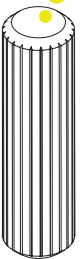
Drawer

#### HARDWARE

x18  
5002



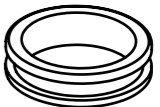
x16  
5005



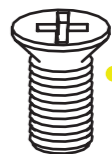
x18  
5001



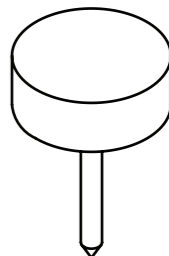
x2  
8018

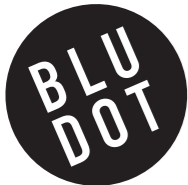


x8  
1023



x4  
4005

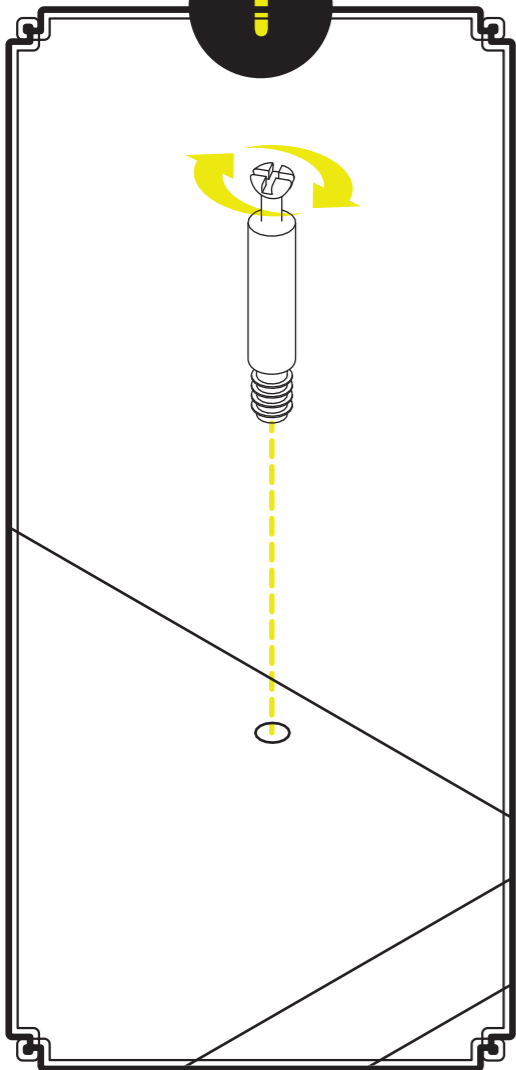




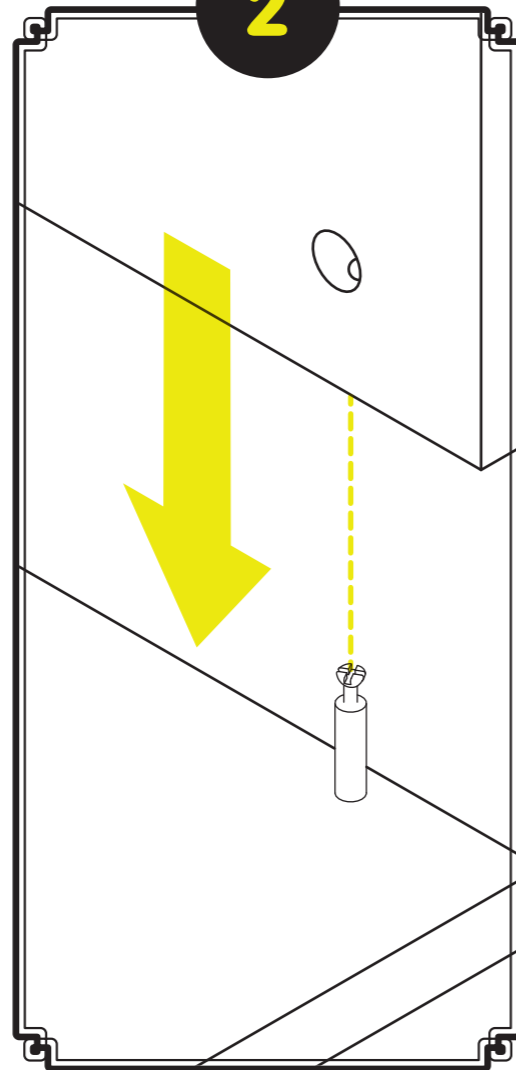
# HOW TO USE CAM LOCK HARDWARE



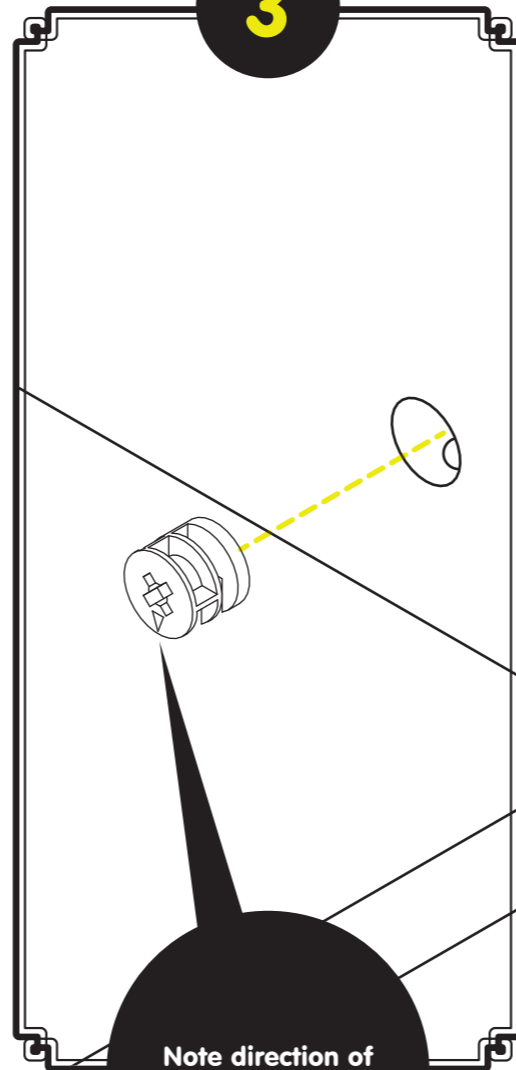
1



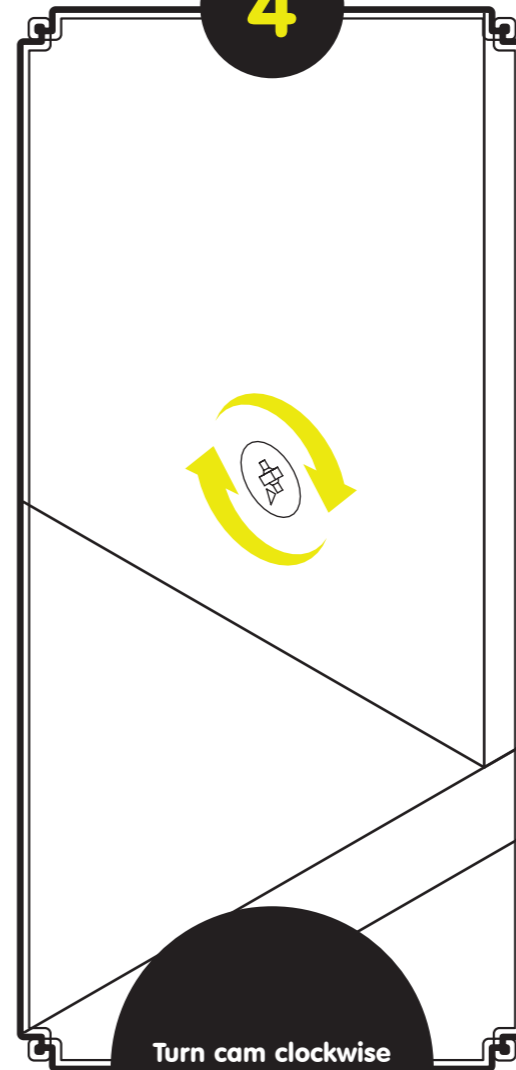
2



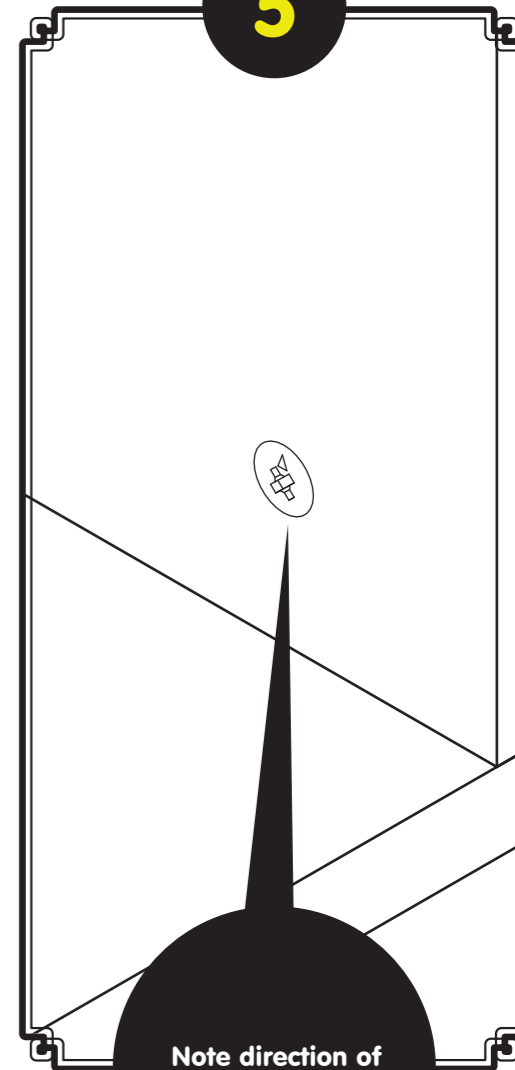
3



4

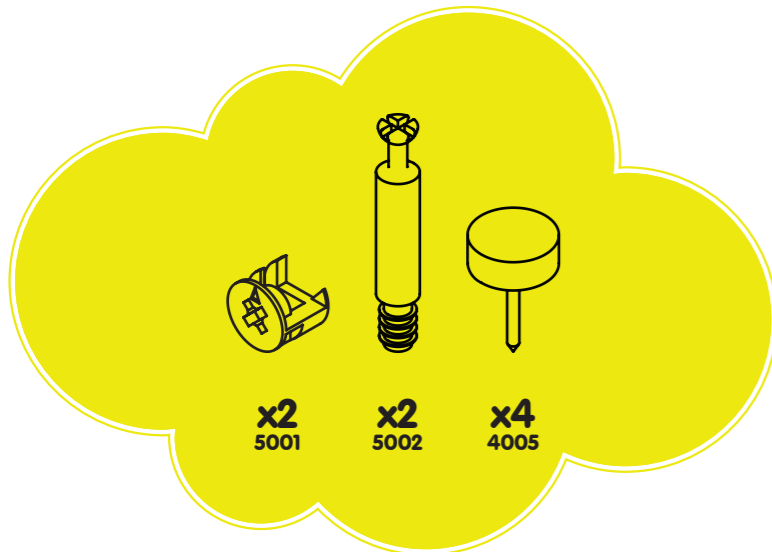
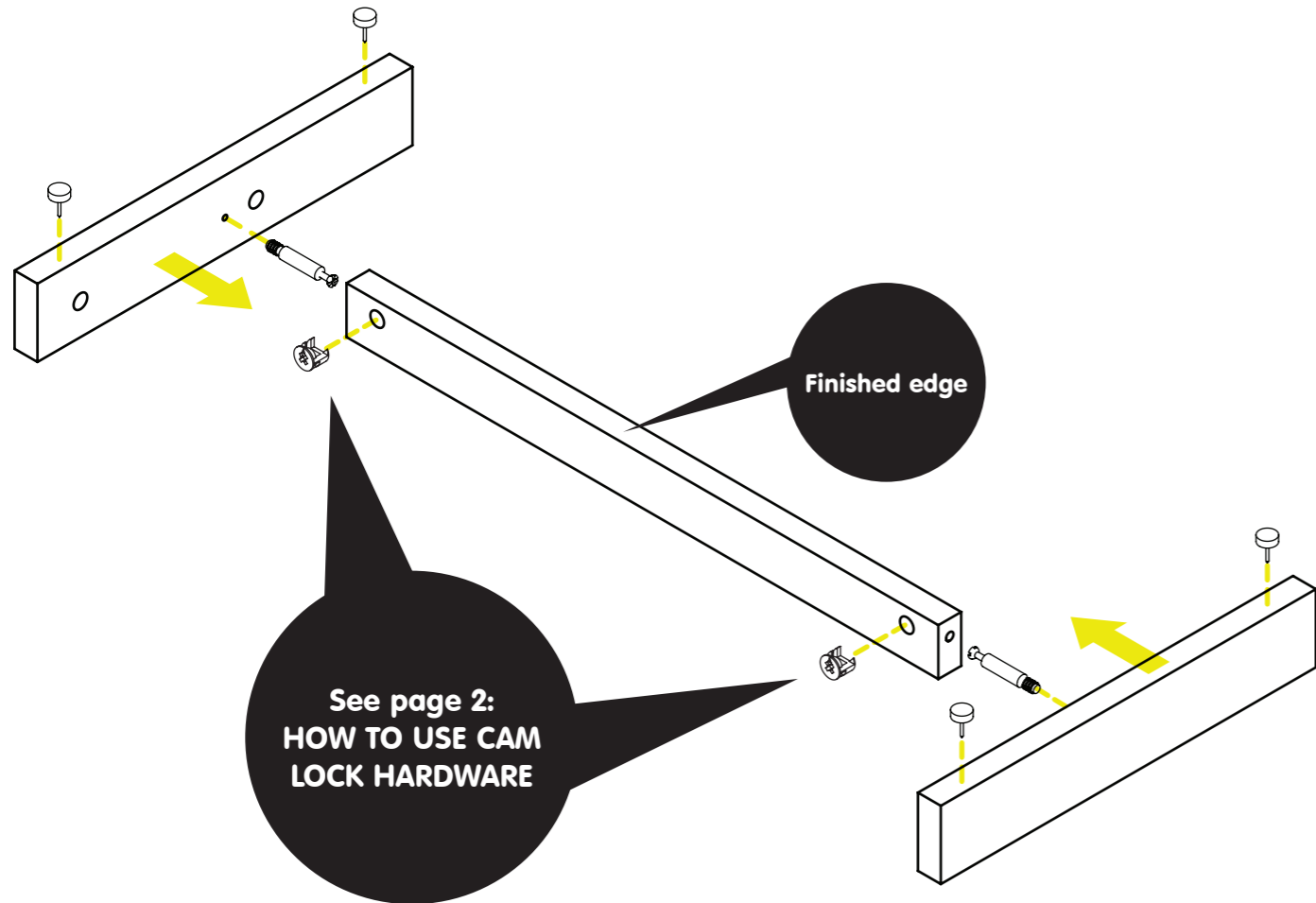


5

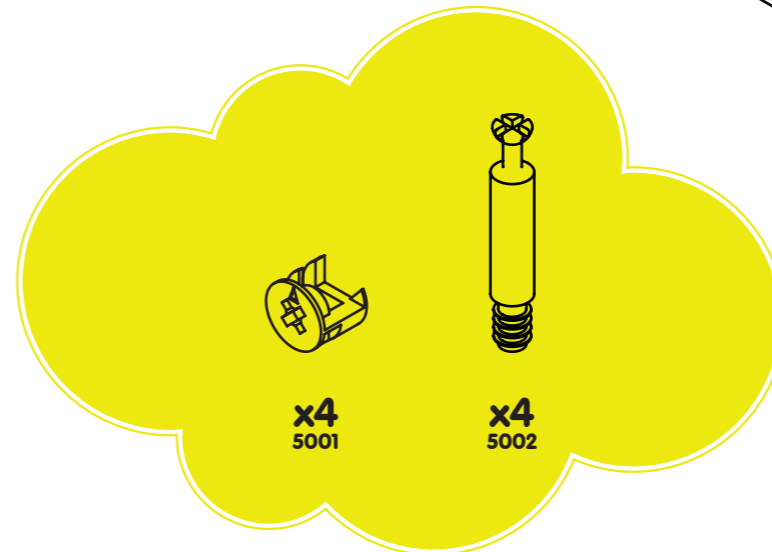
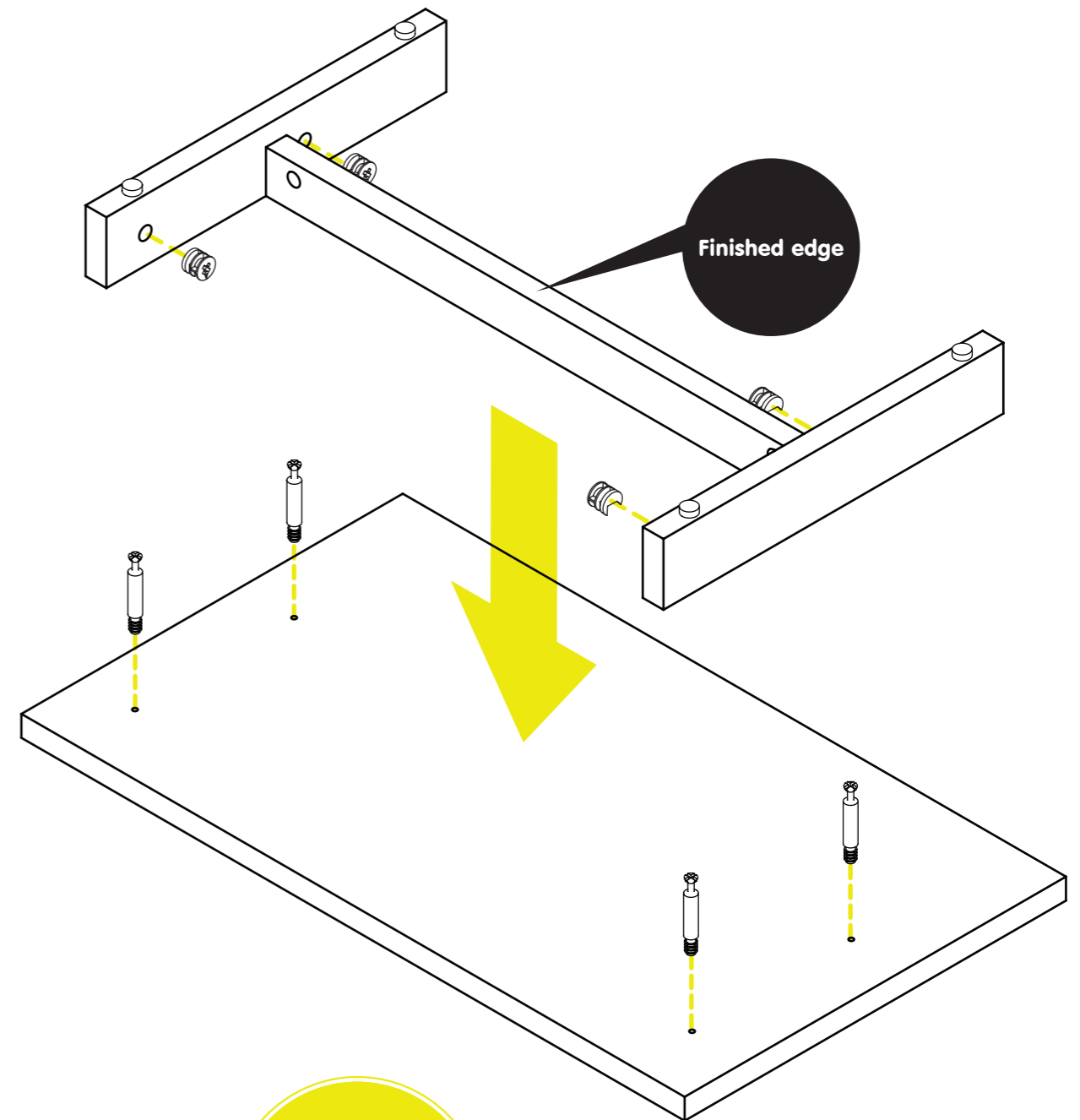


1

ASSEMBLE ON  
CARPET OR  
PROTECTIVE MAT

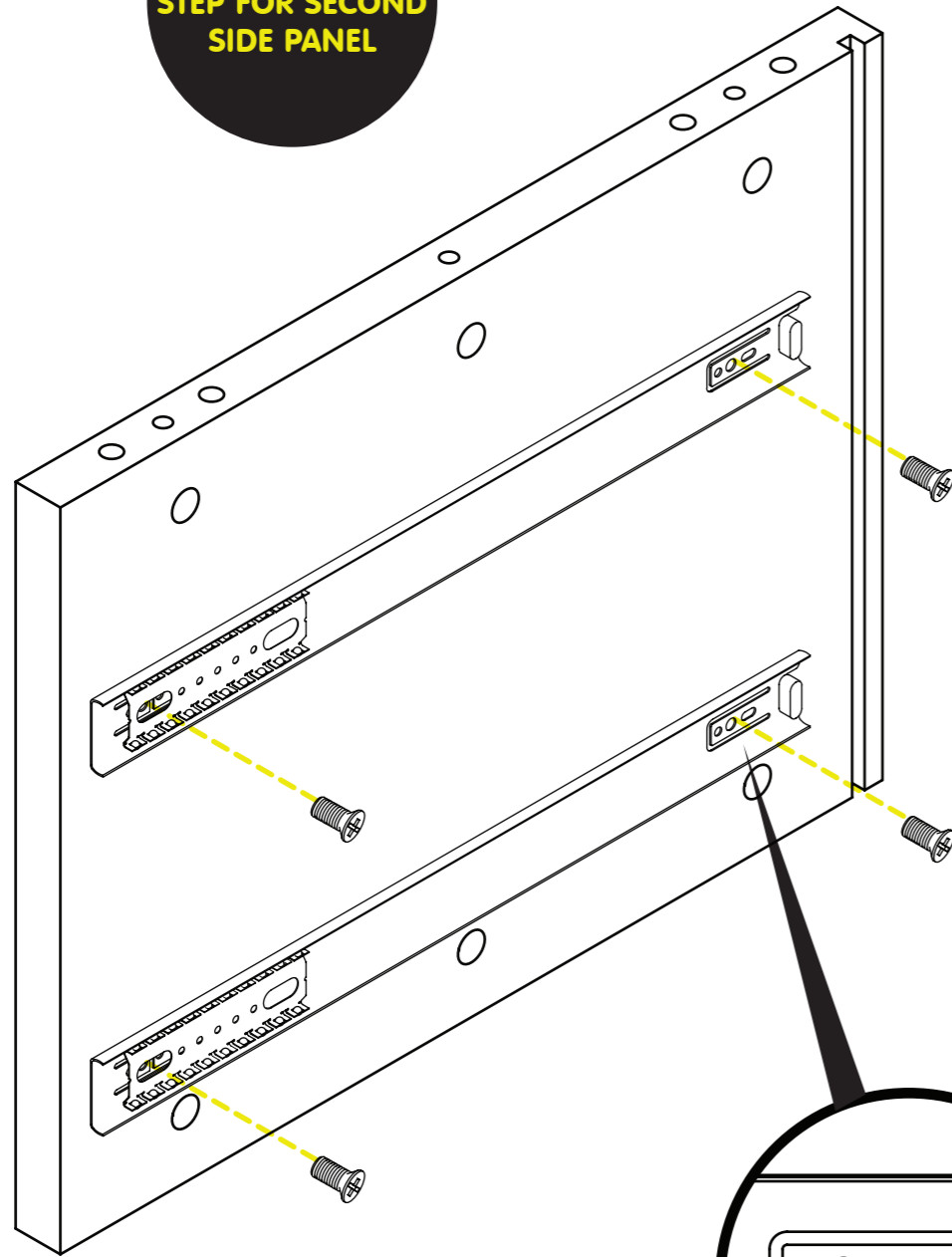


2



3

REPEAT THIS STEP FOR SECOND SIDE PANEL



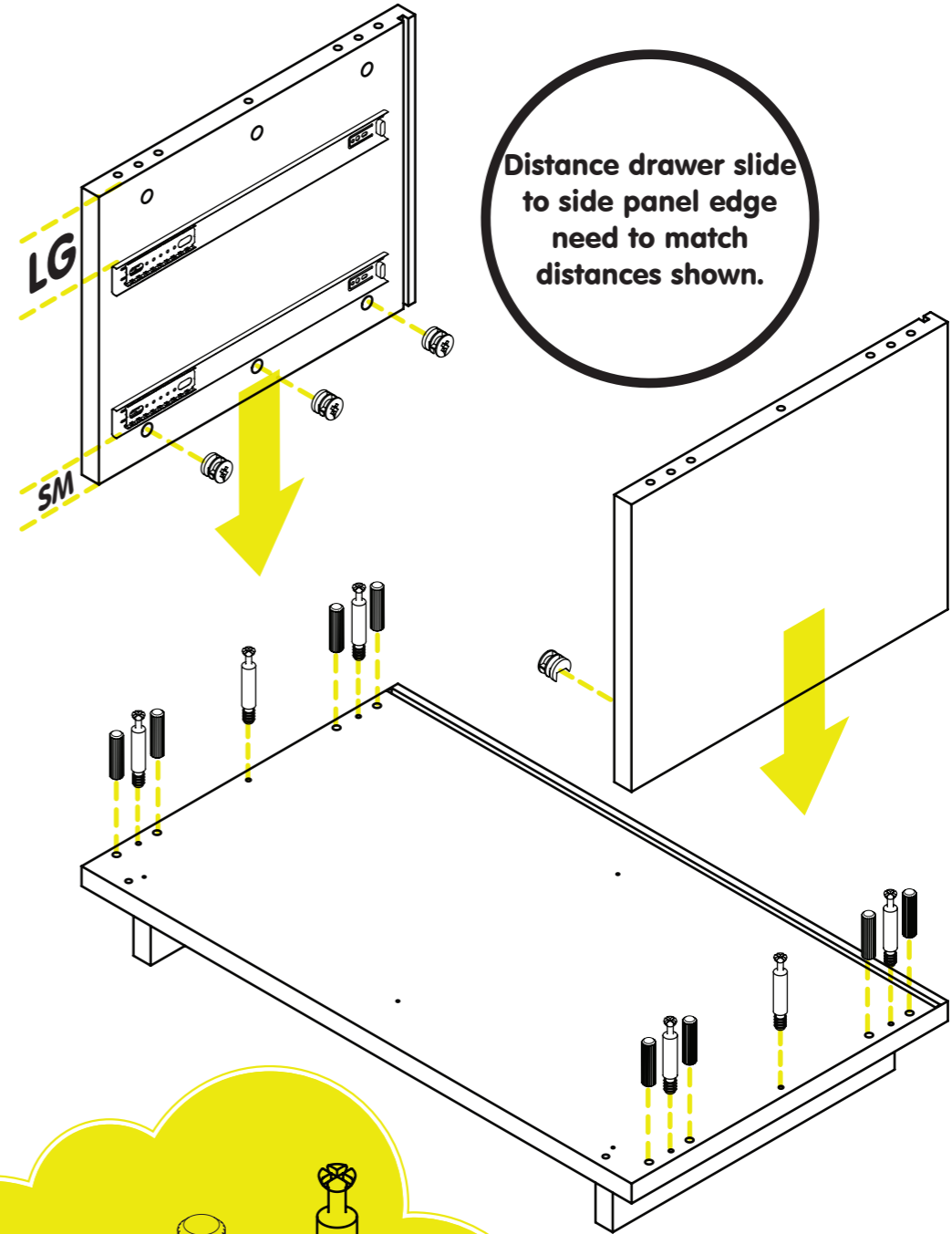
First screw goes here



x8  
5002

4

Distance drawer slide to side panel edge need to match distances shown.



x6  
5001

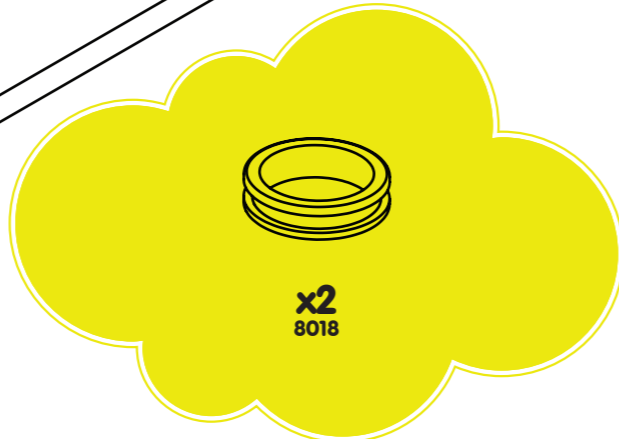
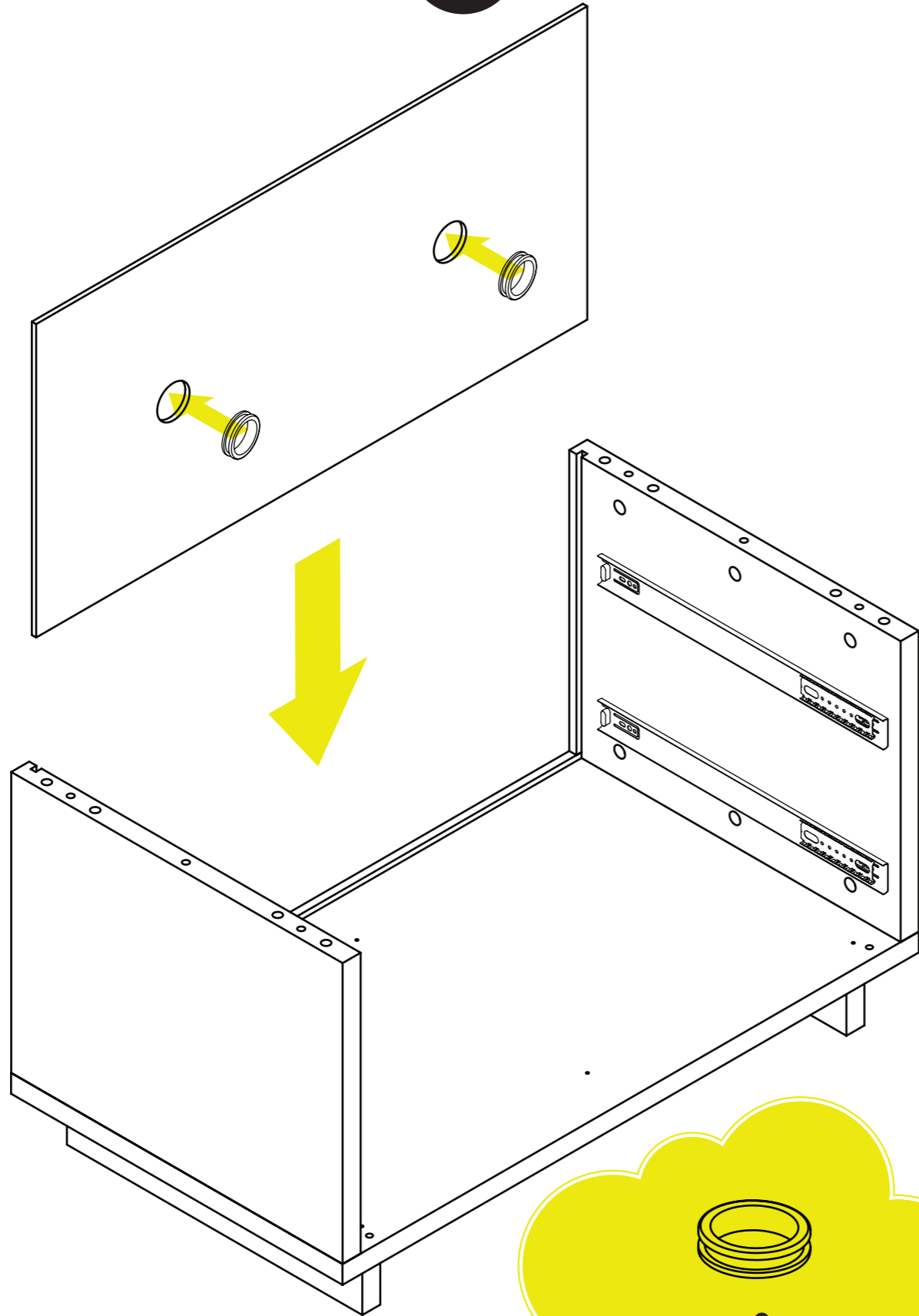


x8  
5005

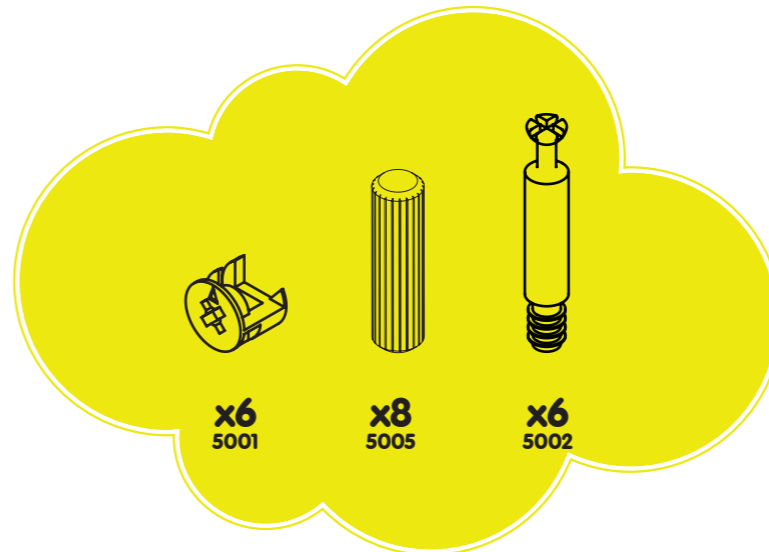
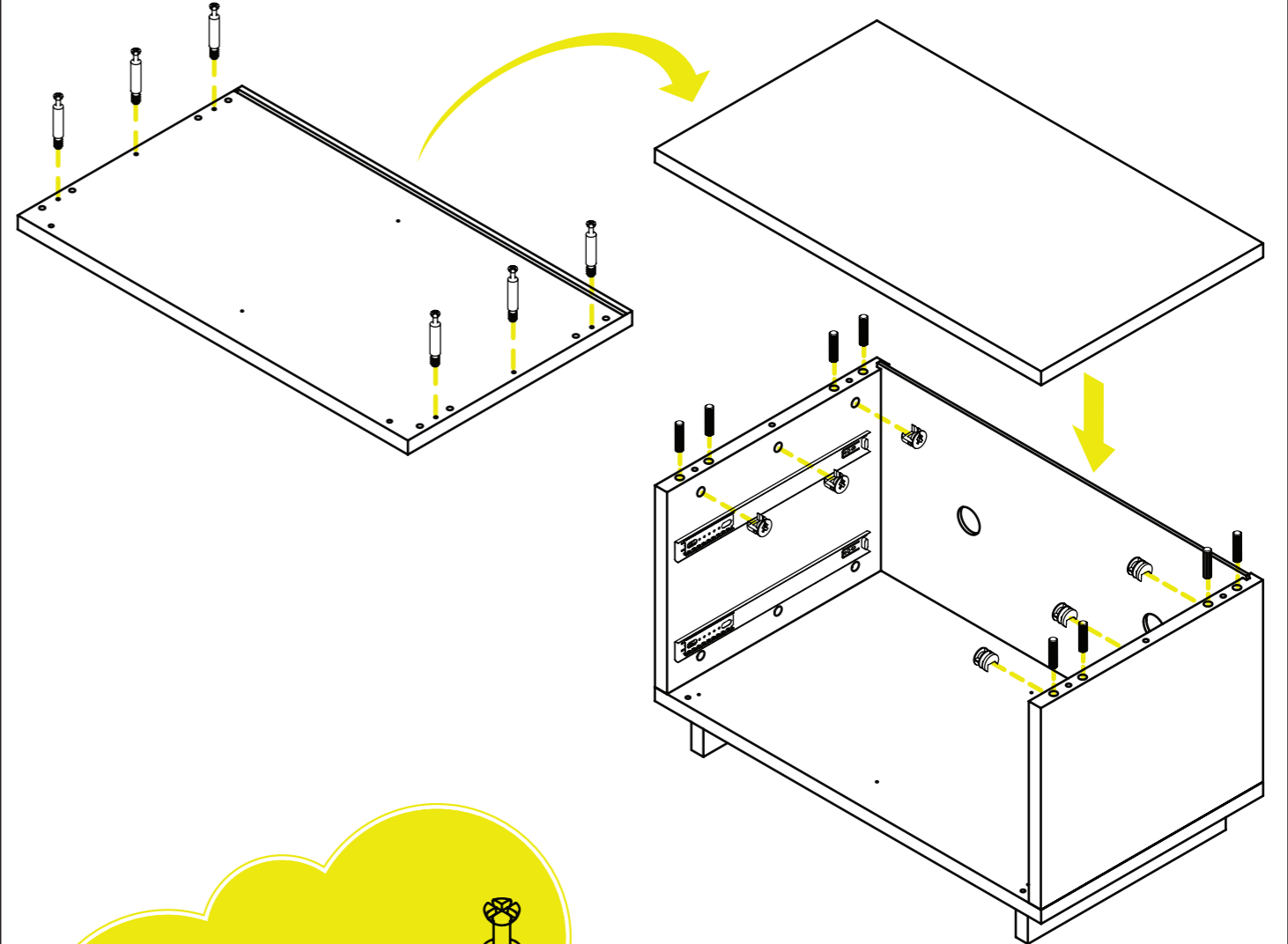


x6  
5002

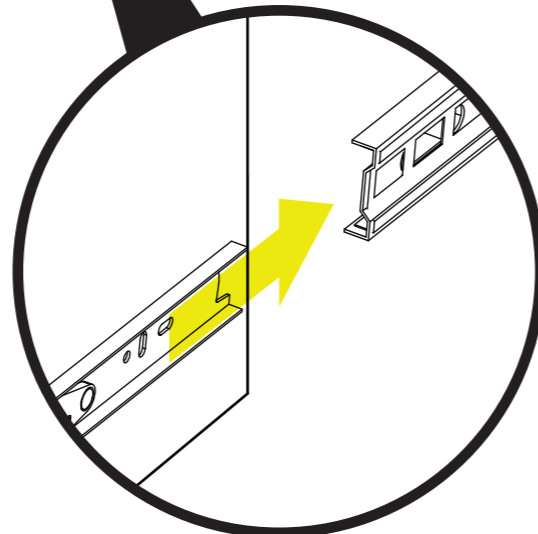
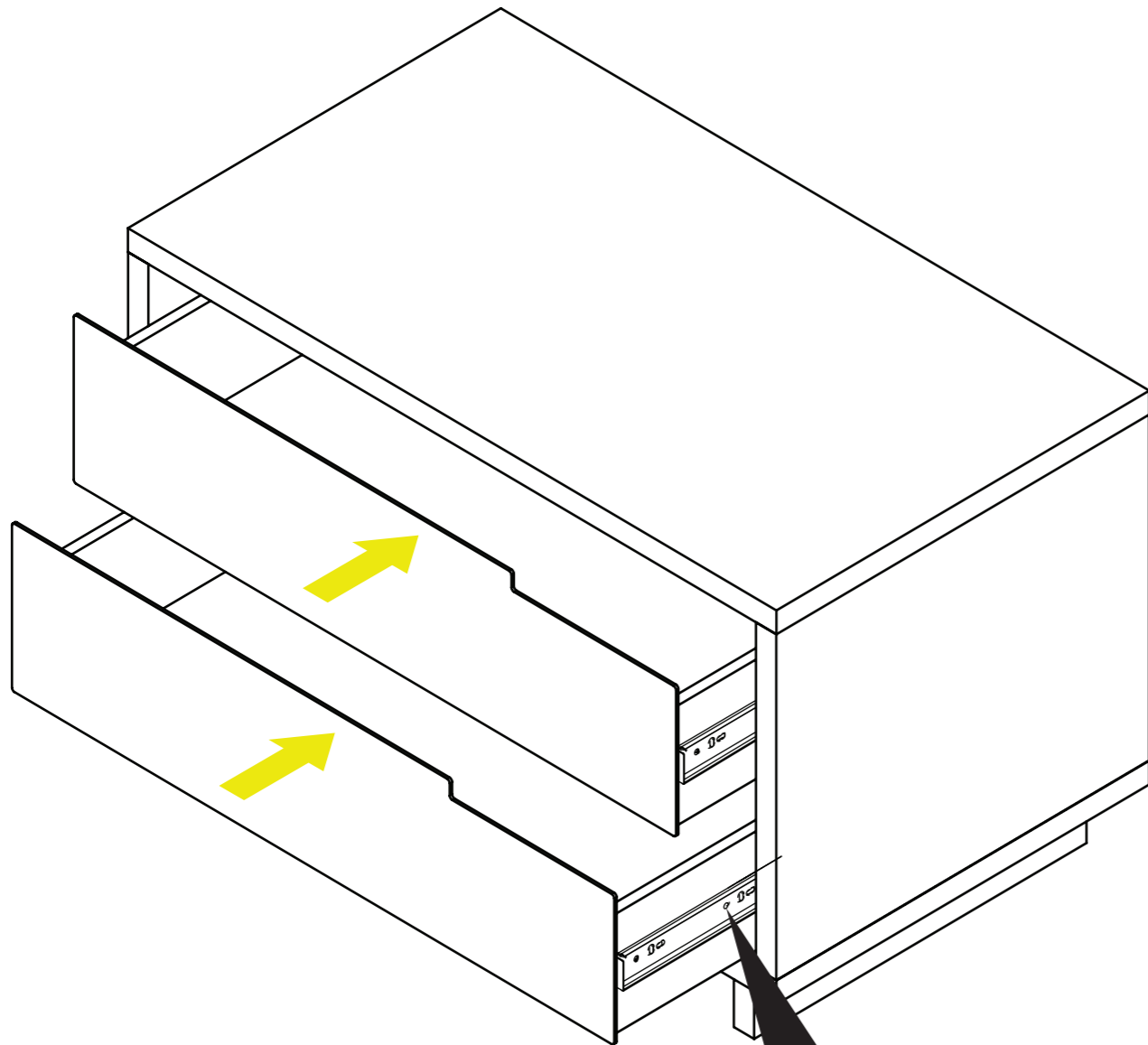
5



6

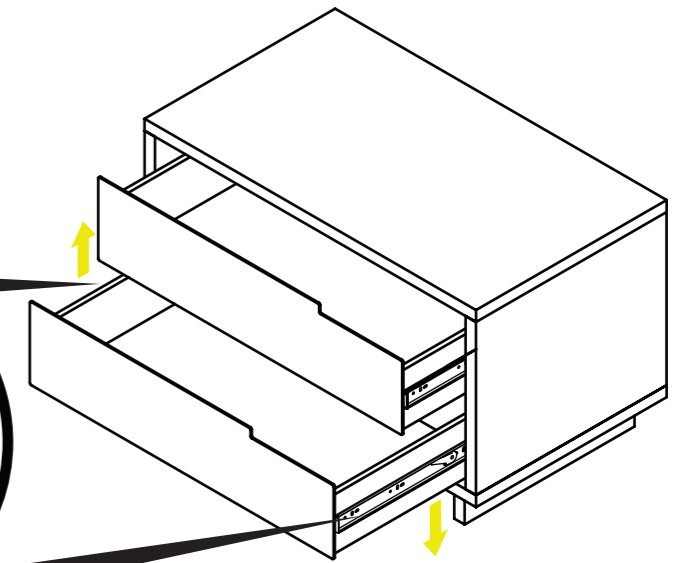
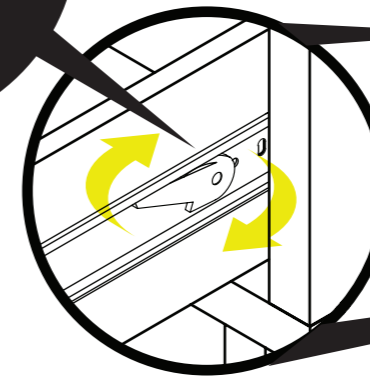


7

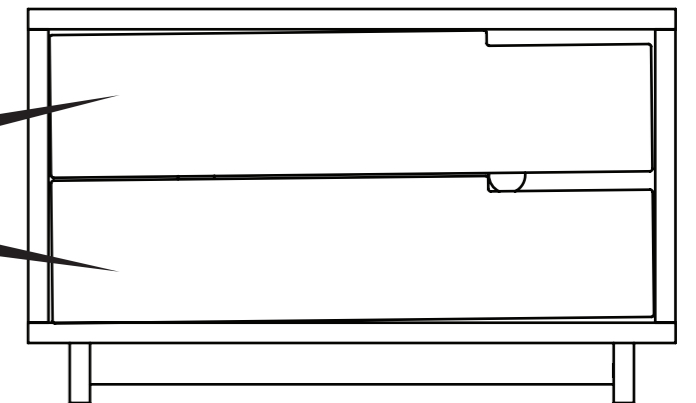


NOTES

To remove drawers, pull lever up on the right side and push lever down on the left side of the drawer slides. Pull drawer out.



Drawer fronts can be adjusted if drawer gaps are inconsistent.



Loosen the acorn nuts, shift the drawer front into place and ask a friend to hold the drawer front in place while you re-tighten the nuts (but don't over tighten).

