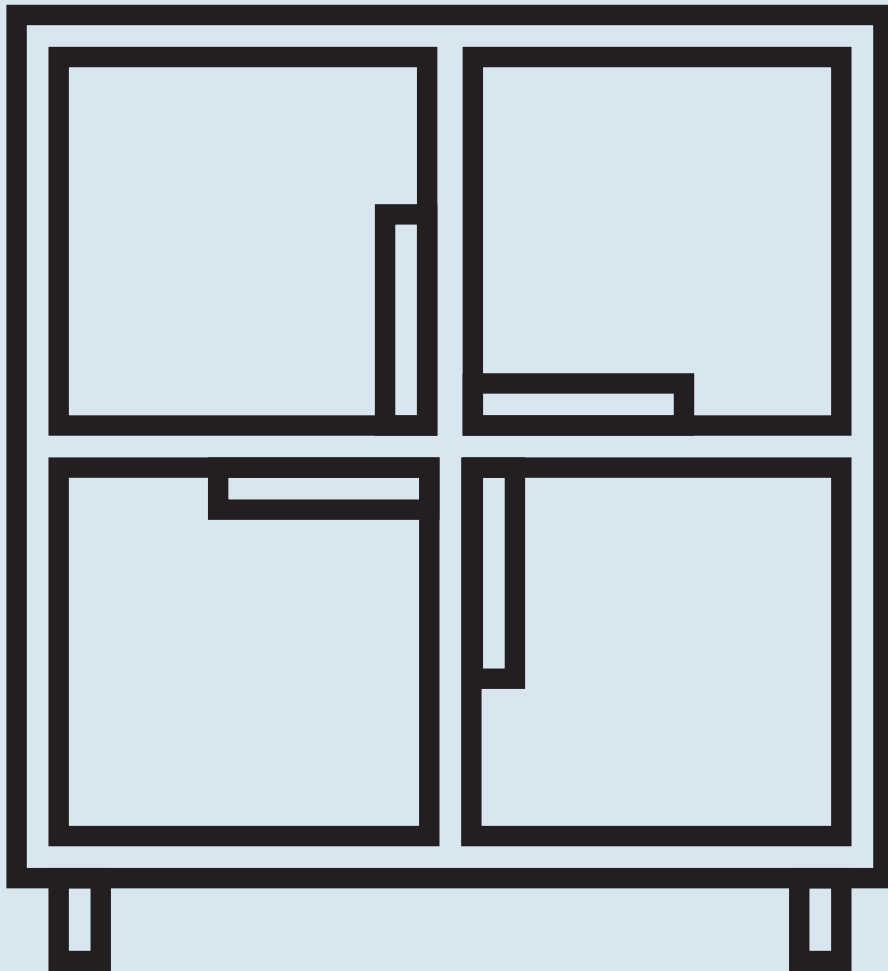


Modu-licious #3

DESIGNED IN 1999

ASSEMBLY NOTES | REV 00



YOU WANT CHOICES, WE GOT CHOICES.

Drawers and doors are your canvas with the award-winning Modu-licious series.

NEED A HAND?

Contact us at service@bludot.com or **844.425.8368** for assistance.

Parts & Hardware



QTY 24

Pt. 5005



QTY 24

Pt. 5002



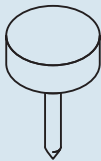
QTY 24

Pt. 5001



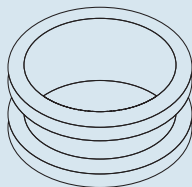
QTY 4

Pt. 8016



QTY 4

Pt. 4005



QTY 4

Pt. 8018



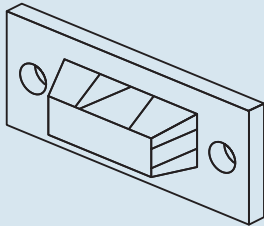
QTY 4

Pt. 8015



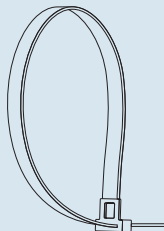
QTY 12

Pt. 1206



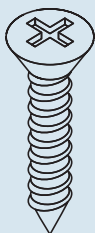
QTY 2

Pt. 8041



QTY 1

Pt. 8042



QTY 2

Pt. 1217



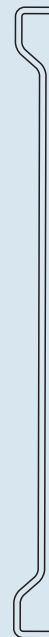
QTY 2

Pt. 1218



QTY 4

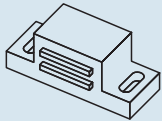
Pt. 8014



QTY 4

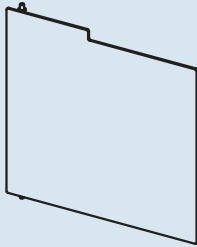
Pt. 8017

Parts & Hardware



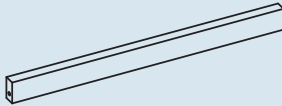
QTY 4

Pt. 8045



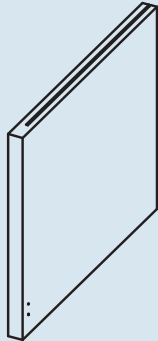
QTY 4

Door



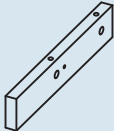
QTY 1

Stretcher



QTY 2

Partition Panel



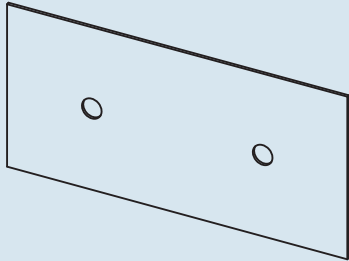
QTY 2

Foot



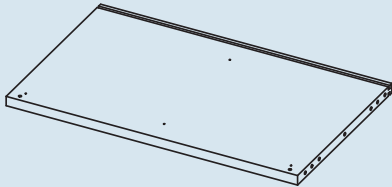
QTY 2

Side Panel



QTY 2

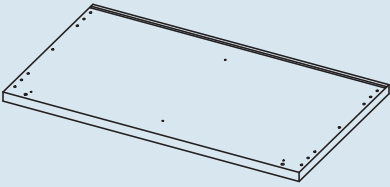
Back Panel



QTY 1

Center Panel

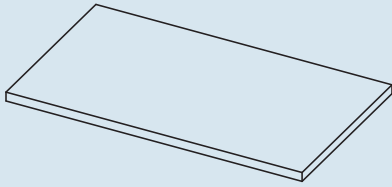
*panel has grooves on both sides



QTY 1

Bottom Panel

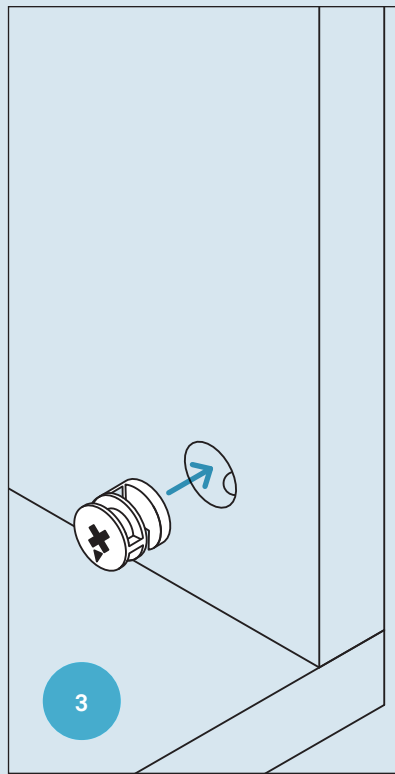
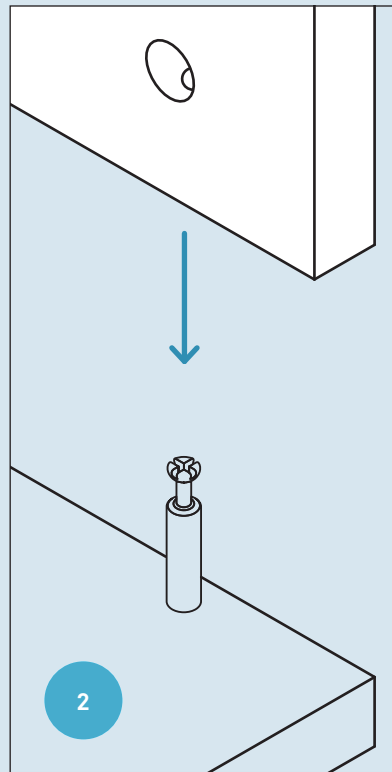
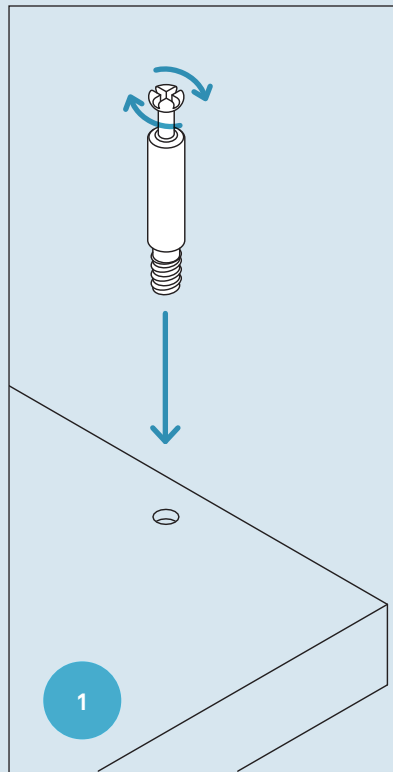
*panel has drilled holes on both sides



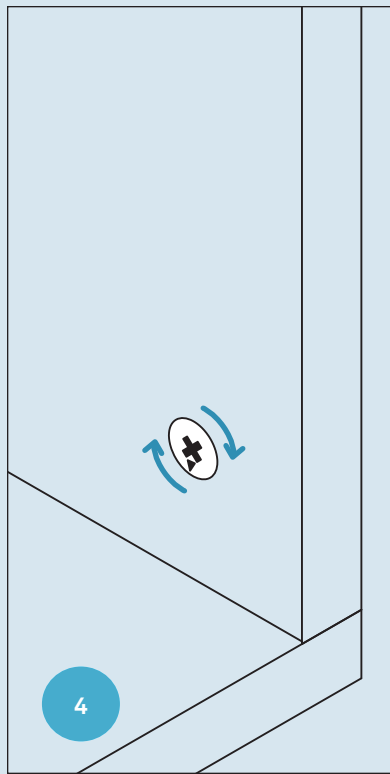
QTY 1

Top Panel

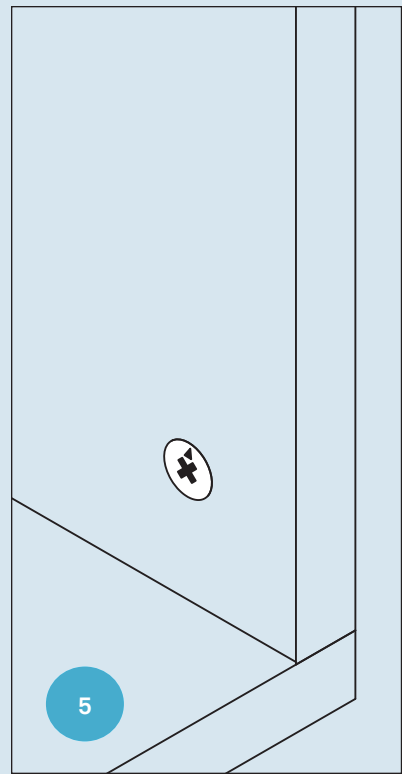
How to use the cam lock system



Note direction of cam arrow.



Turn cam clockwise 1/2 turn or until tight.

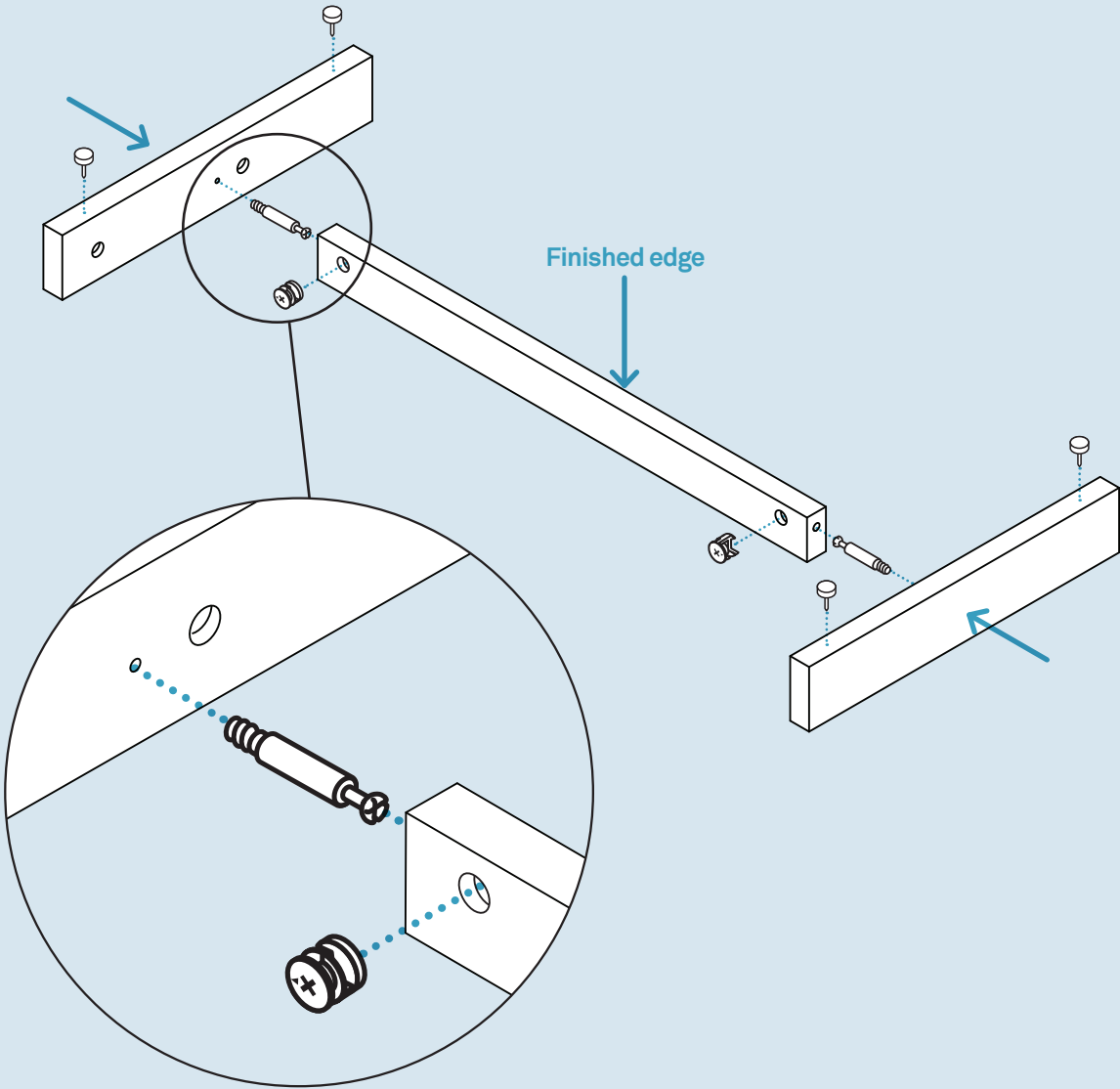




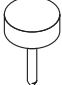
Note direction of cam arrow.

Step 01

ASSEMBLE BASE.

Using the stretcher and feet assemble the base as shown. Refer to page 3 on how to use the cam lock system.

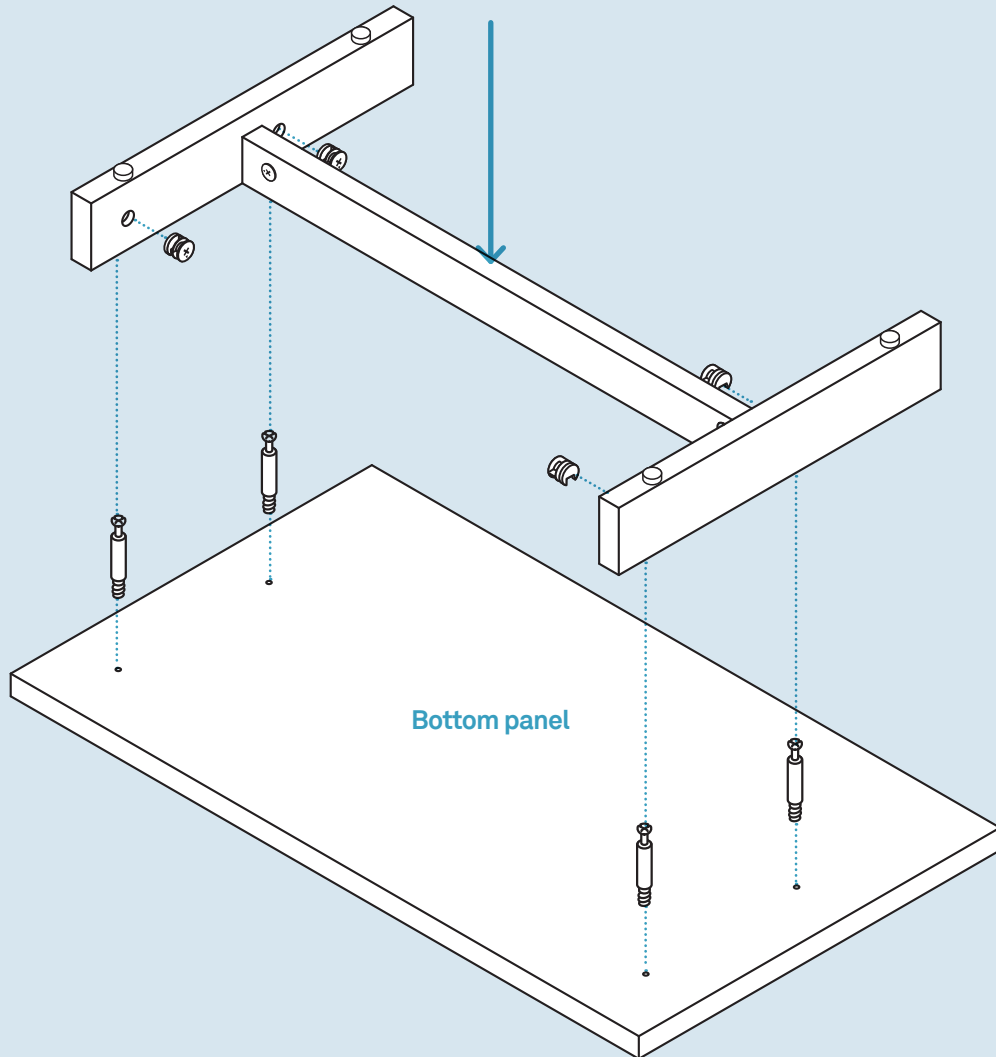


		
PT. 5001 x 2	PT. 5002 x 2	PT. 4005 x 4

Step 02

ATTACH BOTTOM PANEL.

Attach the bottom panel to the base using the provided hardware as shown. Refer to page 3 on how to use the cam lock system.



PT. 5001 x 4

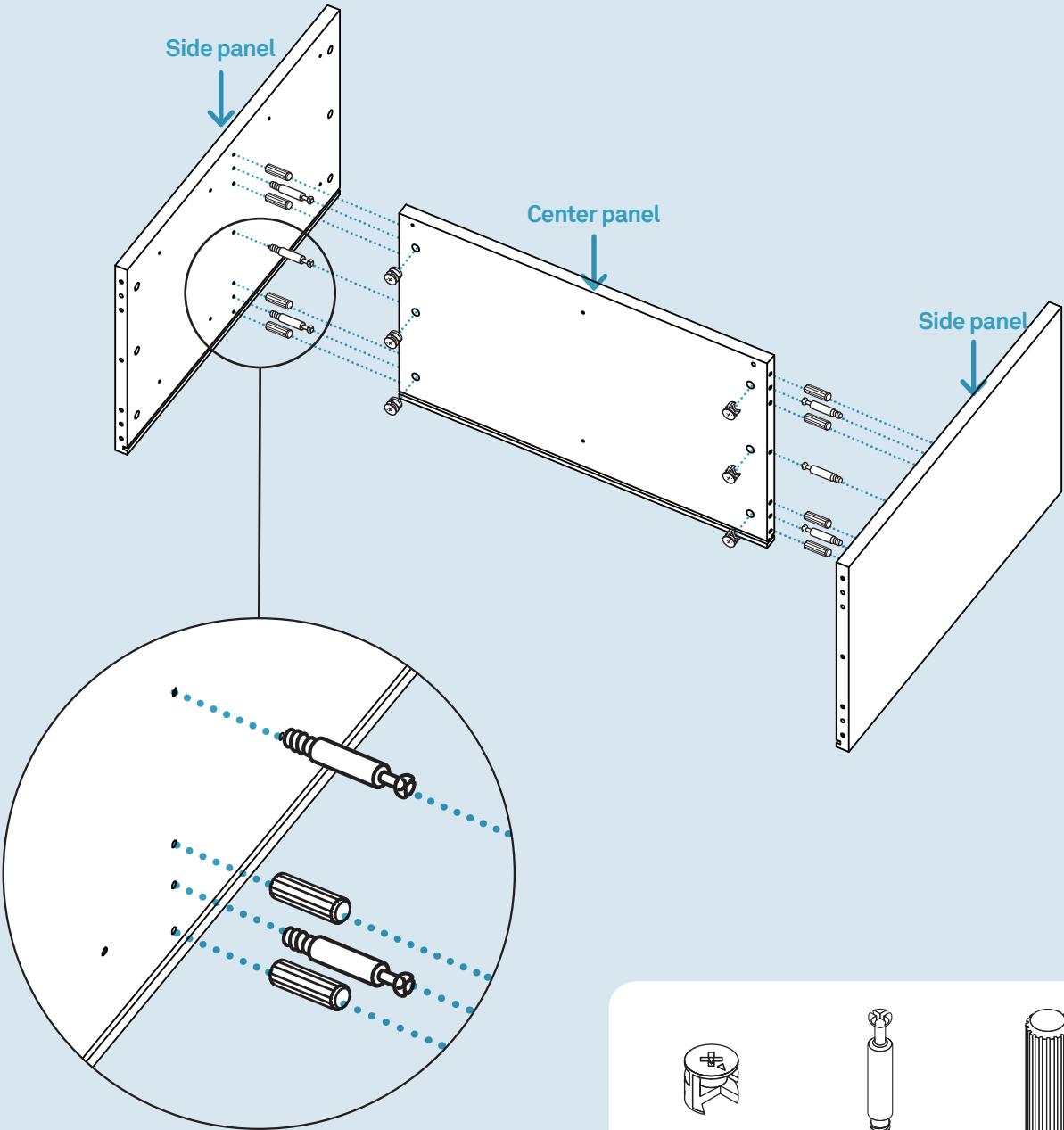


PT. 5002 x 4

Step 03

BEGIN ASSEMBLING CASE.

Attach side panels to center panel as shown using the provided hardware. Be sure to align grooves on center and side panels. Refer to page 3 on how to use the cam lock system.

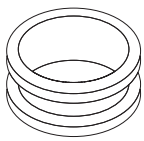
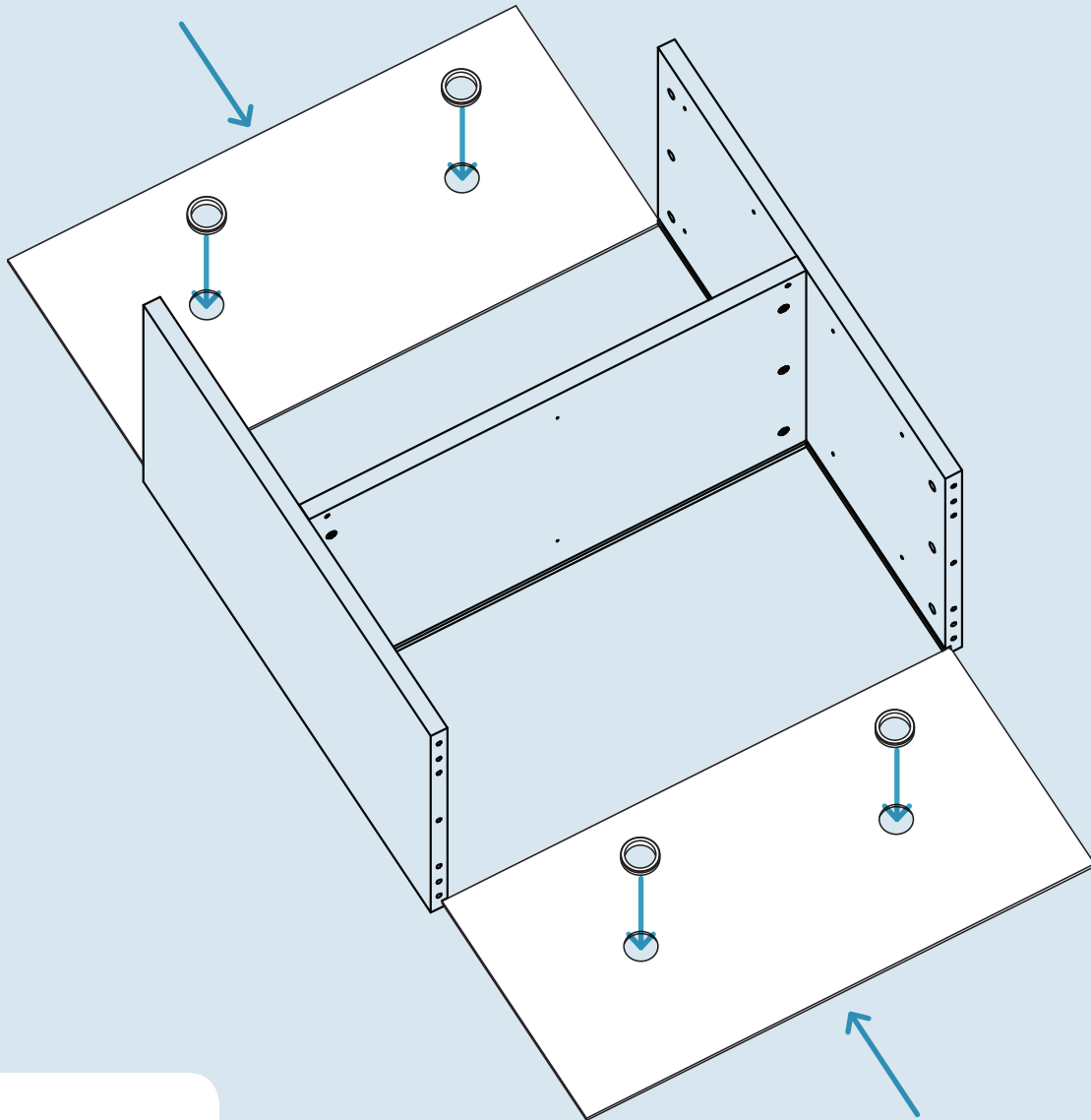


PT. 5001 x 6 PT. 5002 x 6 PT. 5005 x 8

Step 04

INSERT BACK PANELS.

Add rubber grommets to each back panel as shown. Insert back panels into grooves in case.

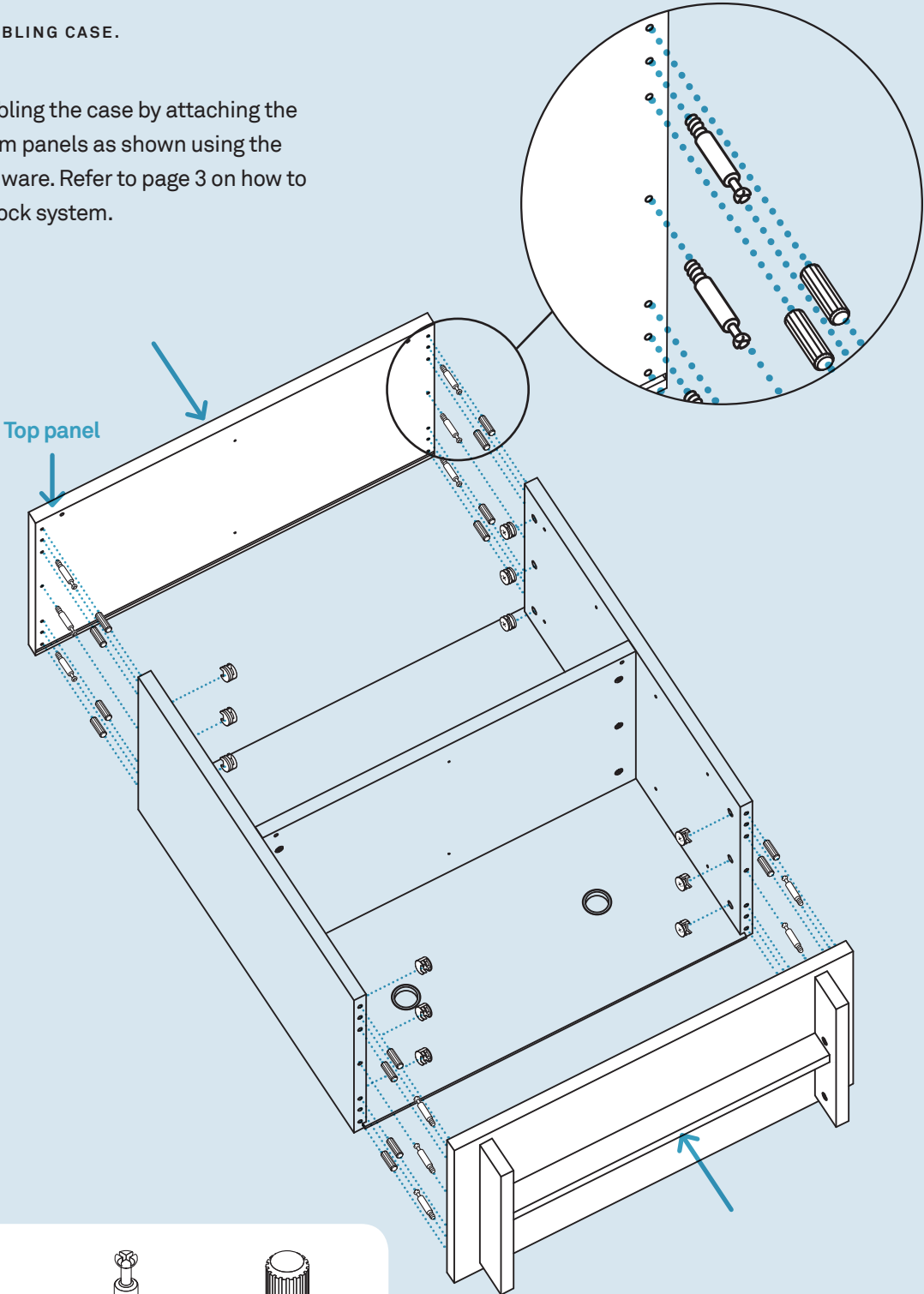


PT. 8018 x 4

Step 05

FINISH ASSEMBLING CASE.

Finish assembling the case by attaching the top and bottom panels as shown using the provided hardware. Refer to page 3 on how to use the cam lock system.

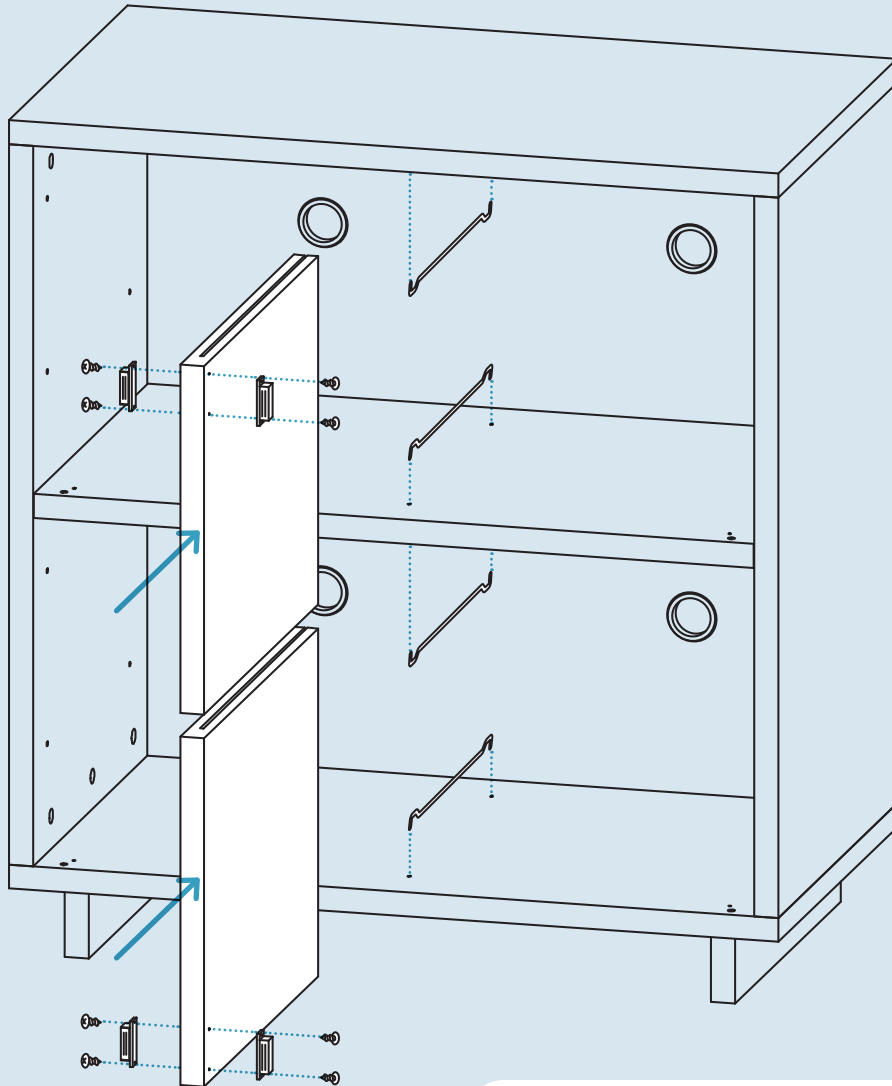


PT. 5001 x 12 PT. 5002 x 12 PT. 5005 x 16

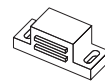
Step 06

INSERTING THE PARTITION PANELS.

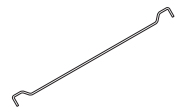
Attach the metal brackets and magnet catches as shown. Align partition panel grooves with brackets and slide into place.



PT. 1206 x 8



PT. 8045 x 4

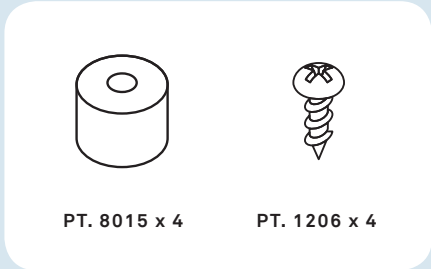
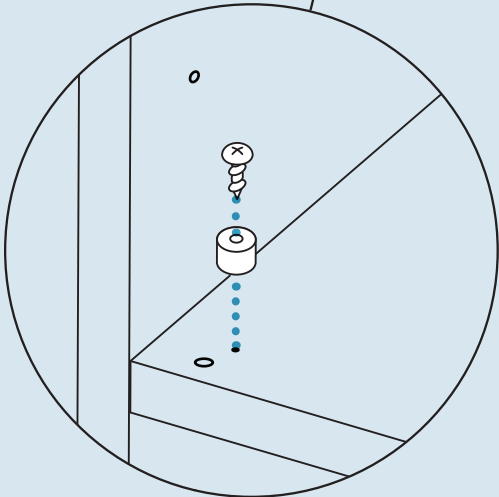
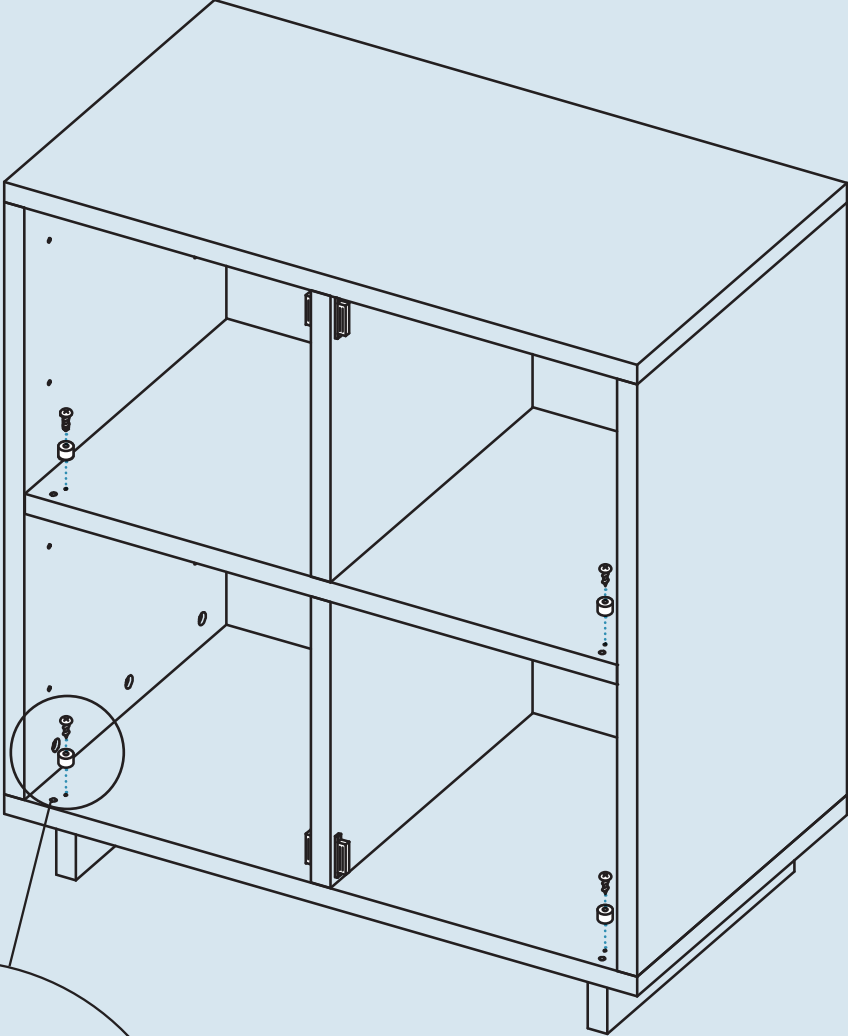


PT. 8017 x 4

Step 07

ATTACH DOOR BUMPERS.

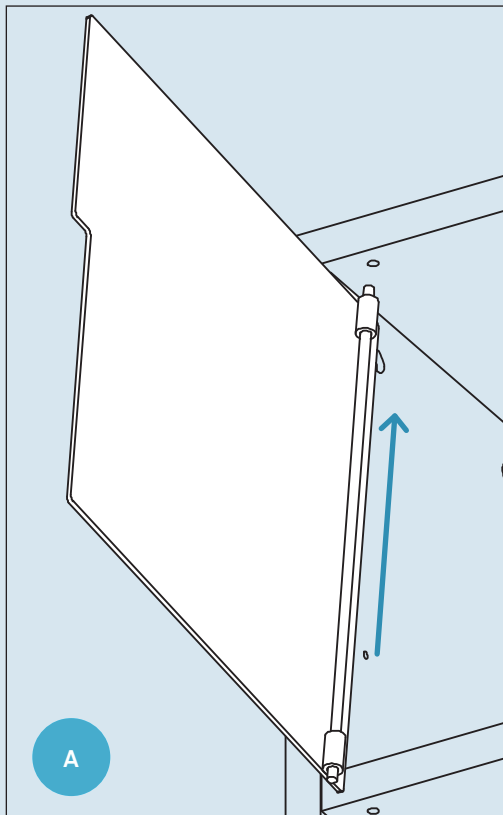
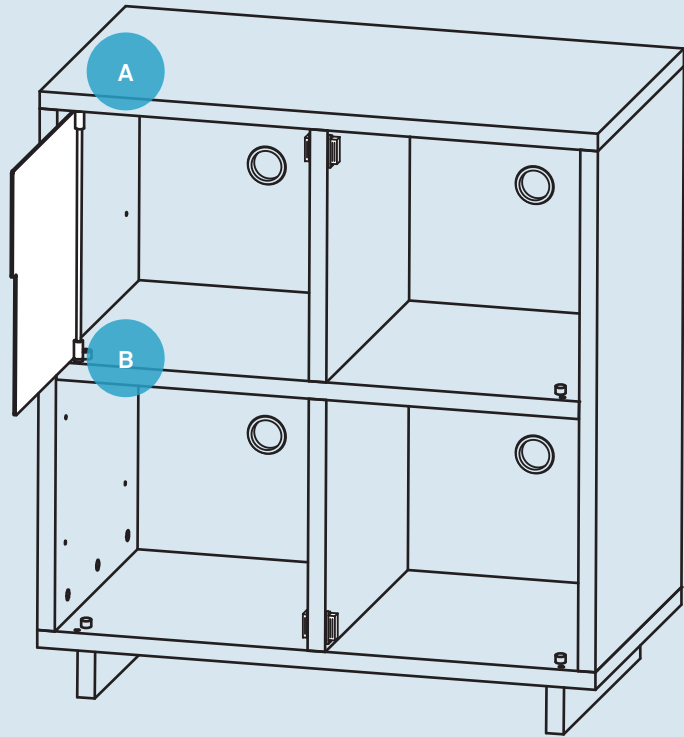
Attach the door bumpers as shown using the provided hardware.



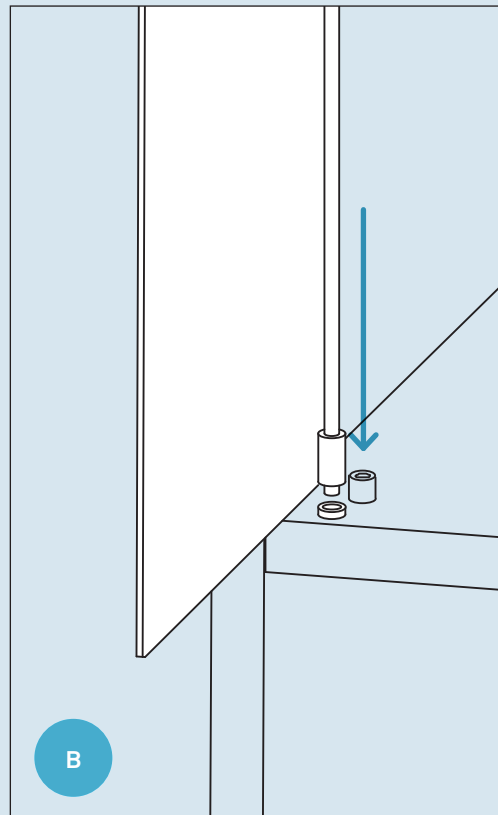
Step 08

INSTALL DOORS.

To install the doors, start by sliding the metal rod through the brackets on the back of each door. Next install doors as shown below.



Angle door and push rod into the pre-drilled hole on the underside of the top panel.



Align rod with with lower pre-drilled hole. Slide rod through plastic washer and into pre-drilled hole.



PT. 8014 X 4

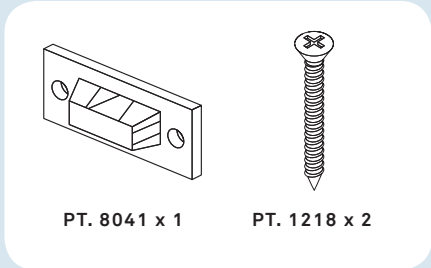
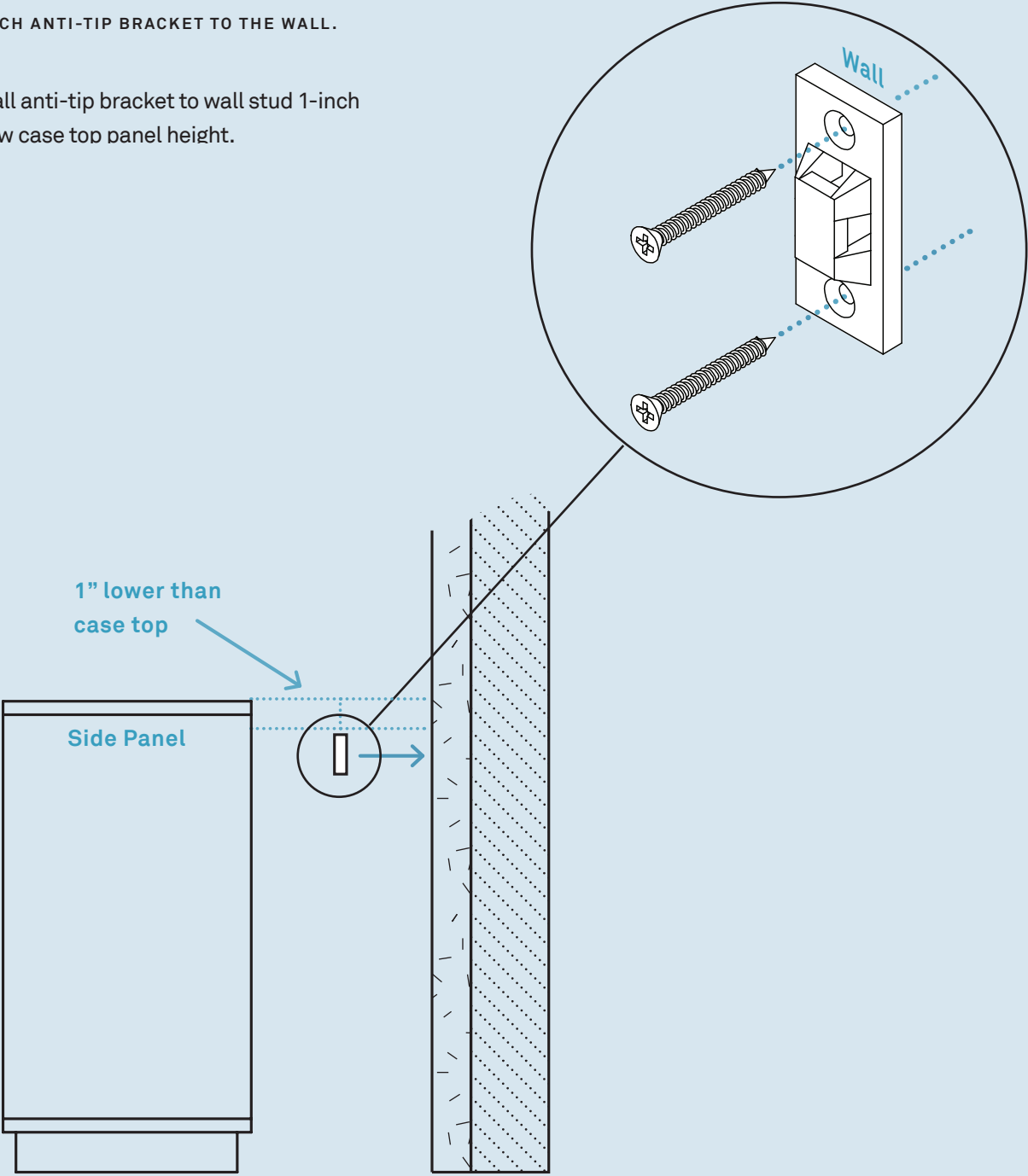


PT. 8016 X 4

Step 09

ATTACH ANTI-TIP BRACKET TO THE WALL.

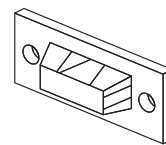
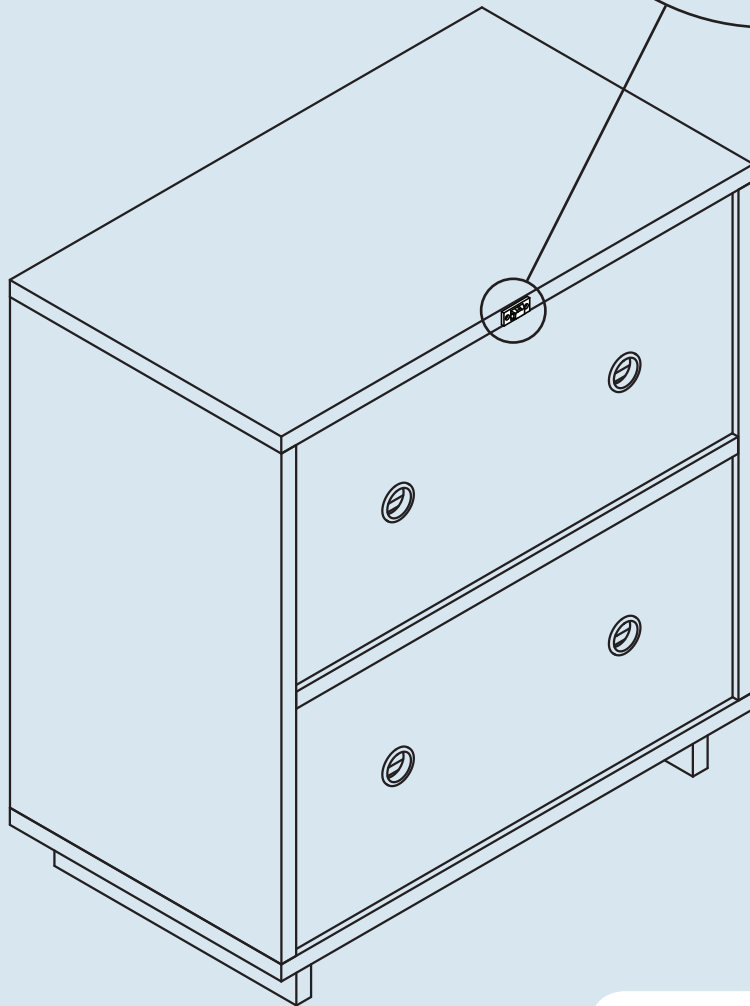
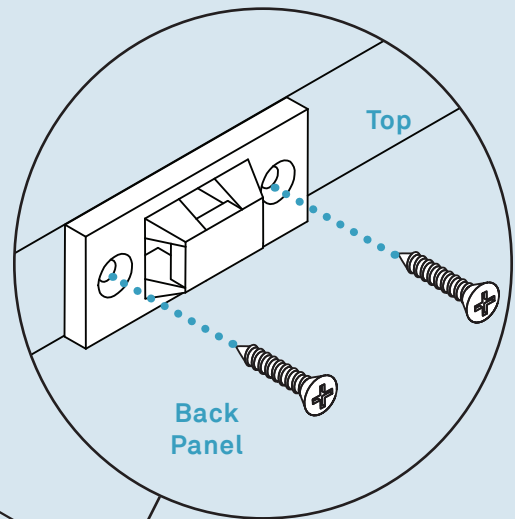
Install anti-tip bracket to wall stud 1-inch below case top panel height.



Step 10

INSTALL ANTI-TIP BRACKET TO CASE.

Bracket must be installed to top panel of case. In order to prevent damage, it is recommended that 3/32" pilot holes be drilled prior to installation.



PT. 8041 x 1

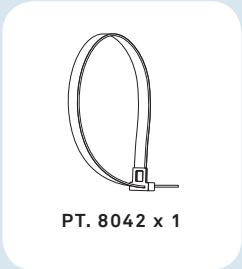
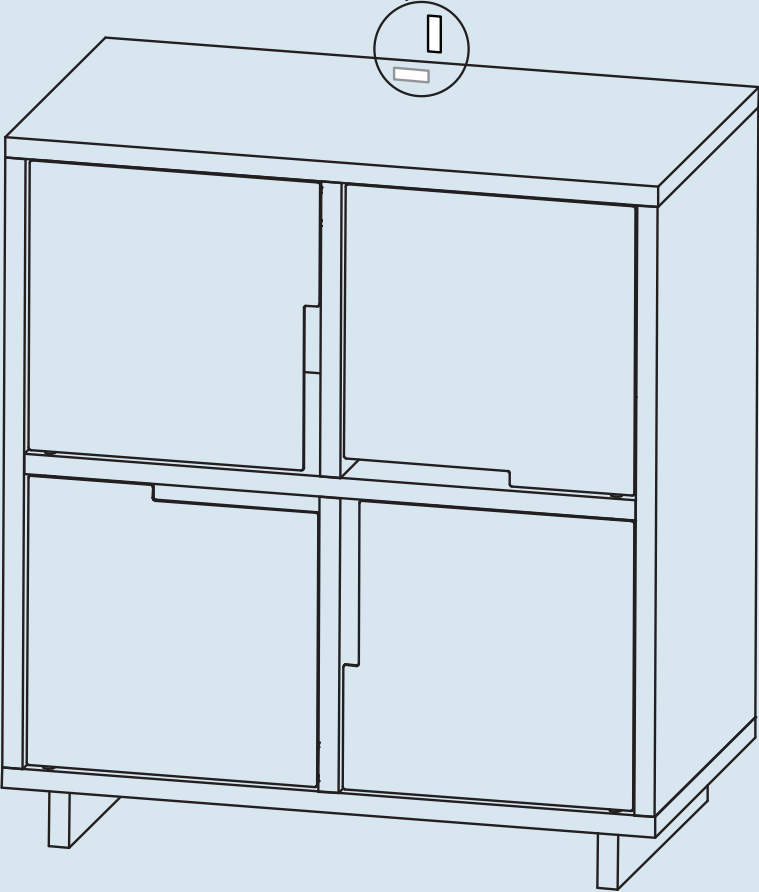
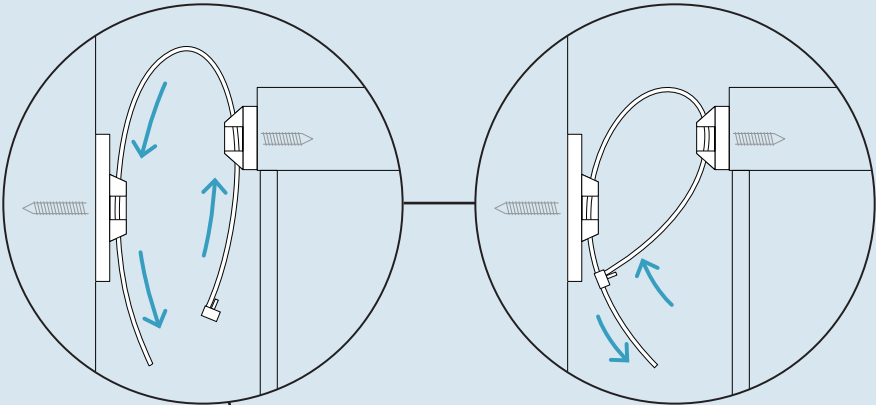


PT. 1217 x 2

Step 11

SECURE THE CASE.

Install and tighten the strap prior to using the product.



Additional Information

CLEAN

Clean with a slightly damp, soft cloth. To remove dirt and fingerprints, use a quality cleaner formulate for wood furniture. Wipe completely dry with a soft cloth in the direction of the wood grain.

