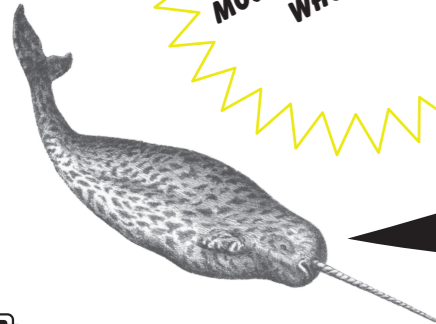


MODULICIOUS

#4

ASSEMBLY INSTRUCTIONS

MODULAR AND STYLISH,
WHO KNEW?



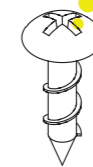
ANTI-TIP HARDWARE

x1
8043



*
CONSULT YOUR
LOCAL HARDWARE
PROFESSIONAL TO
DETERMINE THE
HARDWARE BEST
SUITED FOR YOUR
TYPE OF WALL..

x1
1201



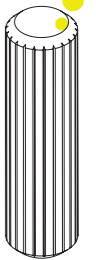
x2
3009



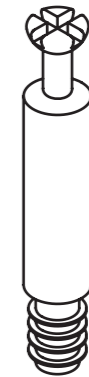
not
included

HARDWARE

x24
5005



x24
5002



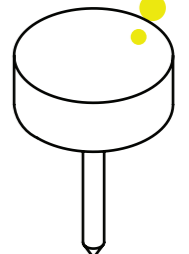
x24
5001



x16
1023

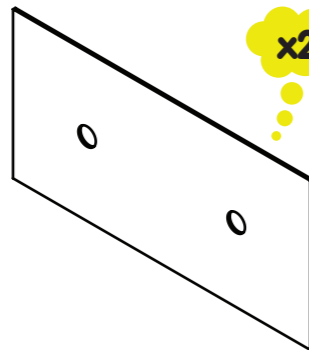


x4
4005



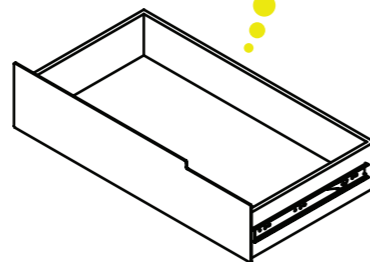
PARTS LIST

x2



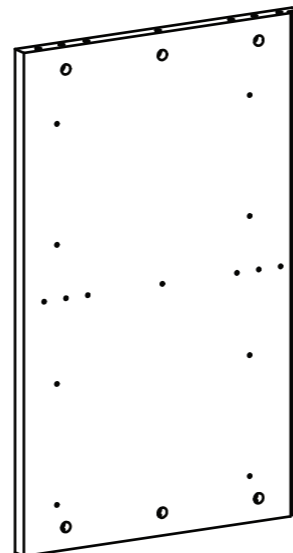
Back Panel

x4



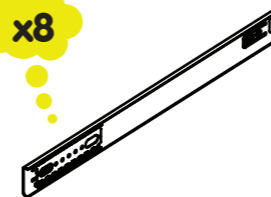
Drawer

x2

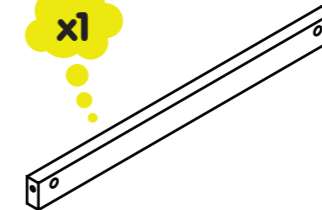


Side Panel

x8

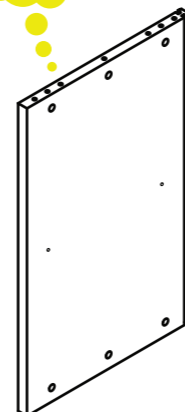


Drawer Slide



Stretcher

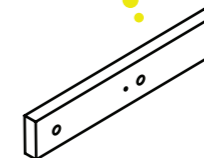
x1



Center Panel

Panel
has notched
edge on
both sides.

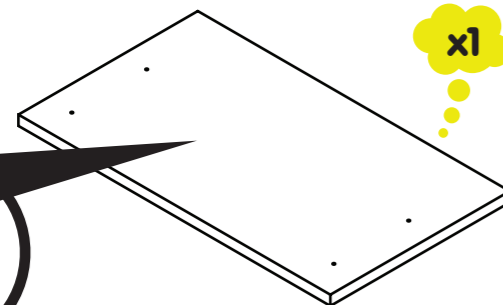
x2



Foot

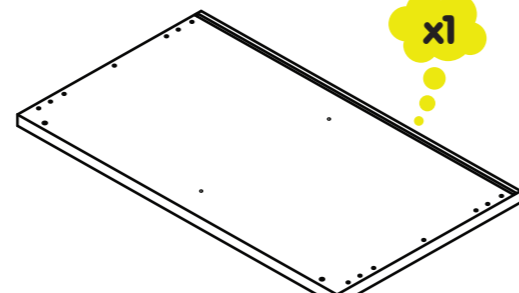
Panel has
pre-drilled
holes on
both sides.

x1

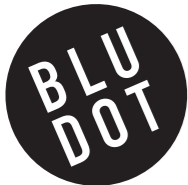


Bottom Panel

x1



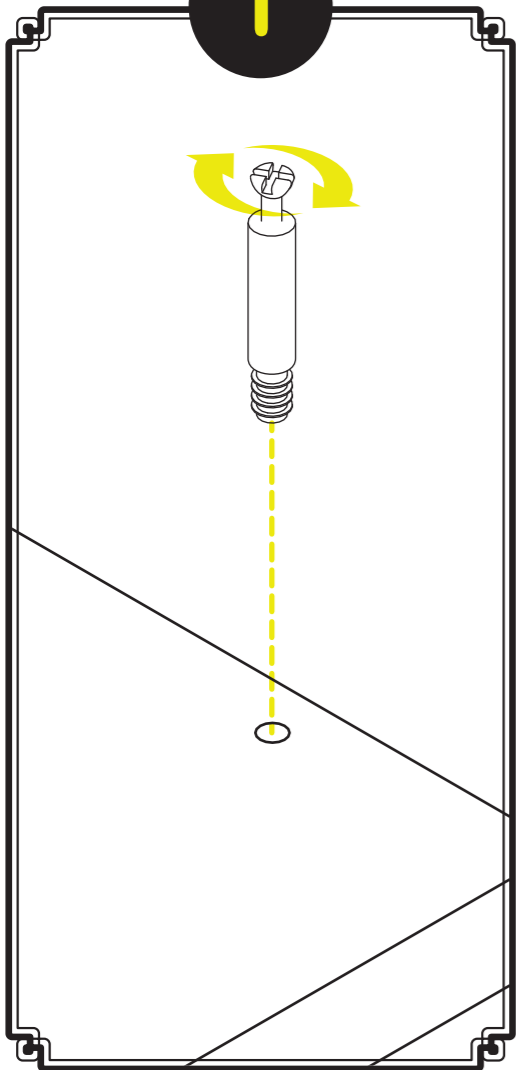
Top Panel



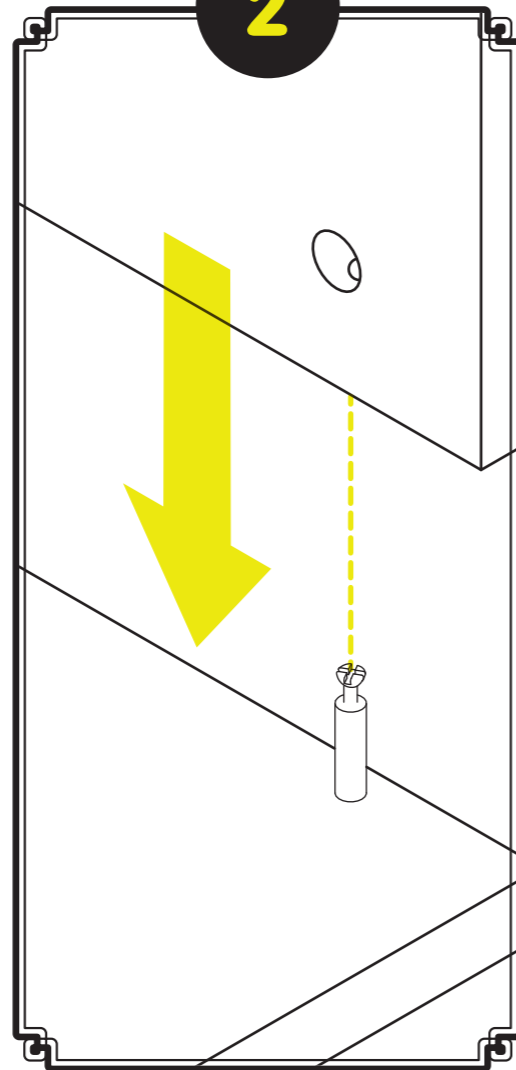
HOW TO USE CAM LOCK HARDWARE



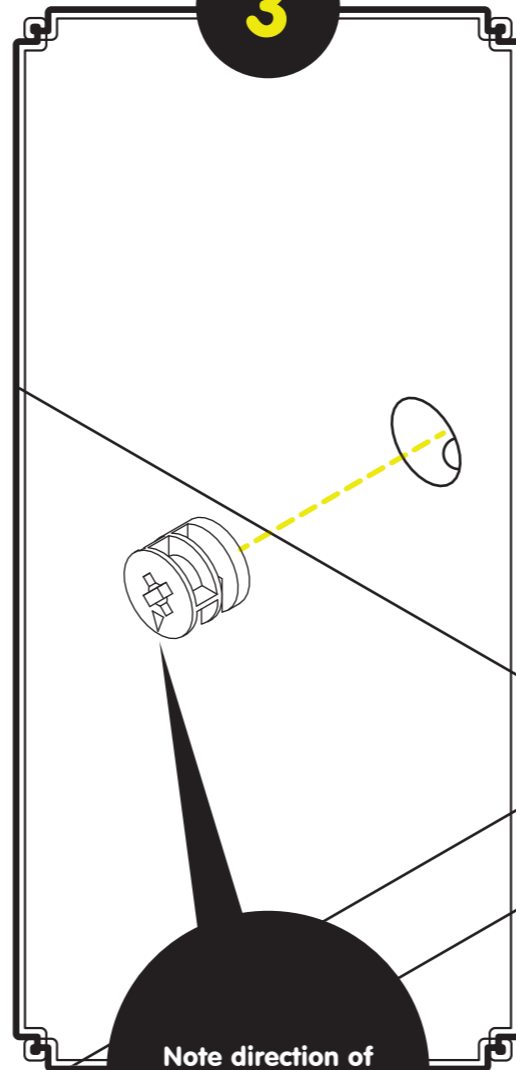
1



2

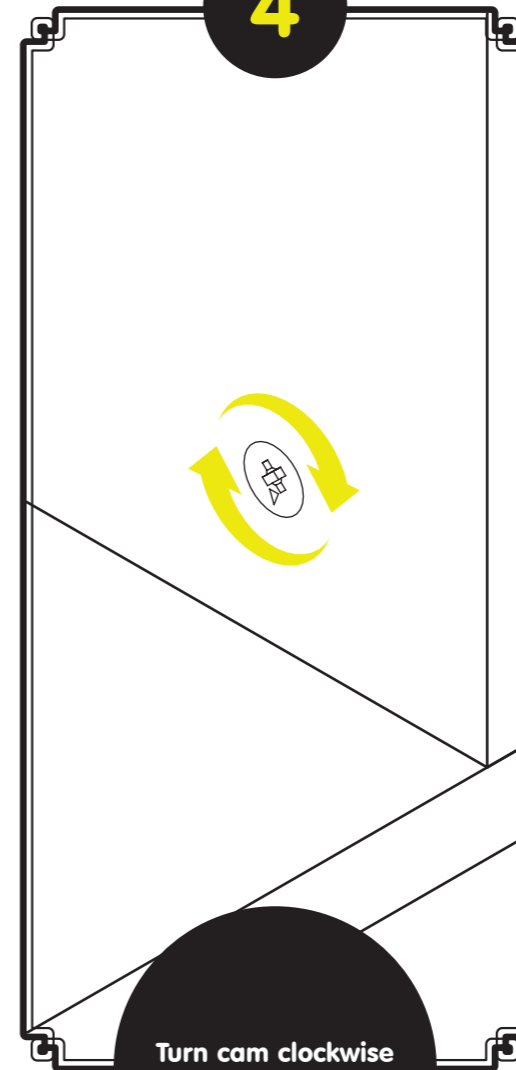


3



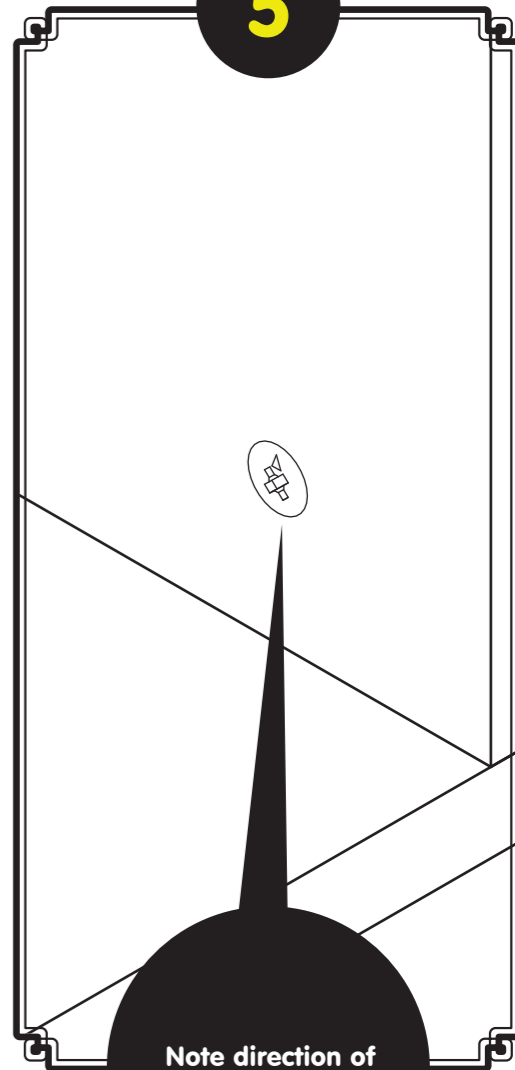
Note direction of arrow on cam

4



Turn cam clockwise 1/2 turn

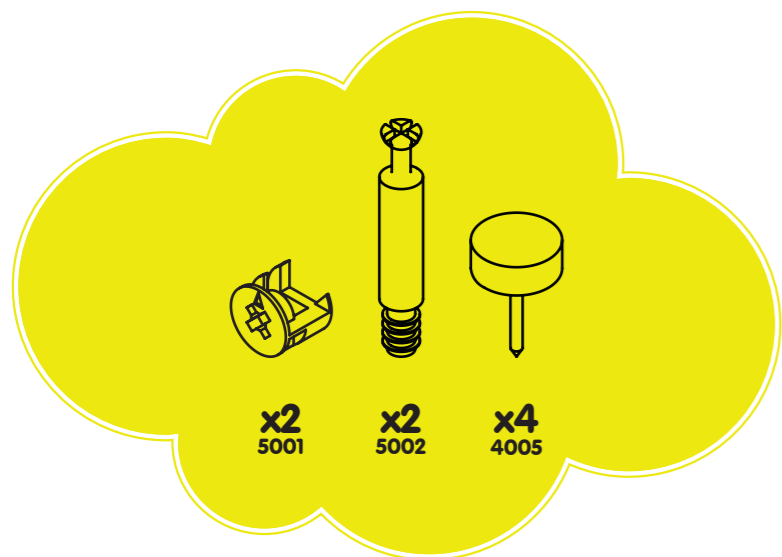
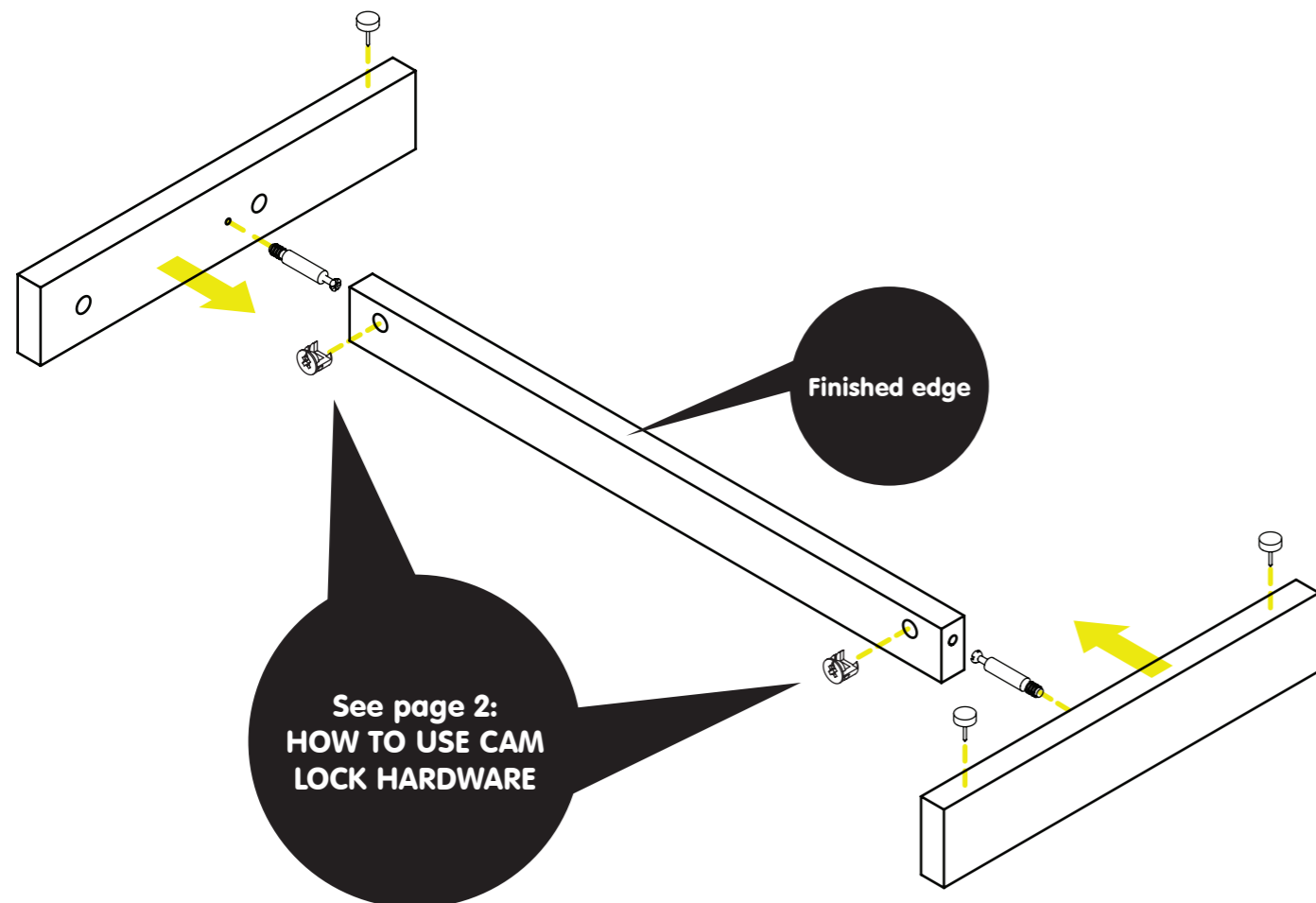
5



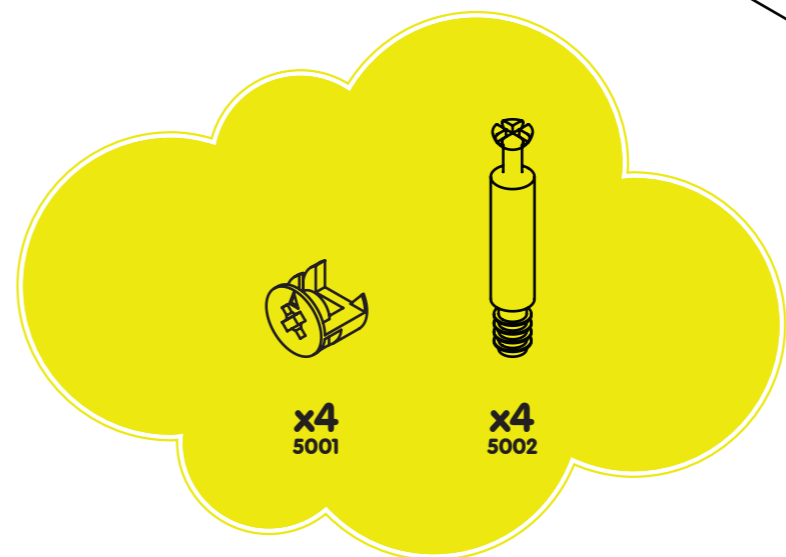
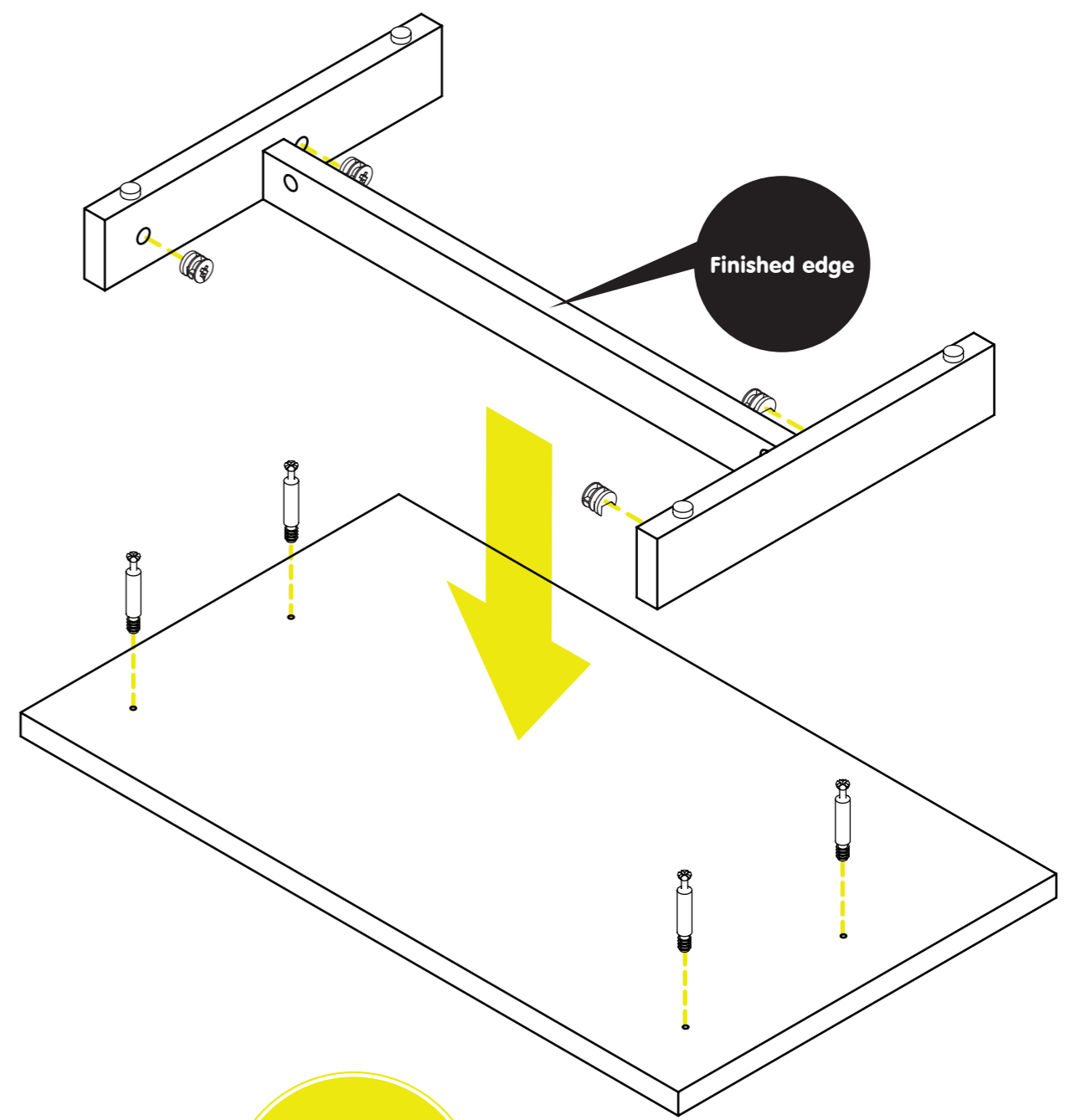
Note direction of arrow on cam

1

ASSEMBLE ON
CARPET OR
PROTECTIVE MAT

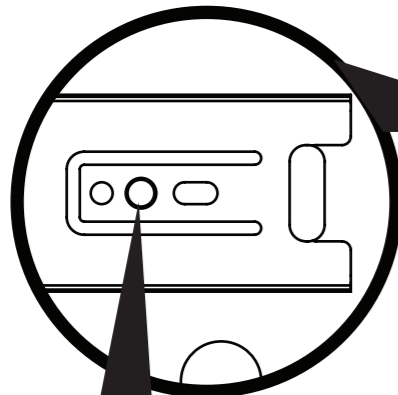


2

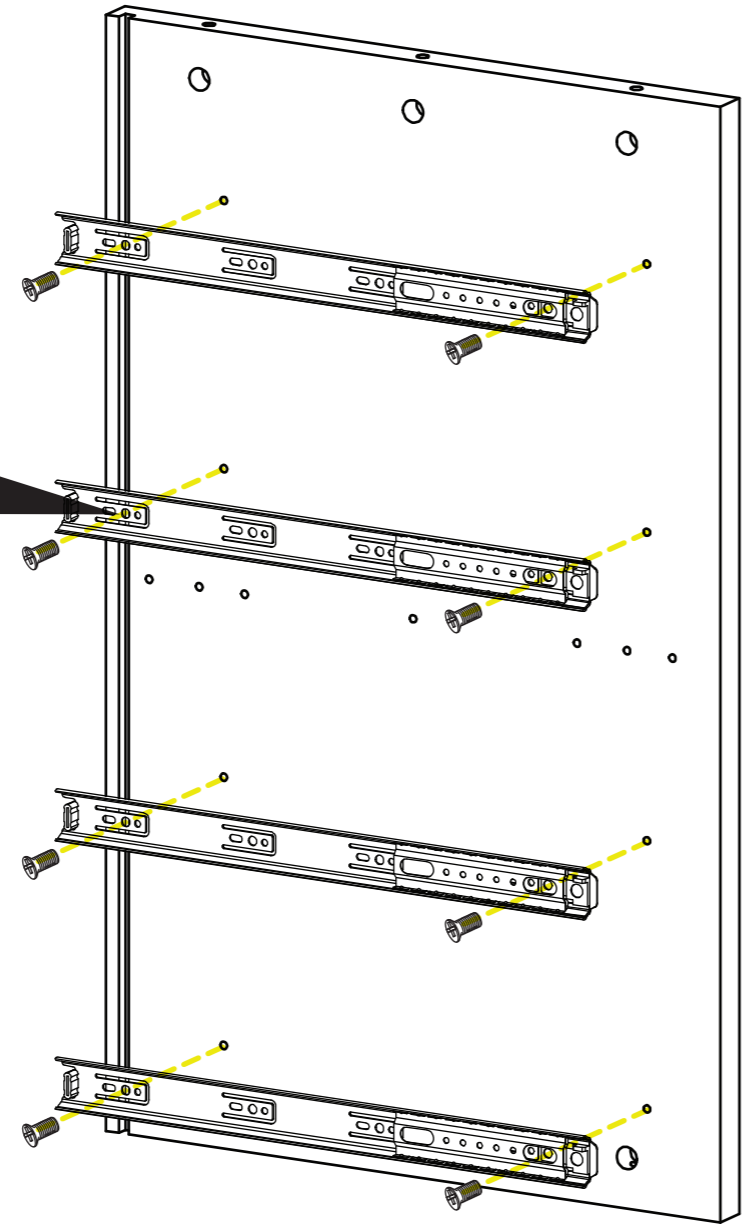


3

REPEAT THIS STEP FOR SECOND SIDE PANEL

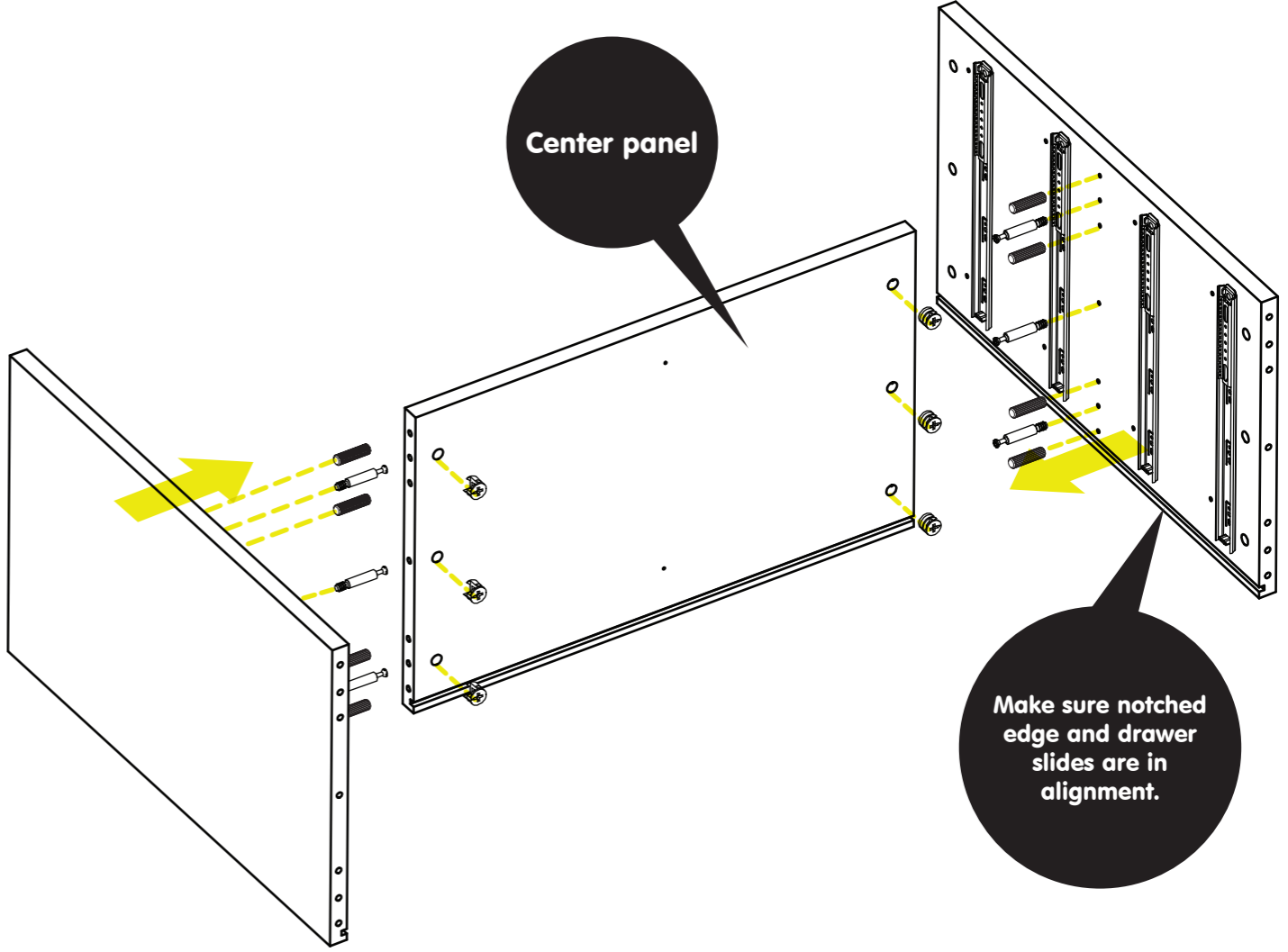


Start screw here first.

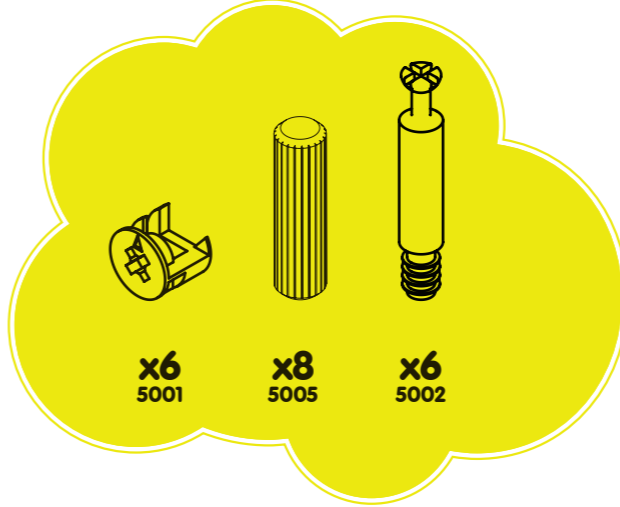


4

Center panel

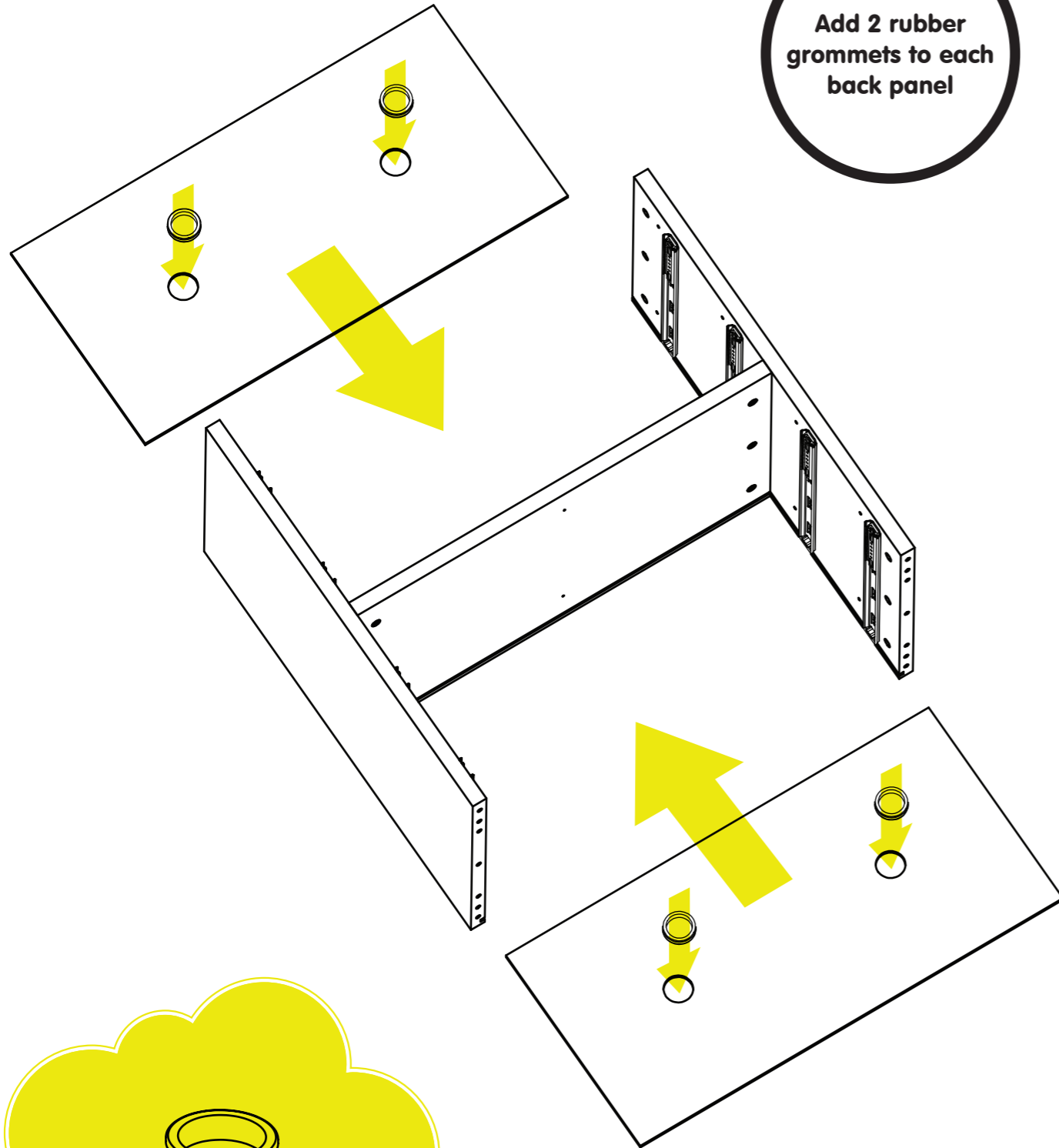


Make sure notched edge and drawer slides are in alignment.



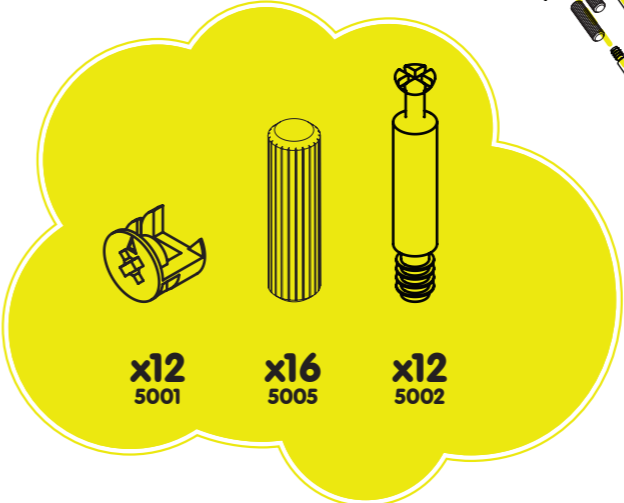
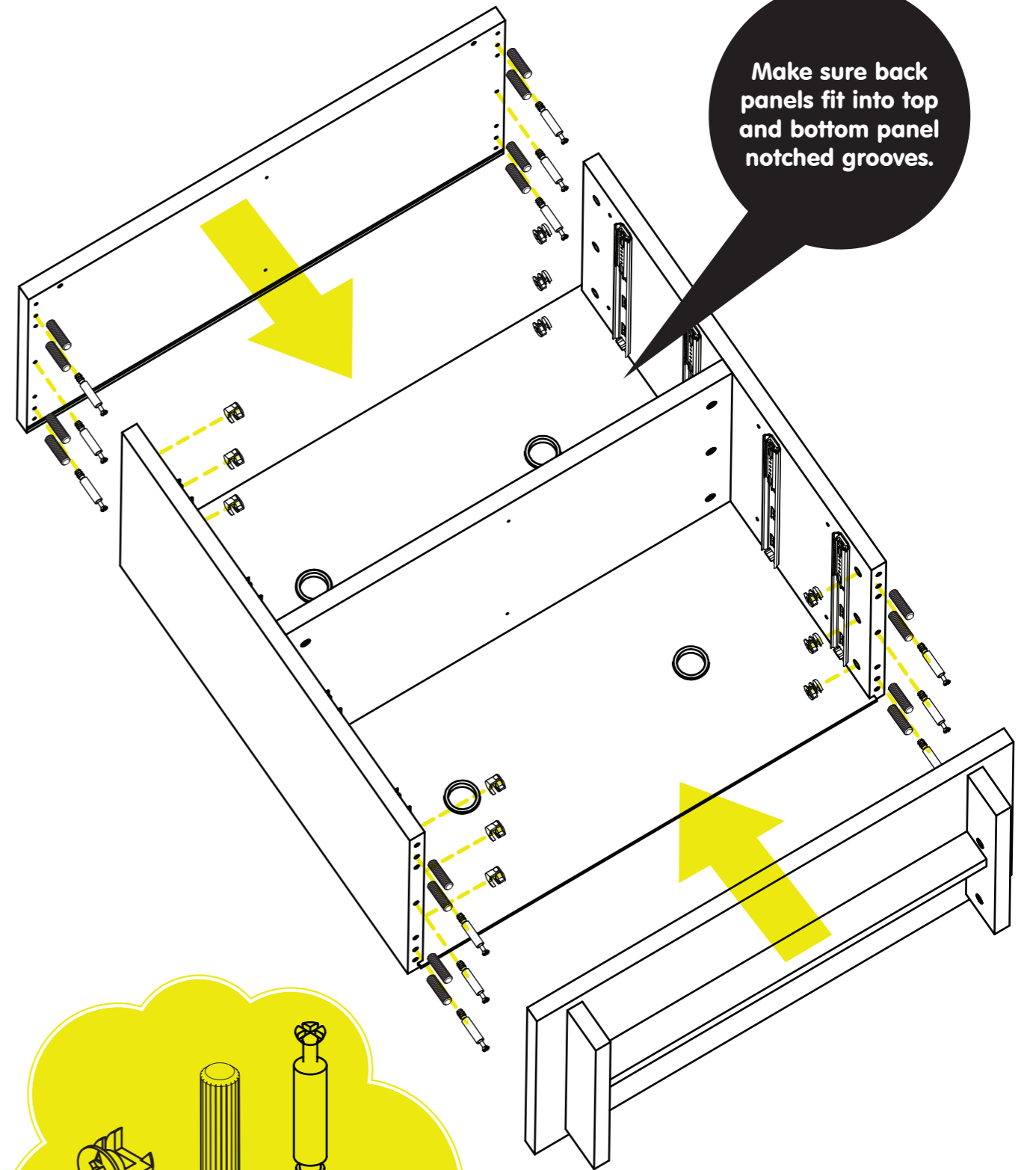
5

Add 2 rubber grommets to each back panel

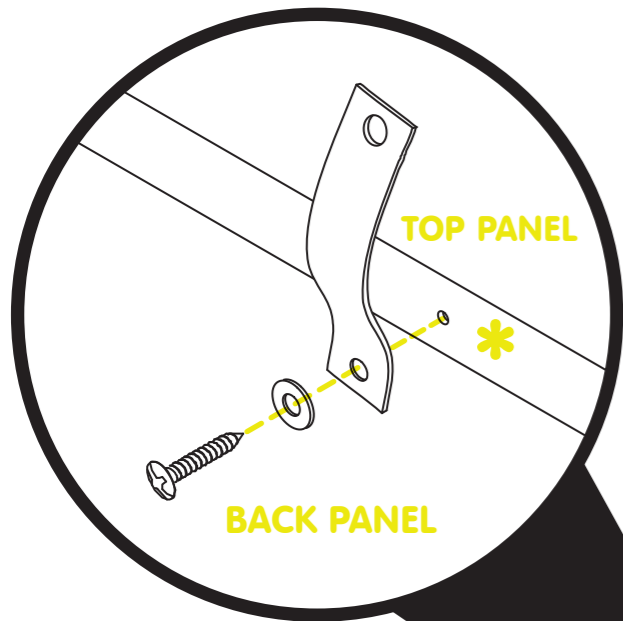


6

Make sure back panels fit into top and bottom panel notched grooves.



7

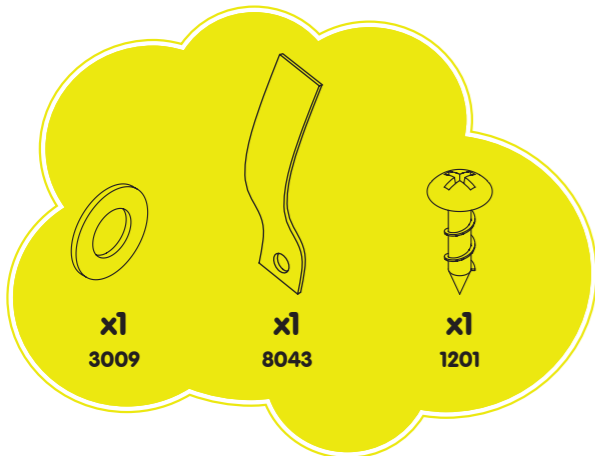
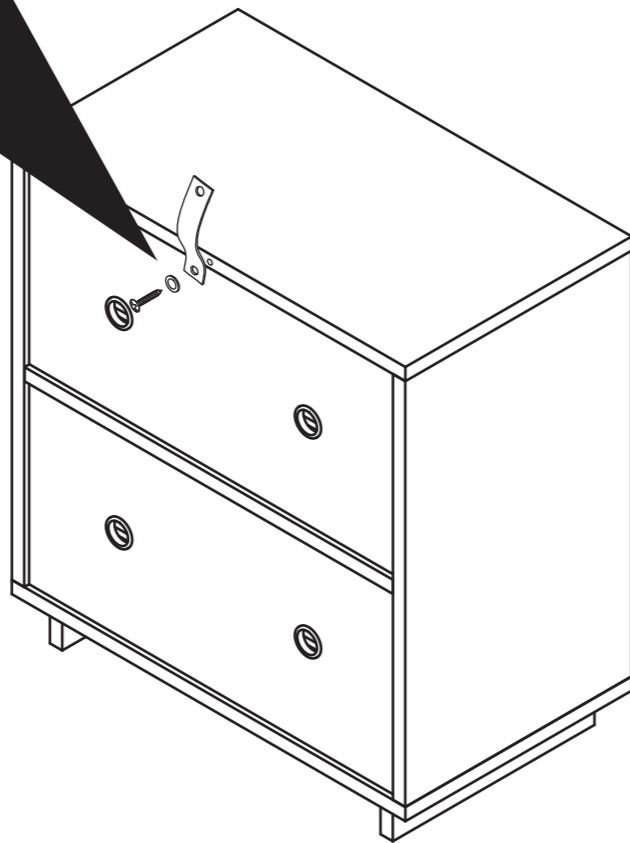


SAFETY

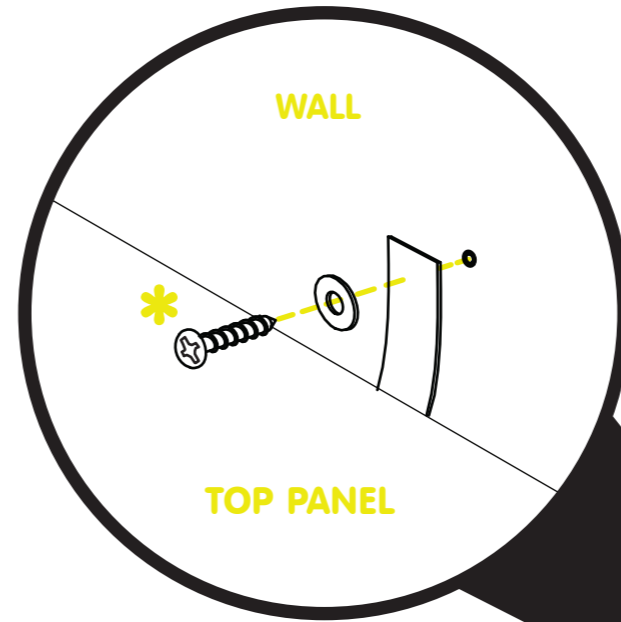
Serious or fatal crushing injuries can occur from furniture tip-over. Install the provided anti-tip hardware as shown. The use of such hardware may only reduce, but not eliminate, the risk of tip-over.



Install anti-tip hardware to product as shown. hardware must be installed to top panel versus back panel. In order to prevent cracking, it is recommended to mark hole locations and drill pilot holes using a 3/32" drill bit.

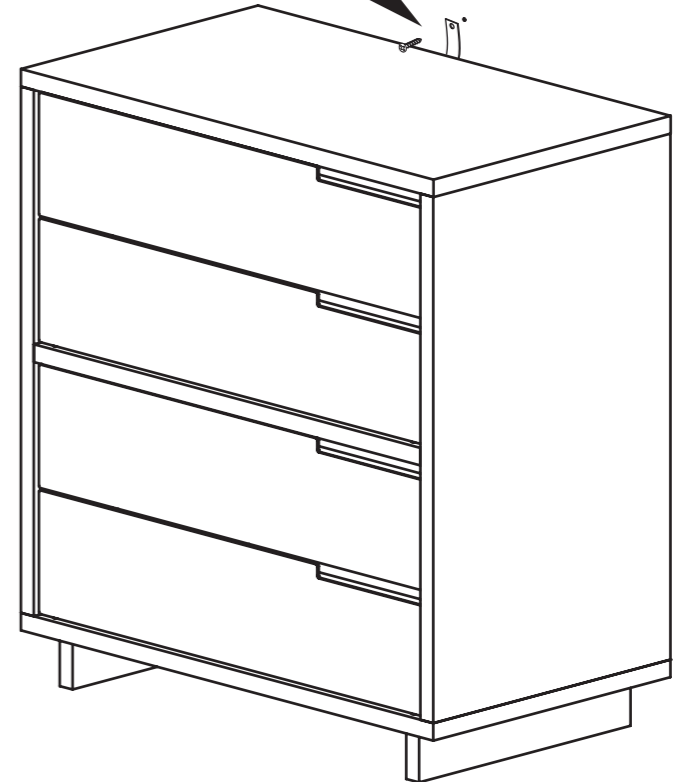


8



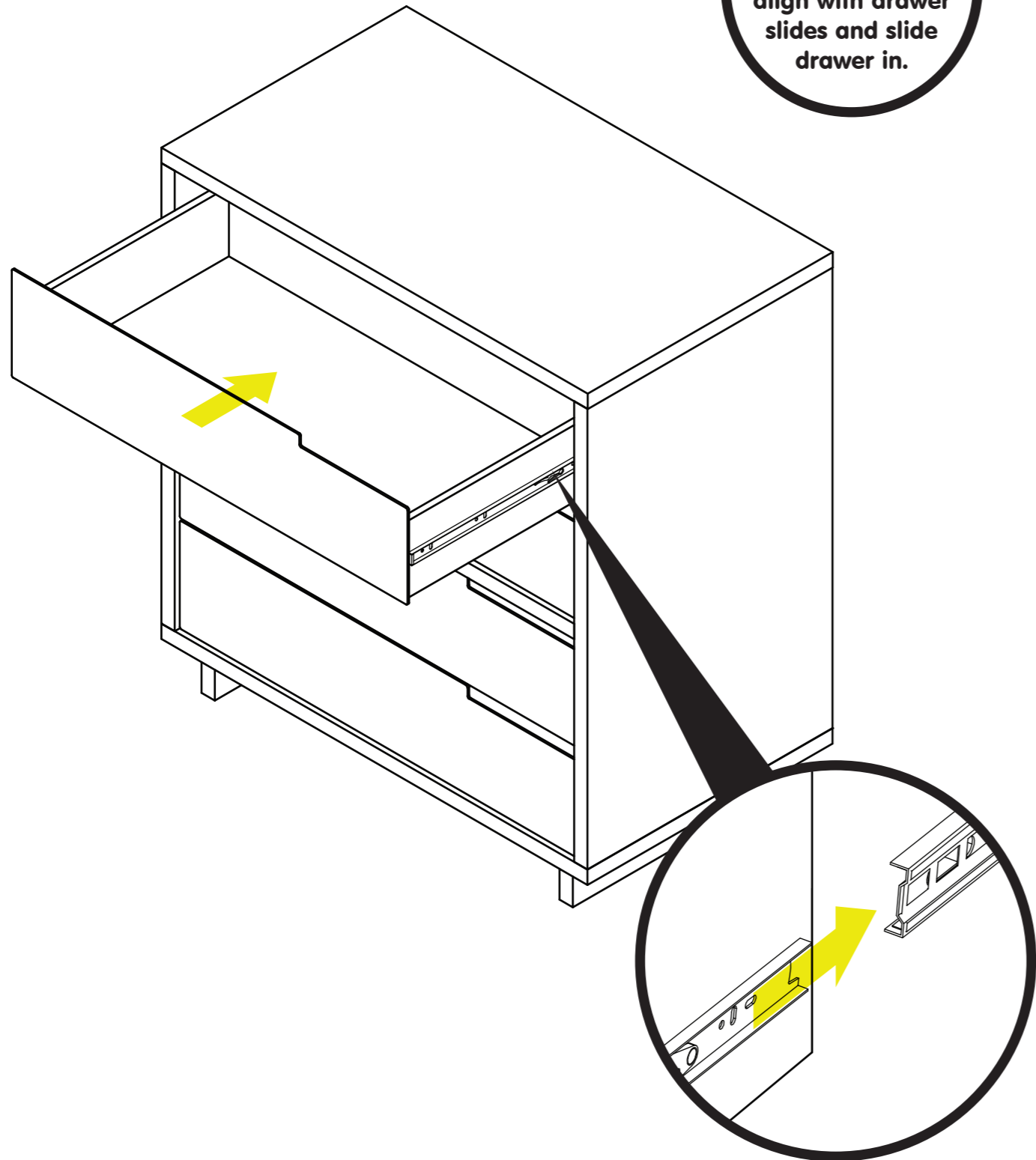
CONSULT YOUR LOCAL HARDWARE PROFESSIONAL TO DETERMINE THE HARDWARE BEST SUITED FOR YOUR TYPE OF WALL..

Attach anti-tip strap to wall using recommended hardware as shown. For best results, attach anti-tip strap to a wall stud.



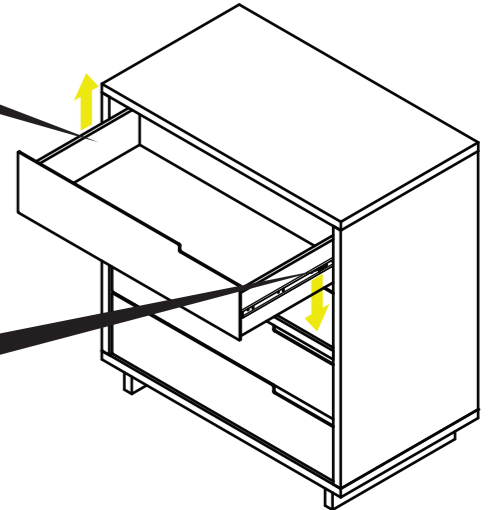
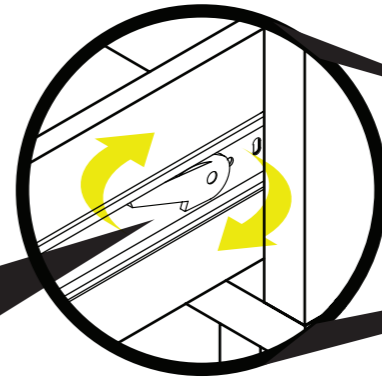
9

Extend ball drawer slides out from cabinet body, align with drawer slides and slide drawer in.

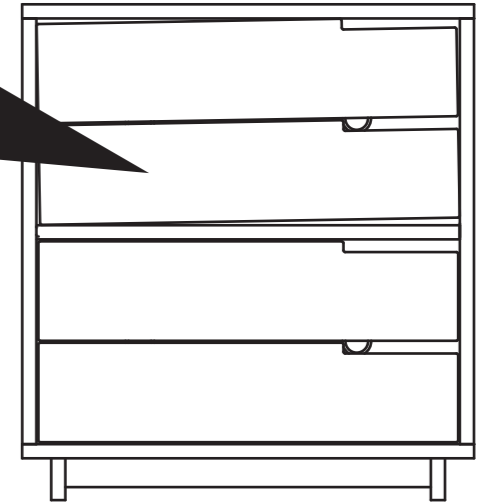


NOTES

To remove drawers pull lever up on the right side and push down on the left side of the drawer slide.



Drawer fronts can be adjusted if drawer gaps are inconsistent.



CARE

Clean with a slightly damp, soft cloth. To remove dirt and fingerprints, use a quality cleaner formulated for wood furniture. Wipe completely dry with a soft cloth in the direction of the wood grain.

Loosen the acorn nuts, shift the drawer front into place and ask a friend to hold the drawer front in place while you re-tighten the nuts (but don't over tighten).

