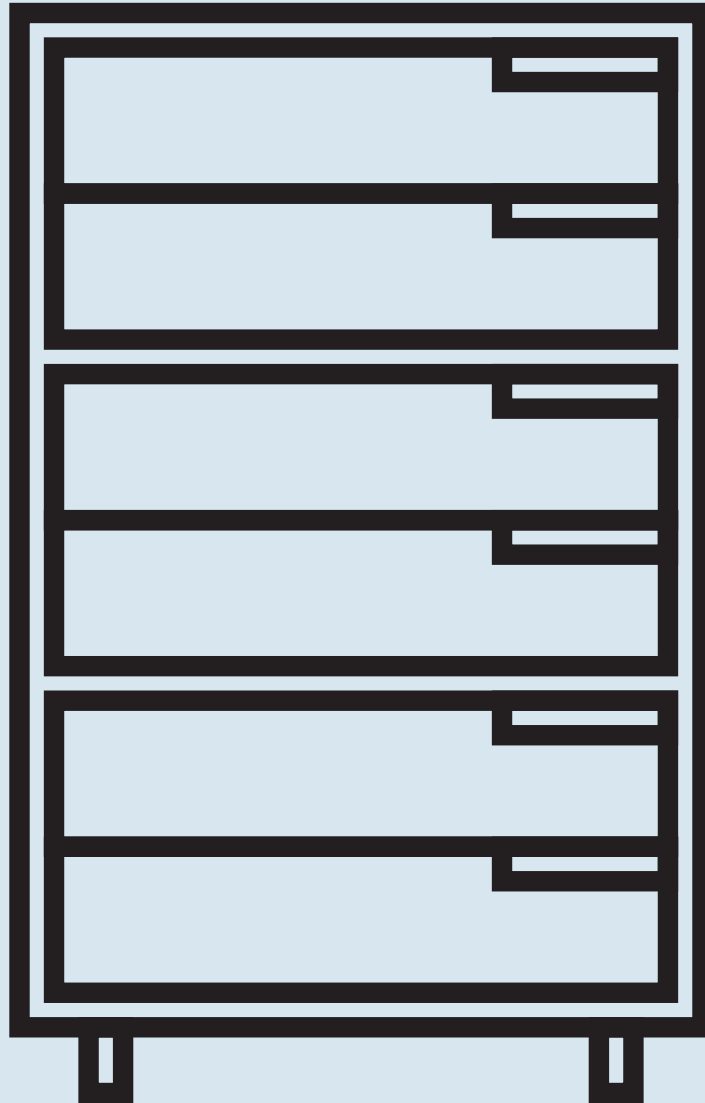
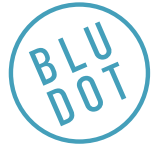


# Modu-licious #5

DESIGNED IN 1999

ASSEMBLY NOTES | REV 00



YOU WANT CHOICES, WE GOT CHOICES.

Drawers and doors are your canvas with the award-winning Modu-licious series.

NEED A HAND?

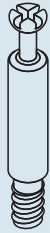
Contact us at [service@bludot.com](mailto:service@bludot.com) or **844.425.8368** for assistance.

# Parts & Hardware



QTY 32

Pt. 5005



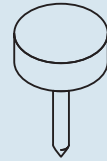
QTY 30

Pt. 5002



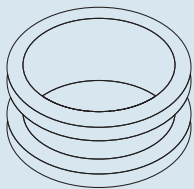
QTY 30

Pt. 5001



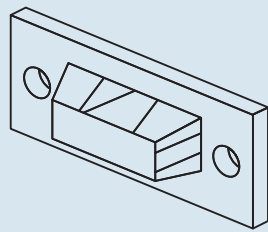
QTY 4

Pt. 4005



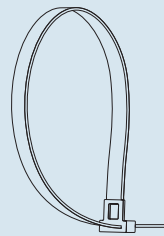
QTY 6

Pt. 8018



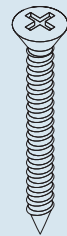
QTY 2

Pt. 8041



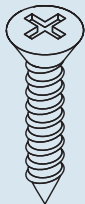
QTY 1

Pt. 8042



QTY 2

Pt. 1218



QTY 2

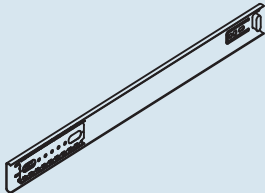
Pt. 1217



QTY 24

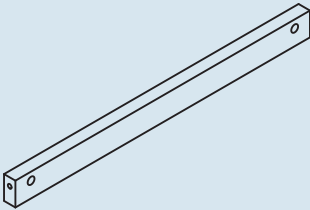
Pt. 1023

# Parts & Hardware



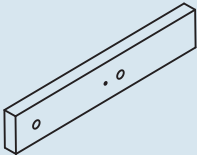
QTY 12

Drawer Slide



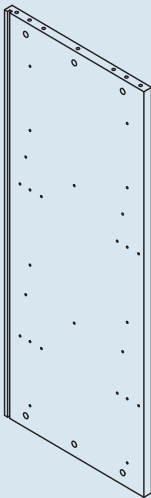
QTY 1

Stretcher



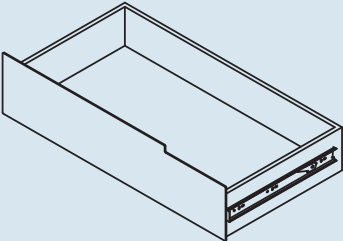
QTY 2

Foot



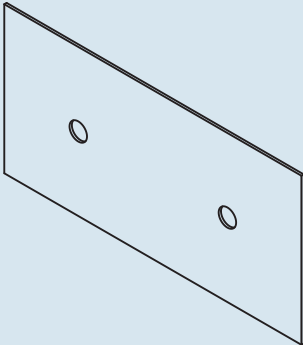
QTY 2

Side Panel



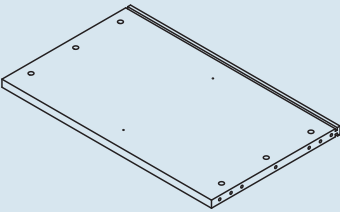
QTY 6

Drawer



QTY 3

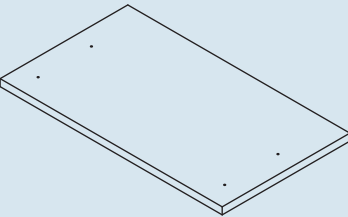
Back Panel



QTY 2

Partition Panel

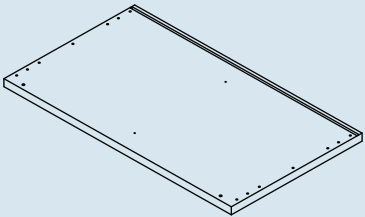
\*panel has grooves on both sides



QTY 1

Bottom Panel

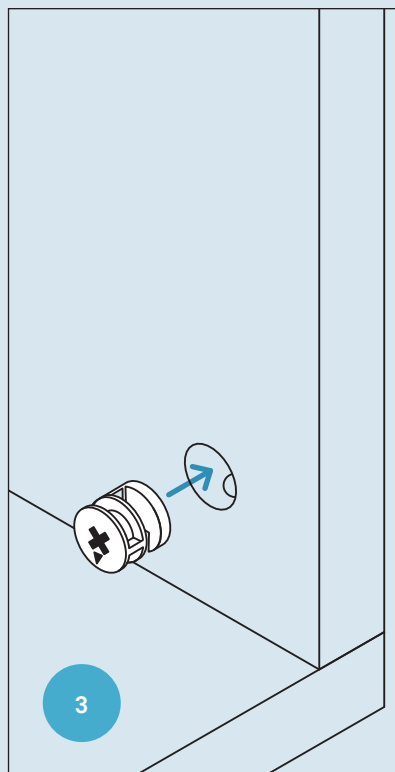
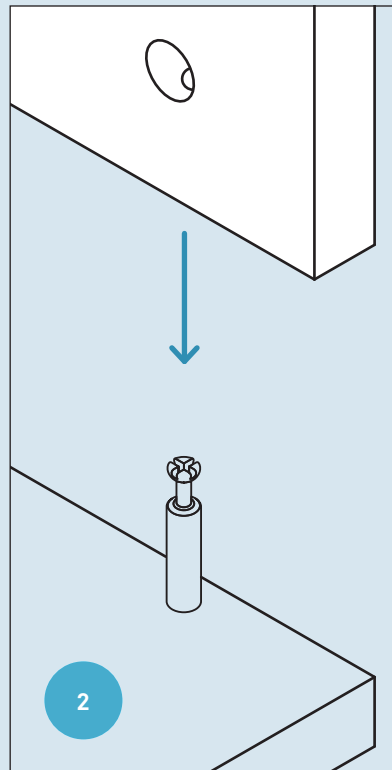
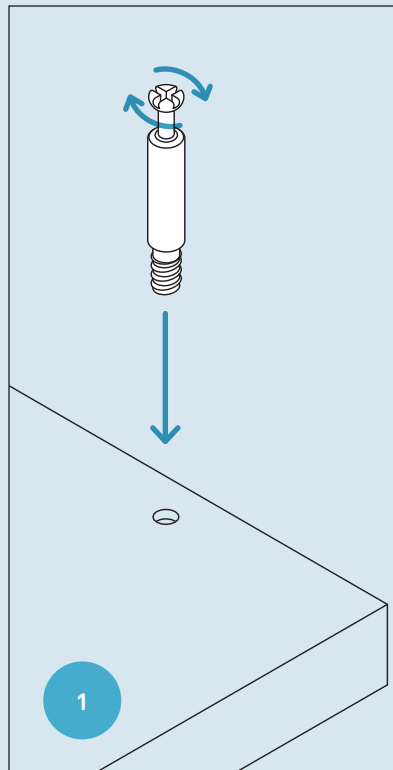
\*panel has drilled holes on both sides



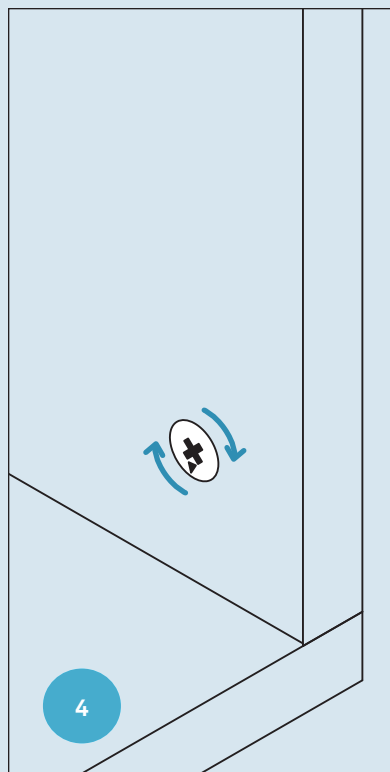
QTY 1

Top Panel

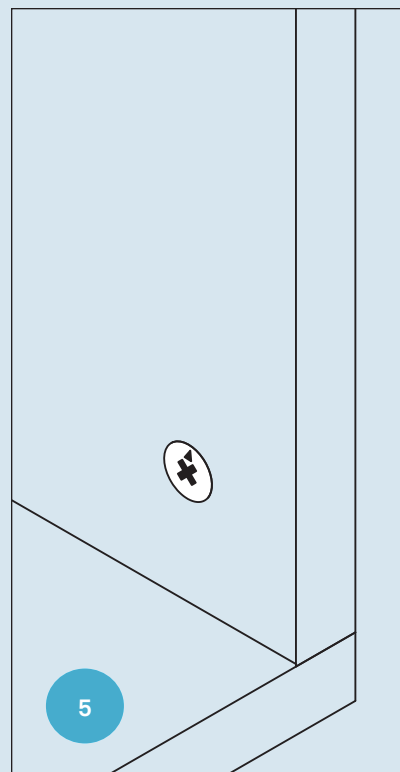
# How to use the cam lock system



Note direction of cam arrow.



Turn cam clockwise 1/2 turn or until tight.

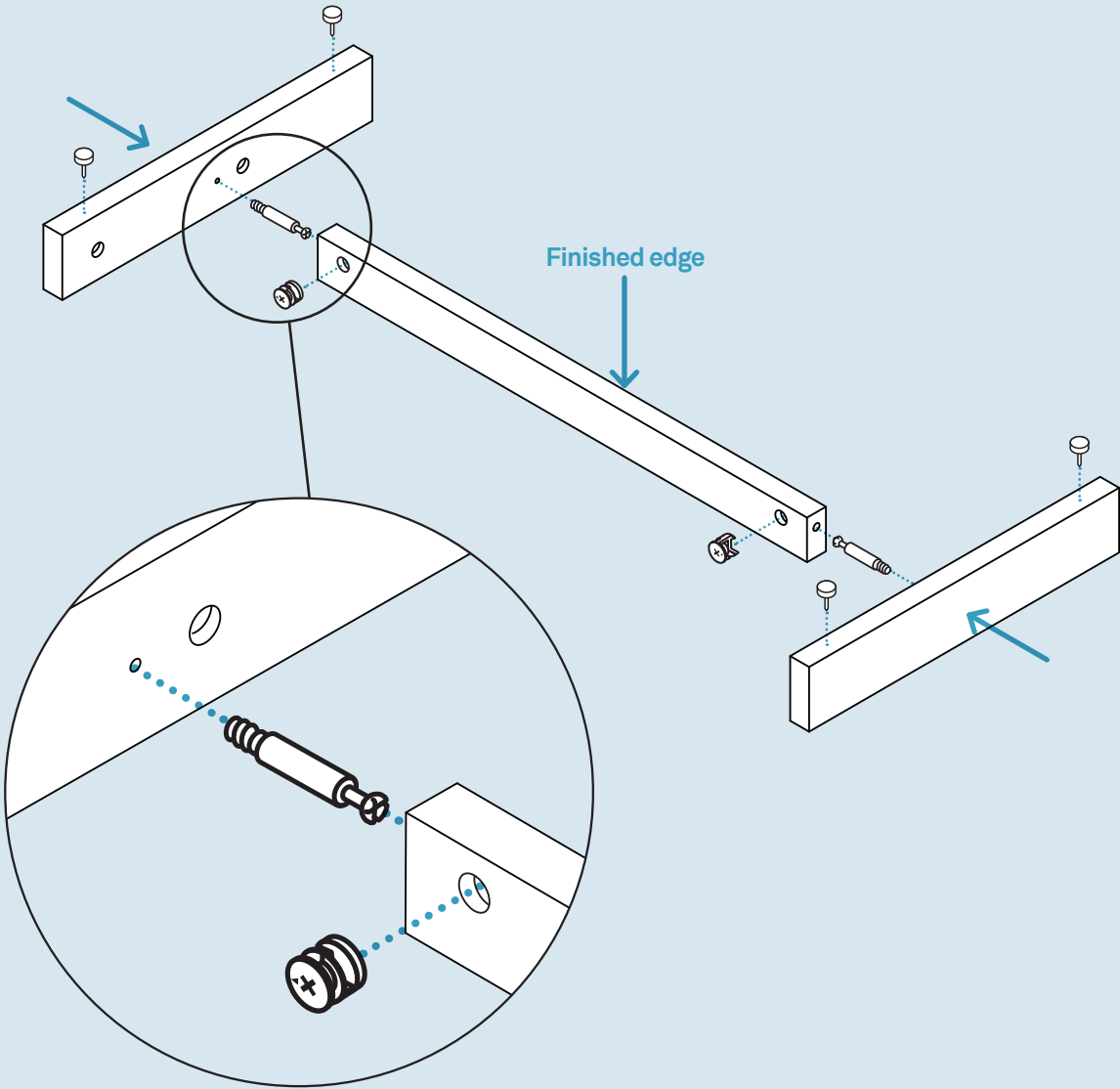


Note direction of cam arrow.

# Step 01

## ASSEMBLE BASE.

Using the stretcher and feet assemble the base as shown. Refer to page 3 on how to use the cam lock system.

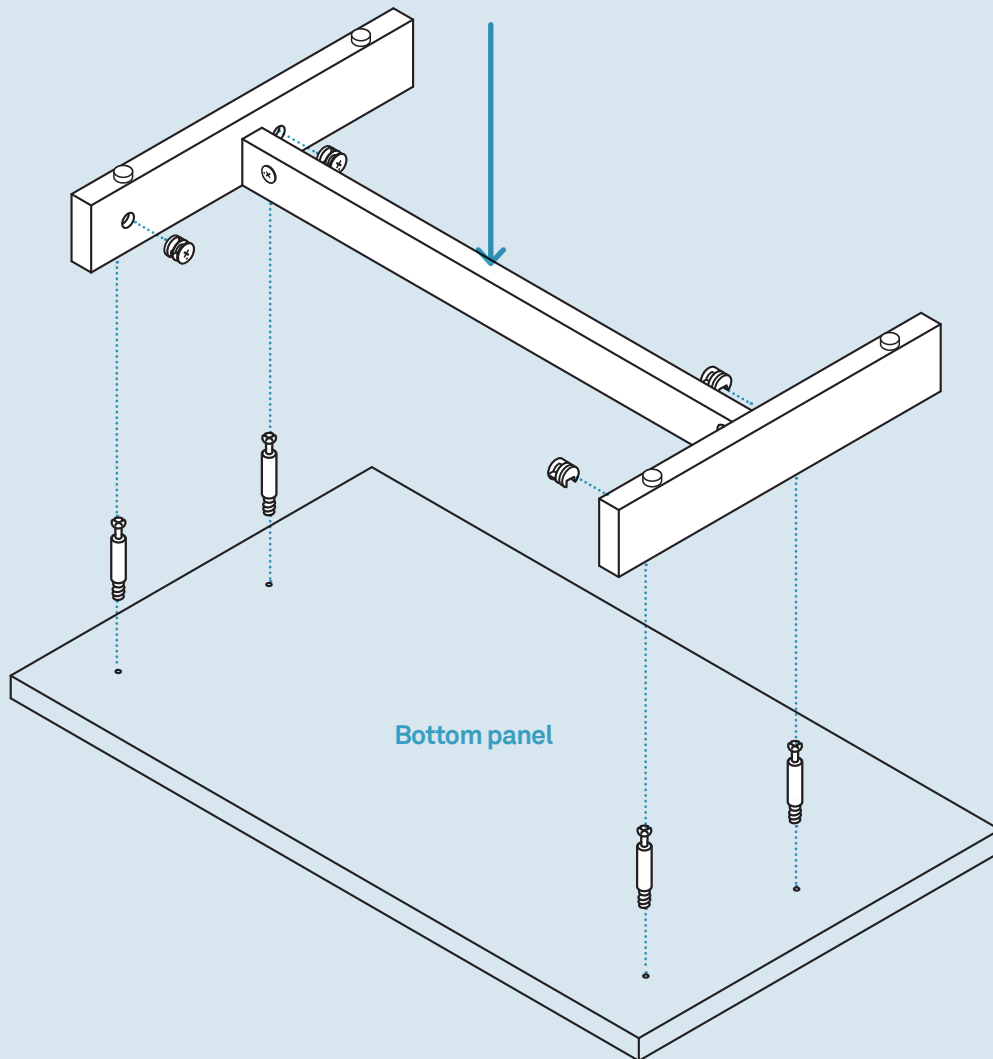


PT. 5001 x 2      PT. 5002 x 2      PT. 4005 x 4

## Step 02

### ATTACH BOTTOM PANEL.

Attach the bottom panel to the base using the provided hardware as shown. Refer to page 3 on how to use the cam lock system.



PT. 5001 x 4



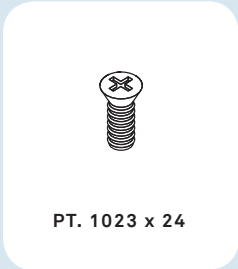
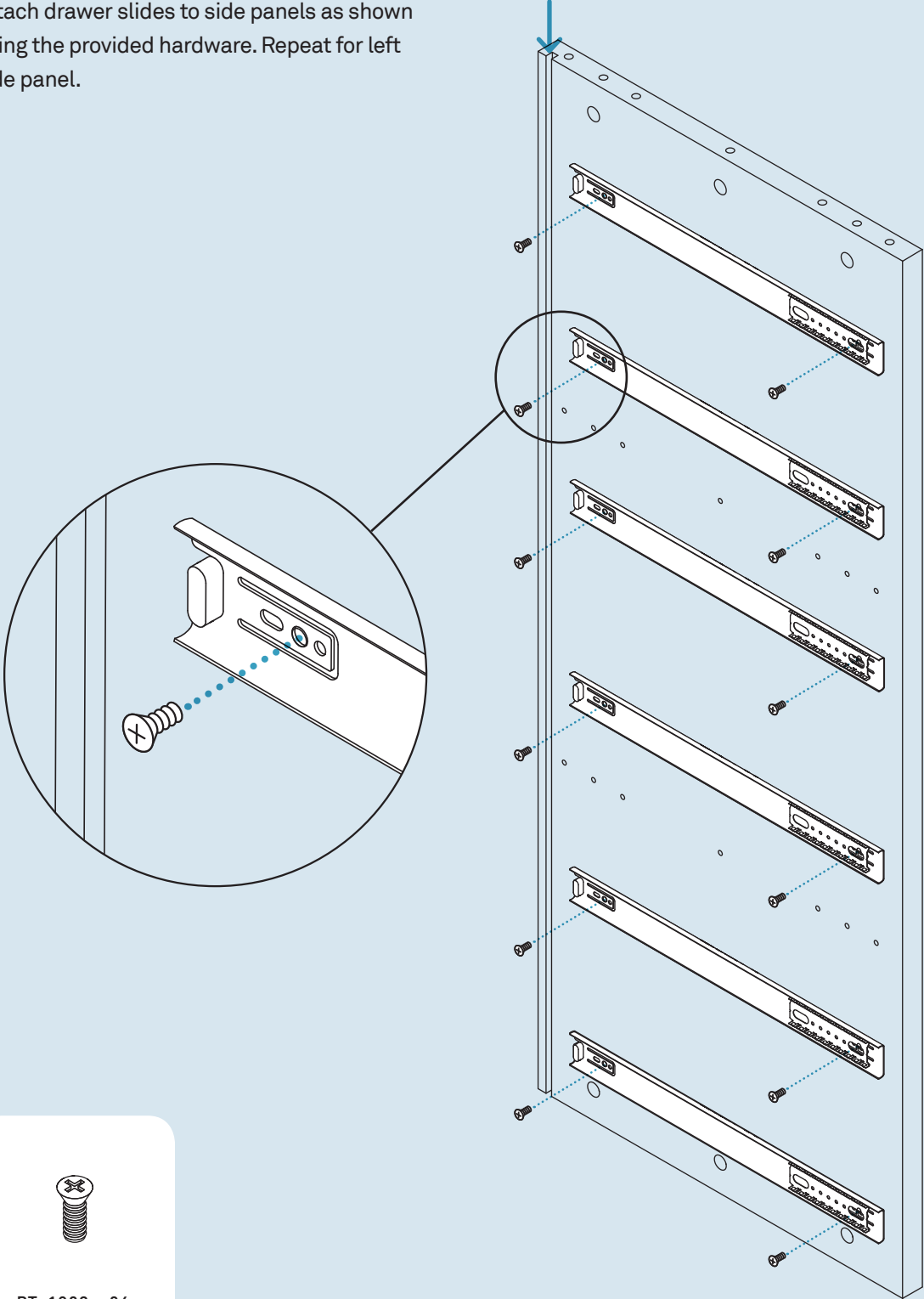
PT. 5002 x 4

# Step 03

## ATTACH DRAWER SLIDES.

Attach drawer slides to side panels as shown using the provided hardware. Repeat for left side panel.

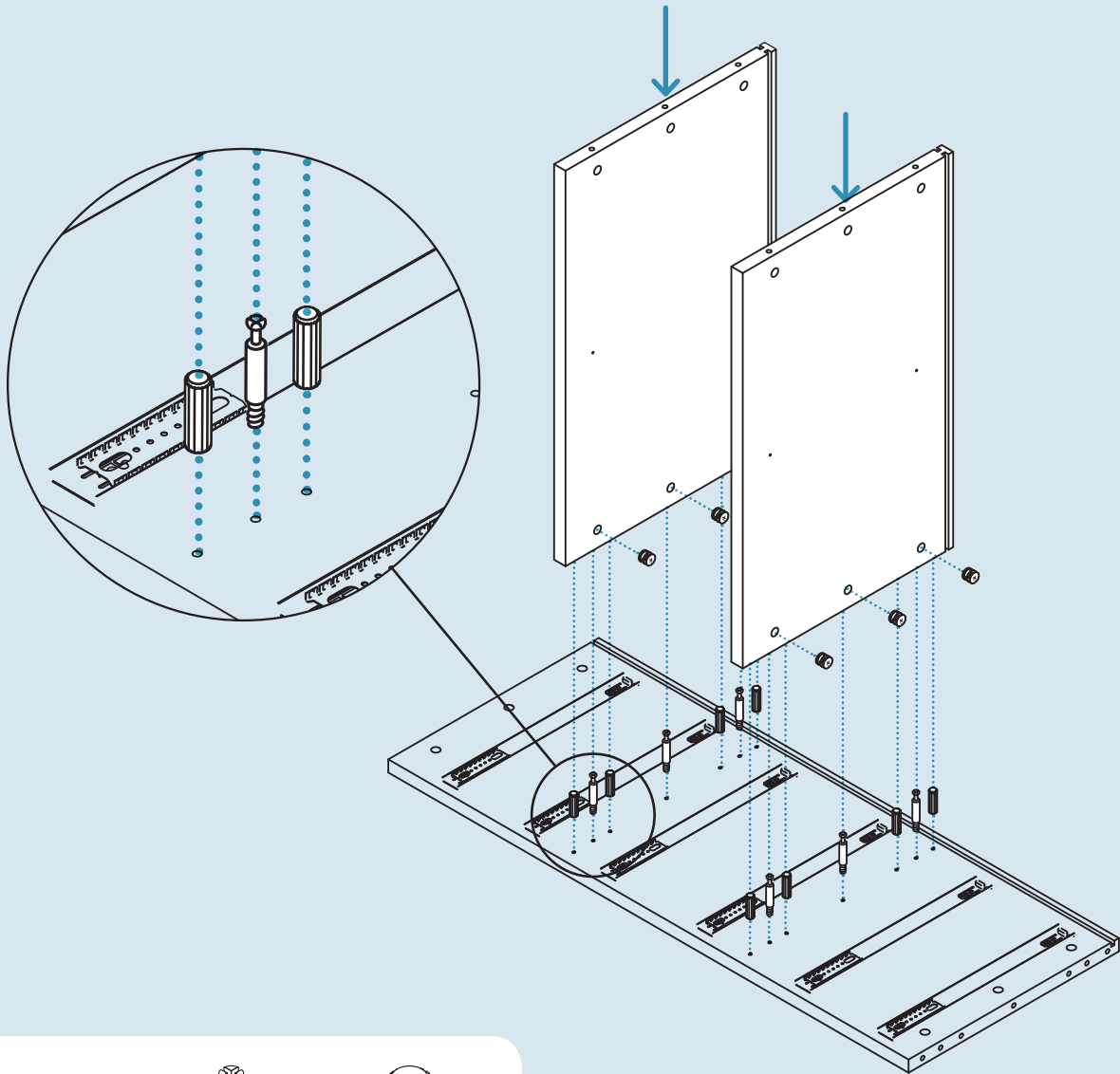
Right side panel



# Step 04

BEGIN ASSEMBLING CASE.

Attach partition panels to left side panel as shown using the provided hardware. Be sure to align grooves on partition panels and side panel. Refer to page 3 on how to use the cam lock system.



PT. 5001 x 6



PT. 5002 x 6



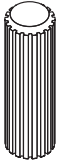
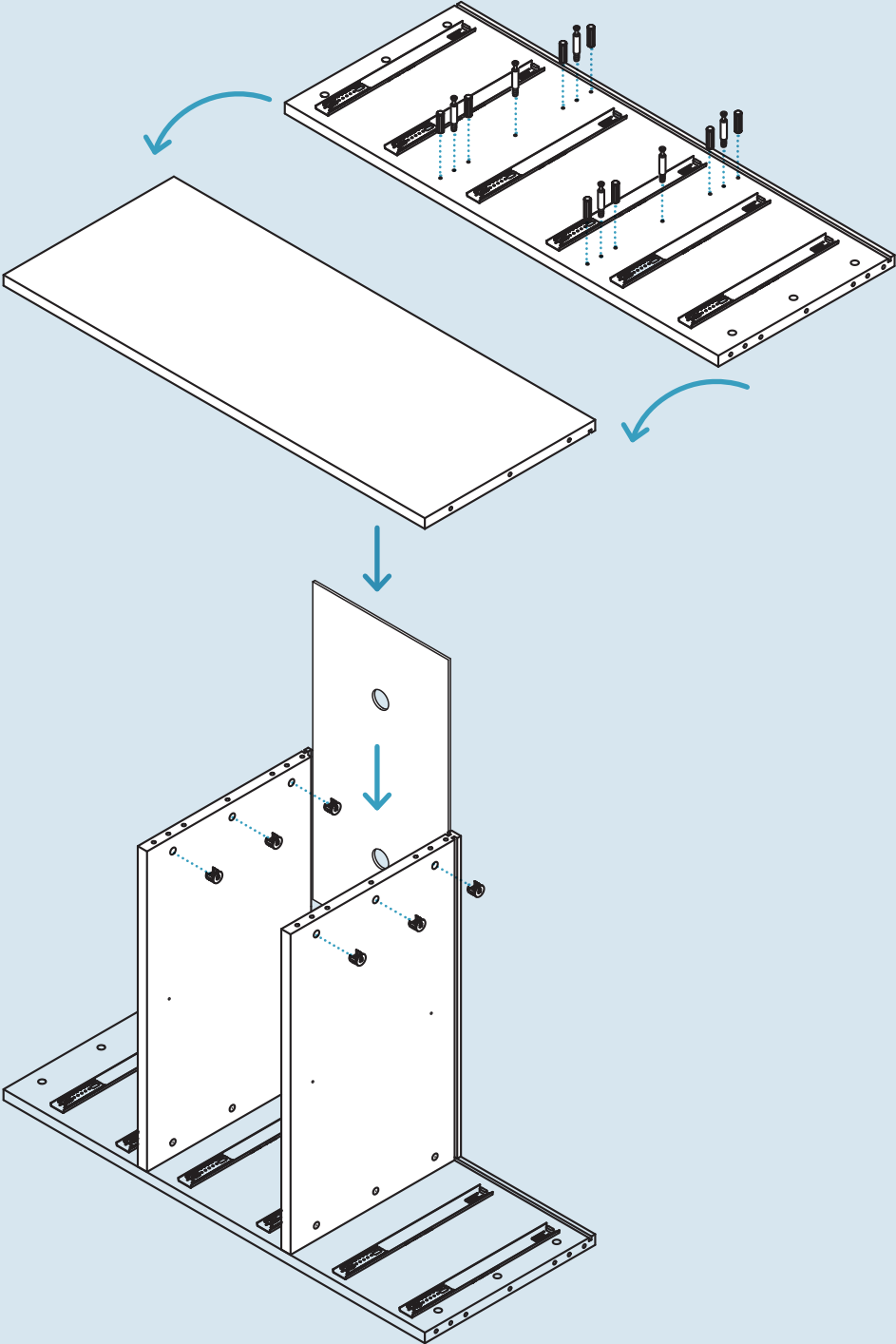
PT. 5005 x 8



# Step 05

## ATTACH RIGHT SIDE PANEL.

Slide back panel into place as shown. Attach right side panel as shown using the provided hardware. Refer to page 3 on how to use the cam lock system.



PT. 5005 x 8



PT. 5002 x 6

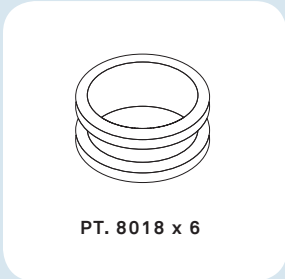
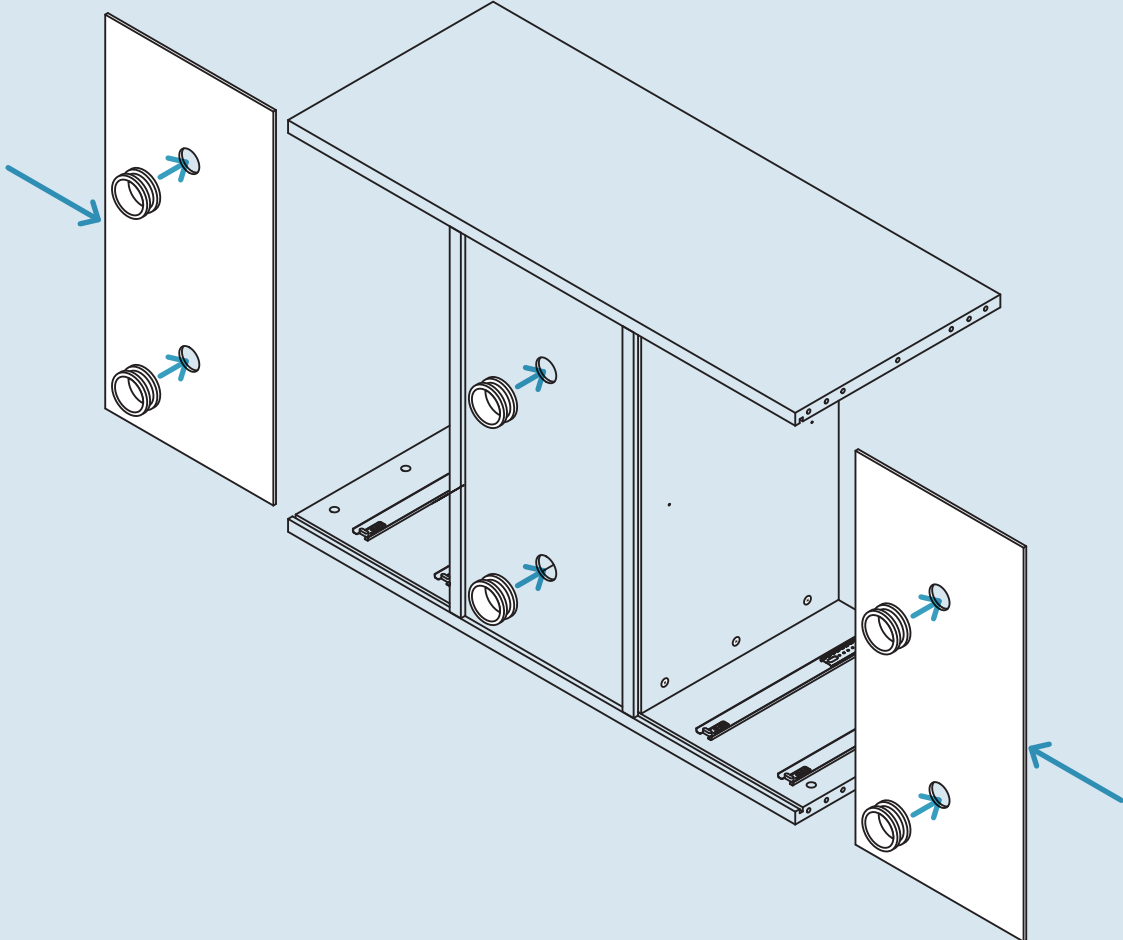


PT. 5001 x 6

# Step 06

## INSERT REMAINING BACK PANELS.

Add rubber grommets to each back panel as shown. Insert back panels into grooves in case.

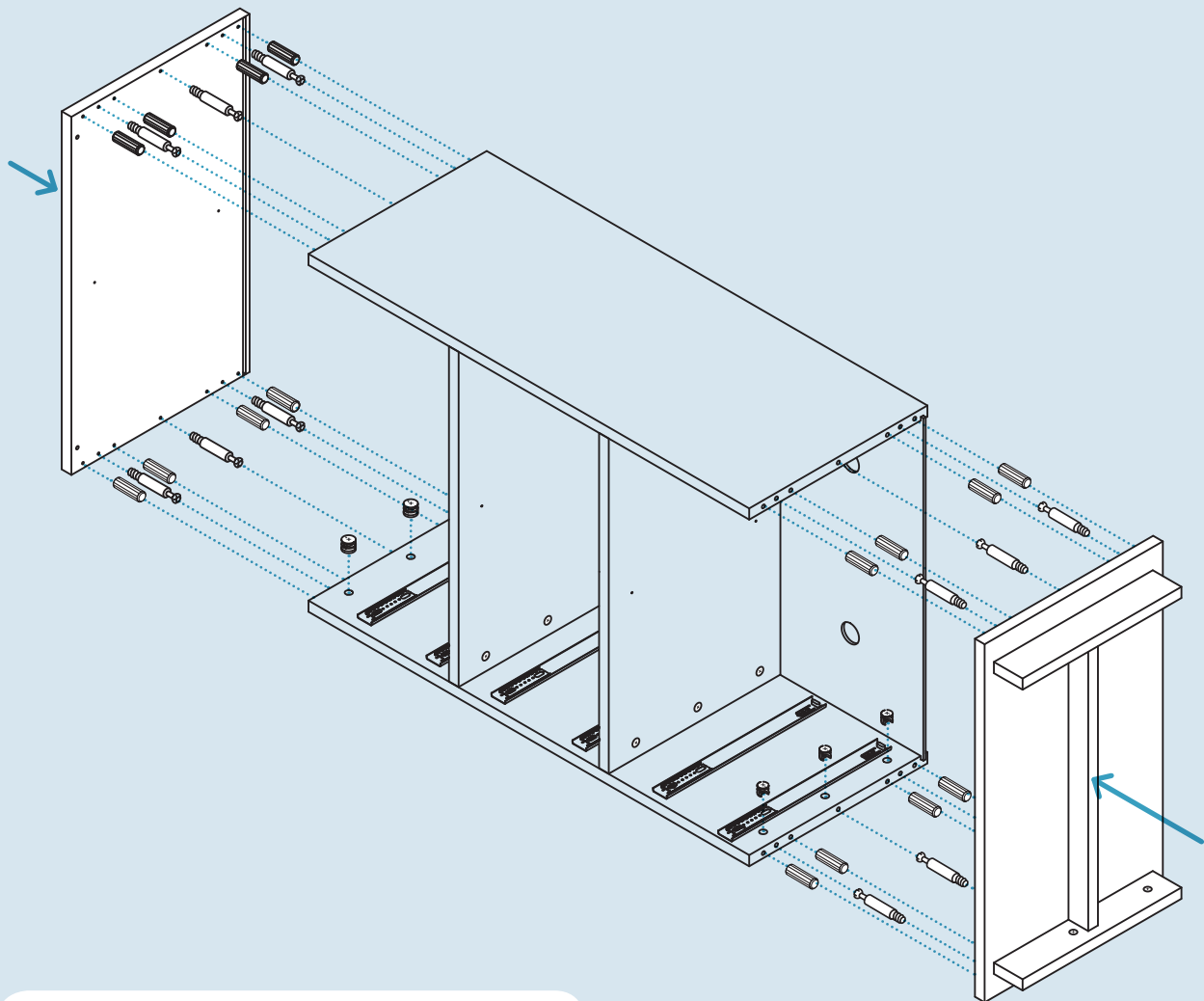


PT. 8018 x 6

# Step 07

## FINISH ASSEMBLING CASE.

Finish assembling the case by attaching the top and bottom panels as shown using the provided hardware. Refer to page 3 on how to use the cam lock system.



PT. 5001 x 12



PT. 5002 x 12

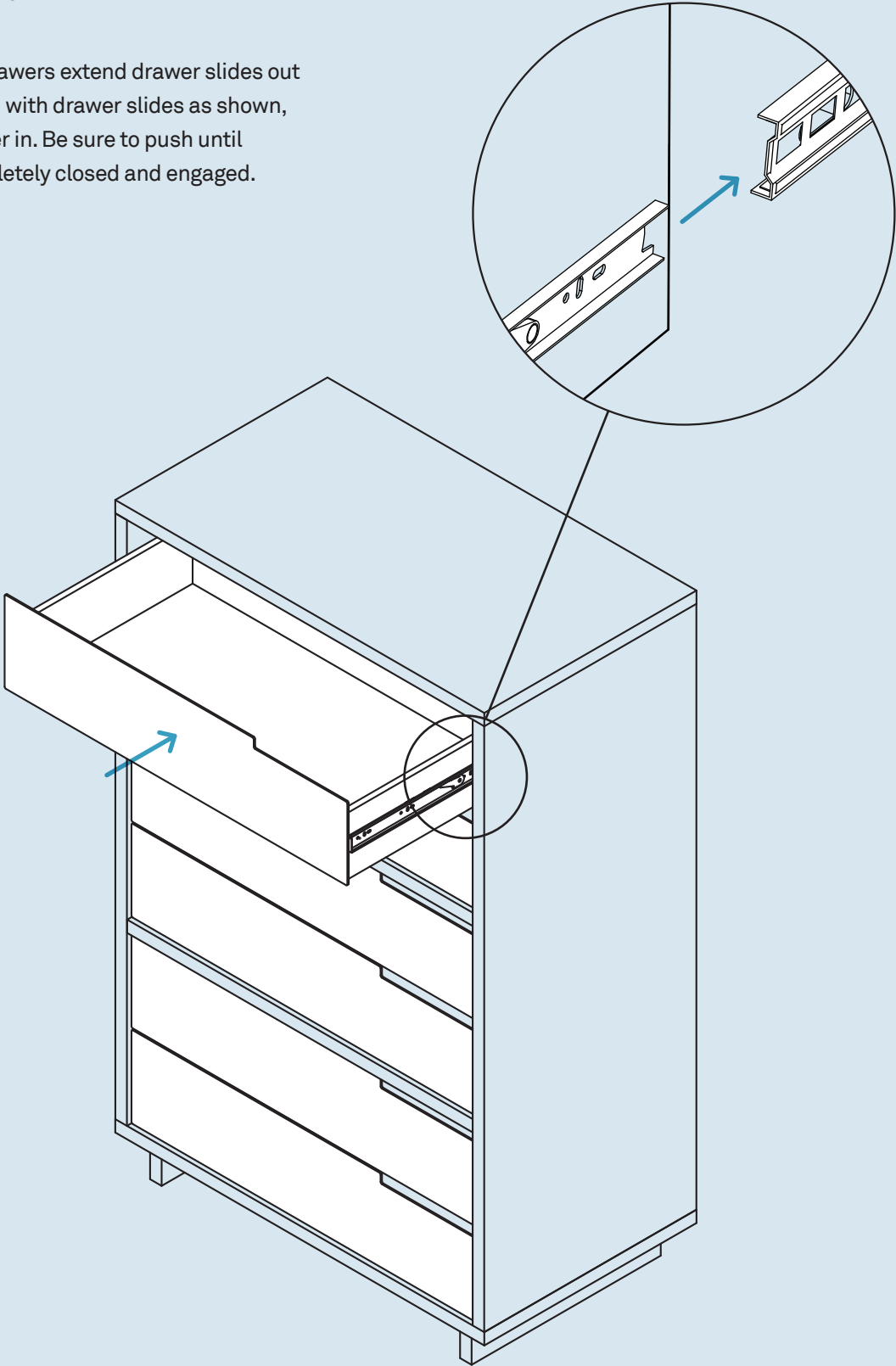


PT. 5005 x 16

# Step 08

## INSTALL DRAWERS.

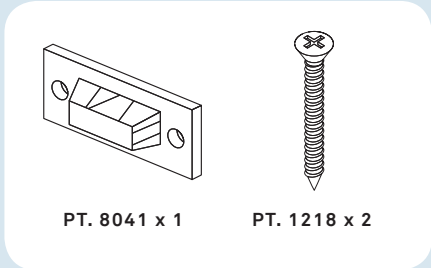
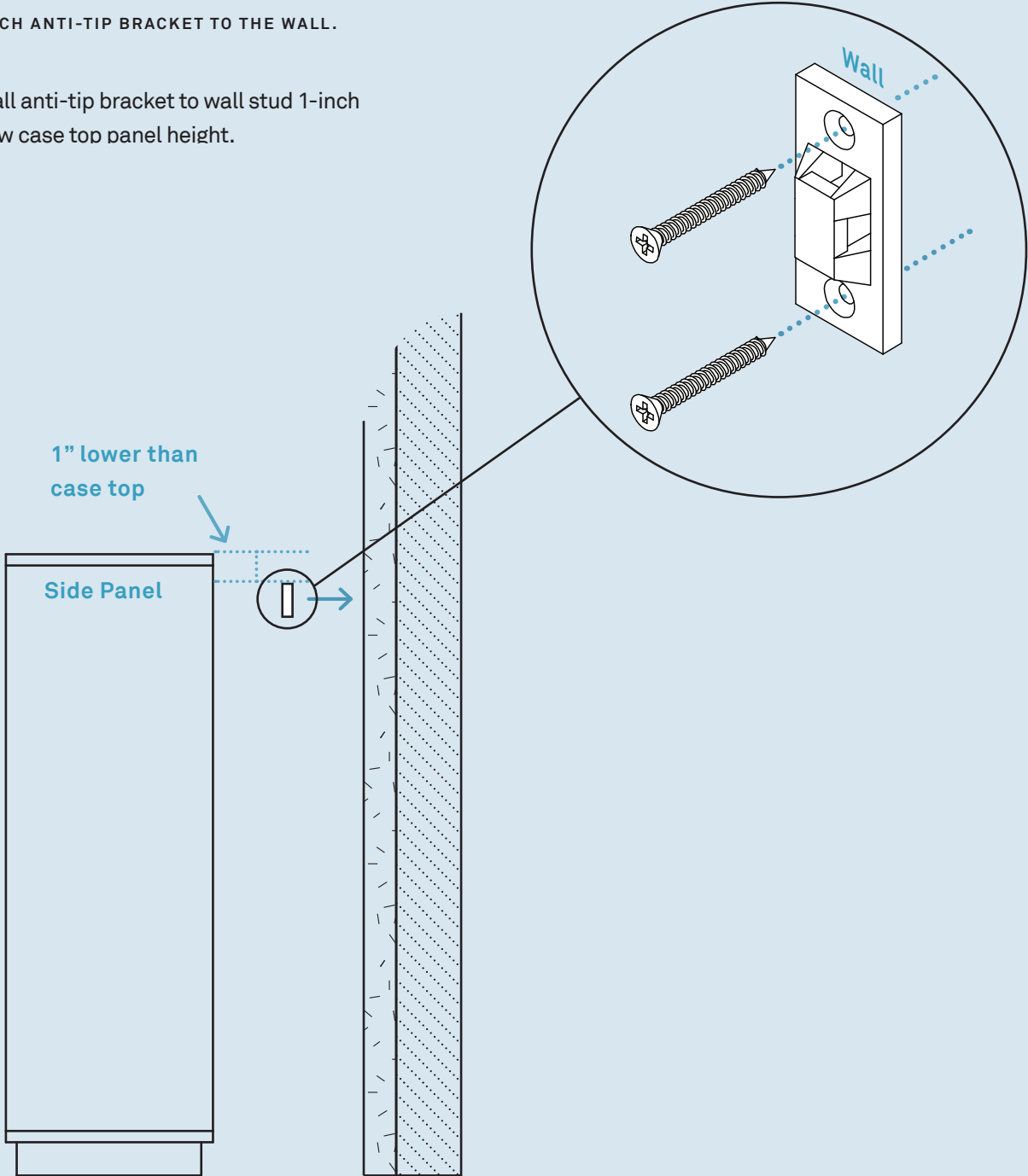
To install the drawers extend drawer slides out from case, align with drawer slides as shown, and slide drawer in. Be sure to push until drawer is completely closed and engaged.



# Step 09

ATTACH ANTI-TIP BRACKET TO THE WALL.

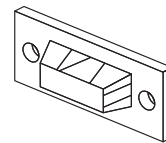
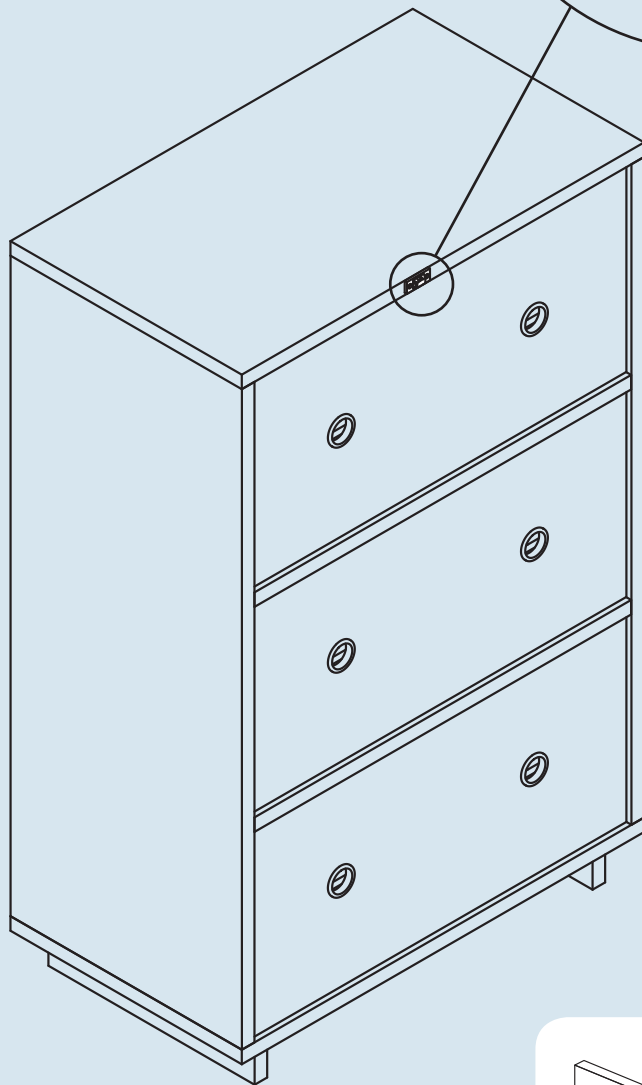
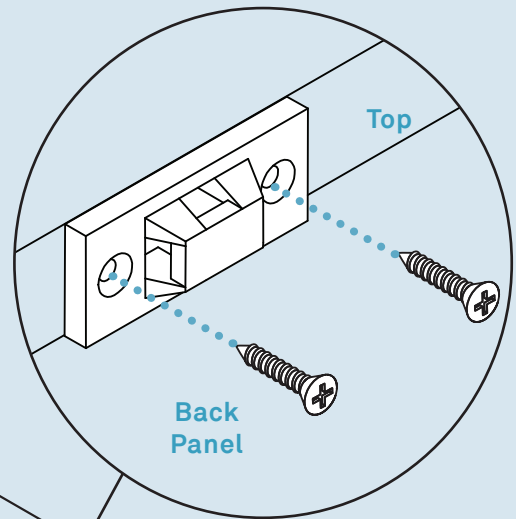
Install anti-tip bracket to wall stud 1-inch below case top panel height.



# Step 10

INSTALL ANTI-TIP BRACKET TO CASE.

Bracket must be installed to top panel of case. In order to prevent damage, it is recommended that 3/32" pilot holes be drilled prior to installation.



PT. 8041 x 1

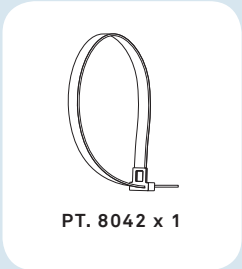
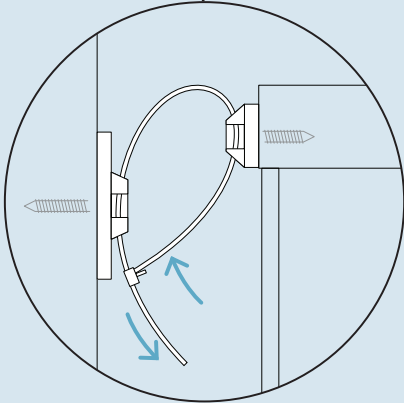
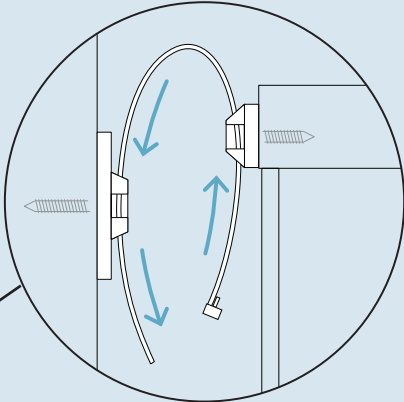
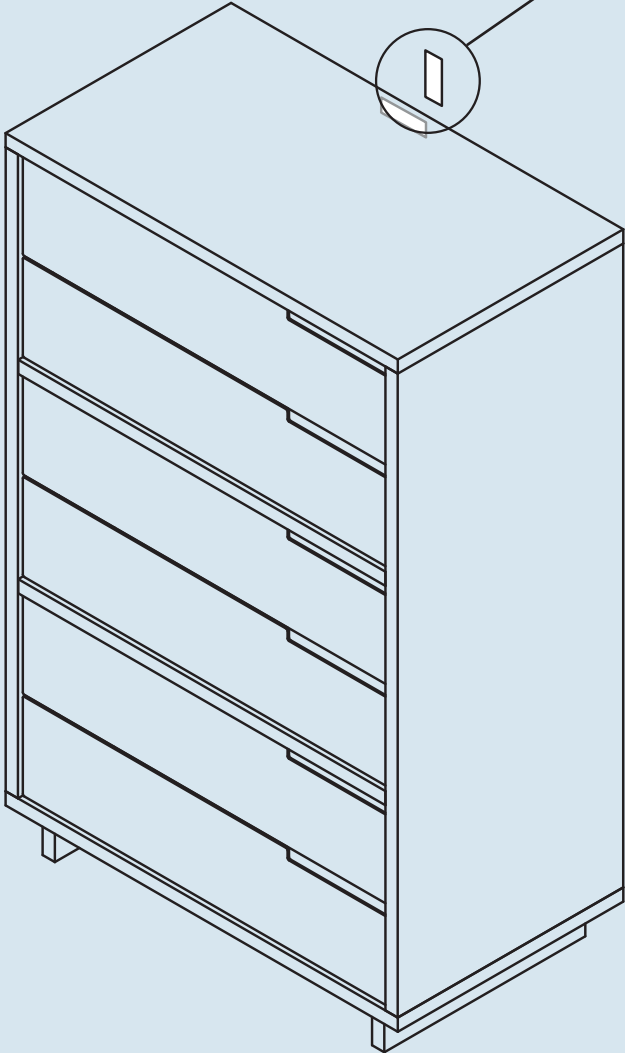


PT. 1217 x 2

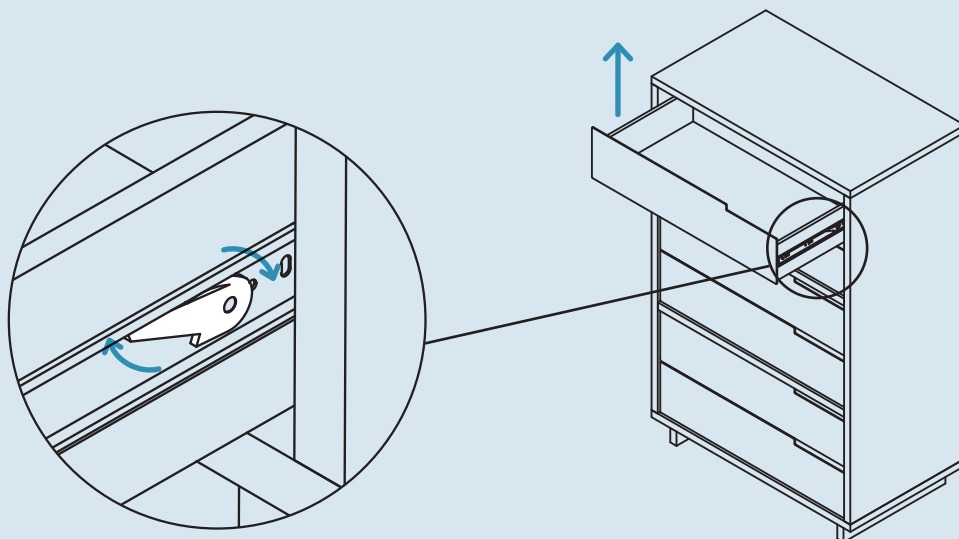
# Step 11

SECURE THE CASE.

Install and tighten the strap prior to using the product.

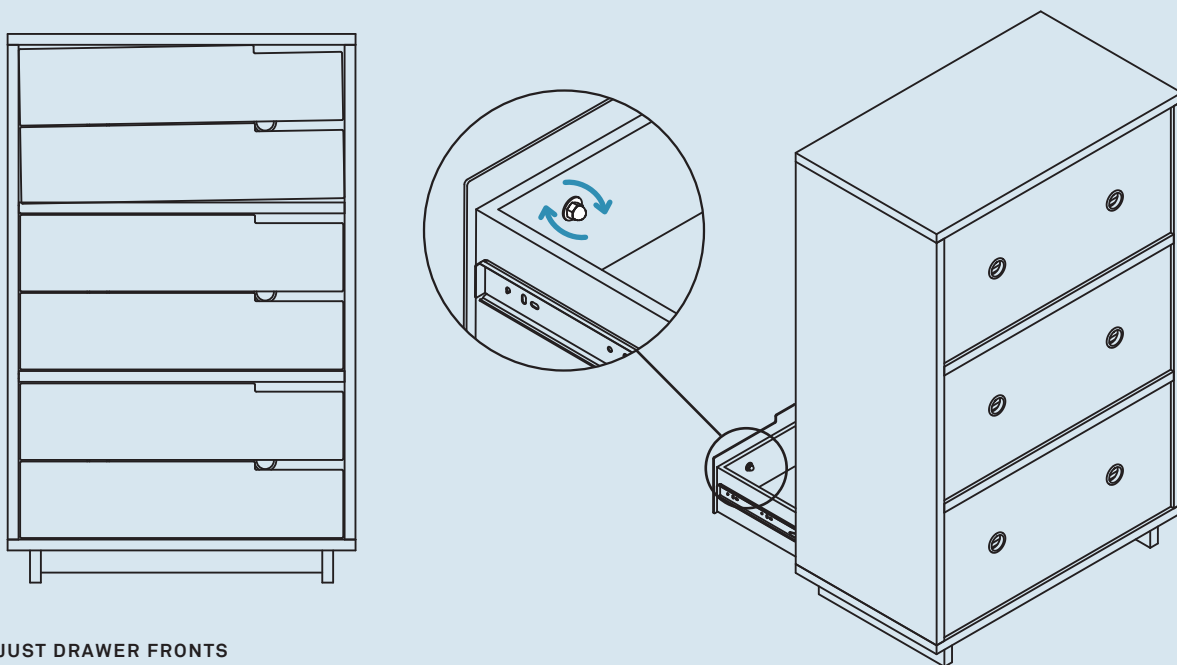


## Additional Information



### TO REMOVE DRAWERS

Pull lever up on the right side and push down on the left side of the drawer slide. With levers engaged pull drawer out.



### TO ADJUST DRAWER FRONTS

Loosen the acorn nuts, adjust drawer front, re-tighten acorn nuts.

### CLEAN

Clean with a slightly damp, soft cloth. To remove dirt and fingerprints, use a quality cleaner formulate for wood furniture. Wipe completely dry with a soft cloth in the direction of the wood grain.

