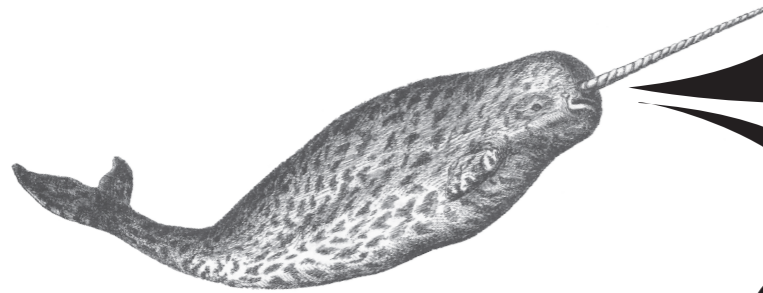


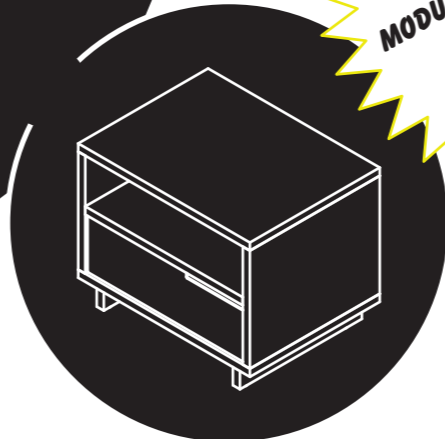
MODULICIOUS

BEDSIDE TABLE

ASSEMBLY INSTRUCTIONS



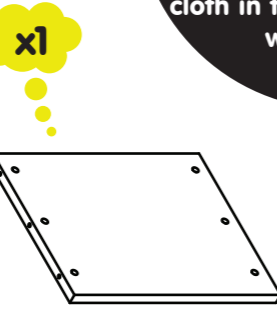
MODULAR AND STYLISH,
WHO KNEW?



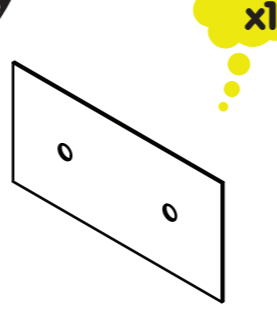
CARE

Clean with a slightly damp, soft cloth. To remove dirt and fingerprints, use a quality cleaner formulated for wood furniture. Wipe completely dry with a soft cloth in the direction of the wood grain.

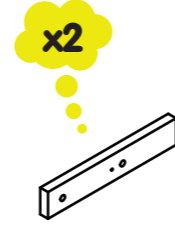
PARTS LIST



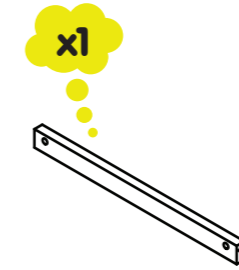
Shelf Panel



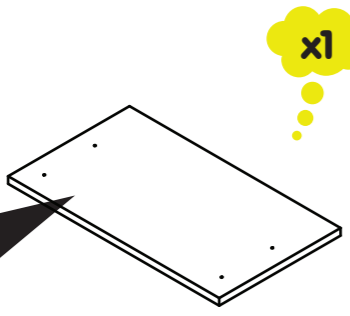
Back Panel



Foot

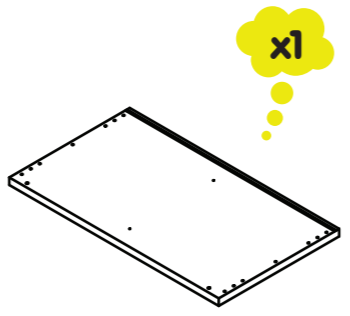


Stretcher

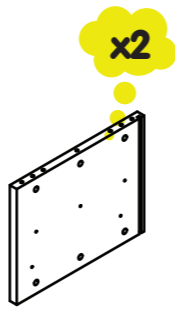


Bottom Panel

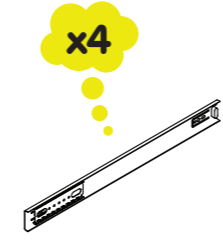
bottom panel has pre-drilled holes on both sides



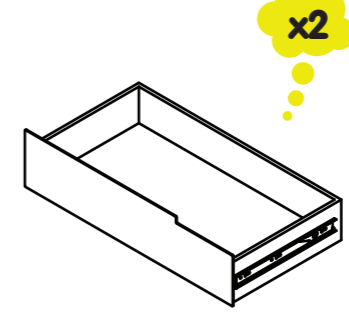
Top Panel



Side Panel



Drawer Slide



Drawer

HARDWARE

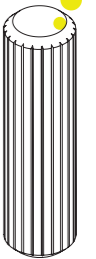
x24
5002



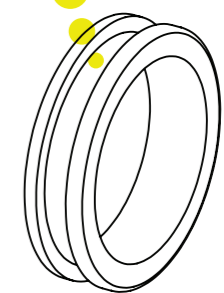
x24
5001



x16
5005



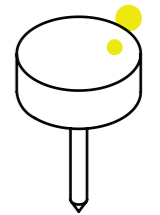
x1
8018



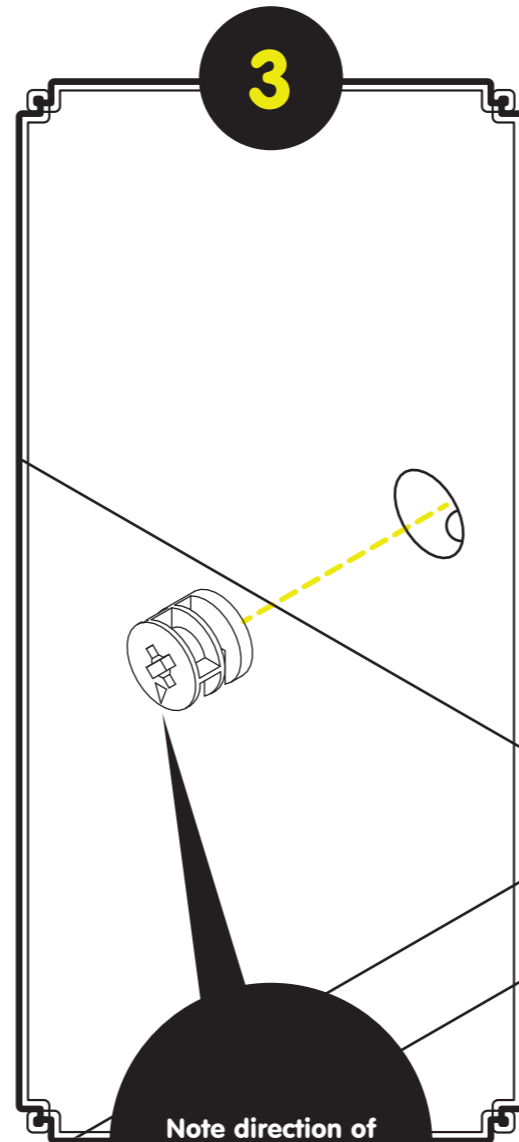
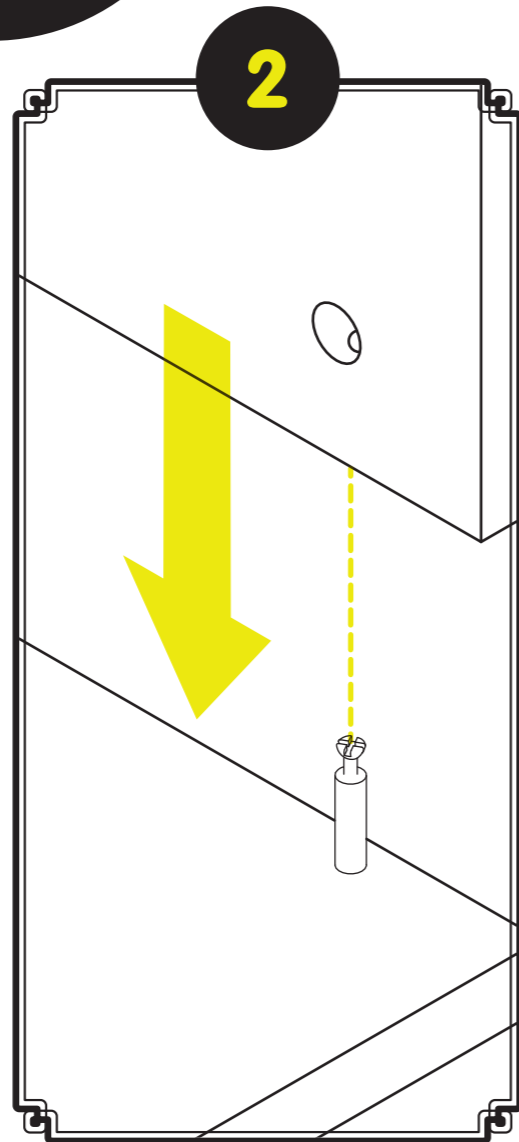
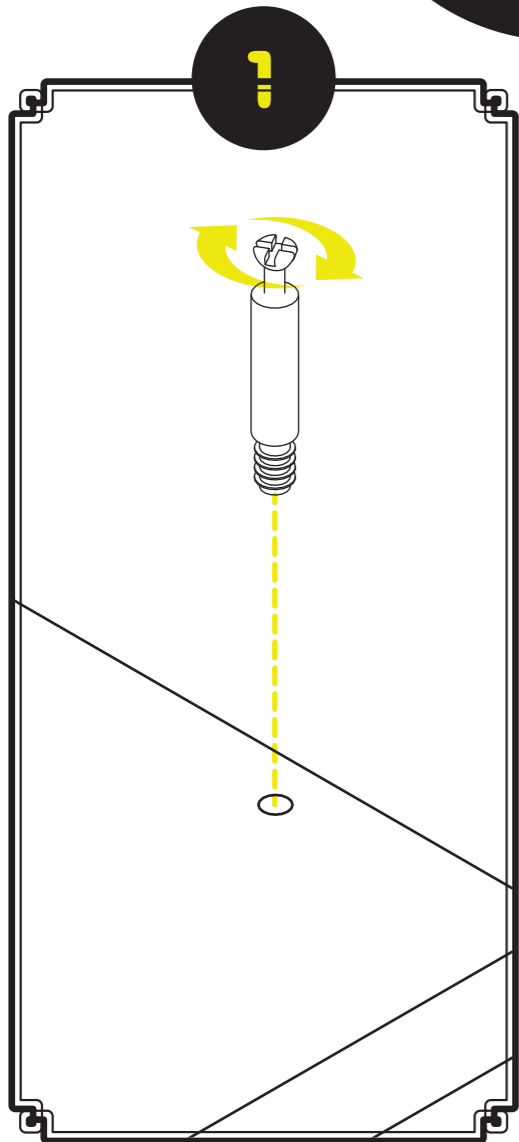
x4
1023



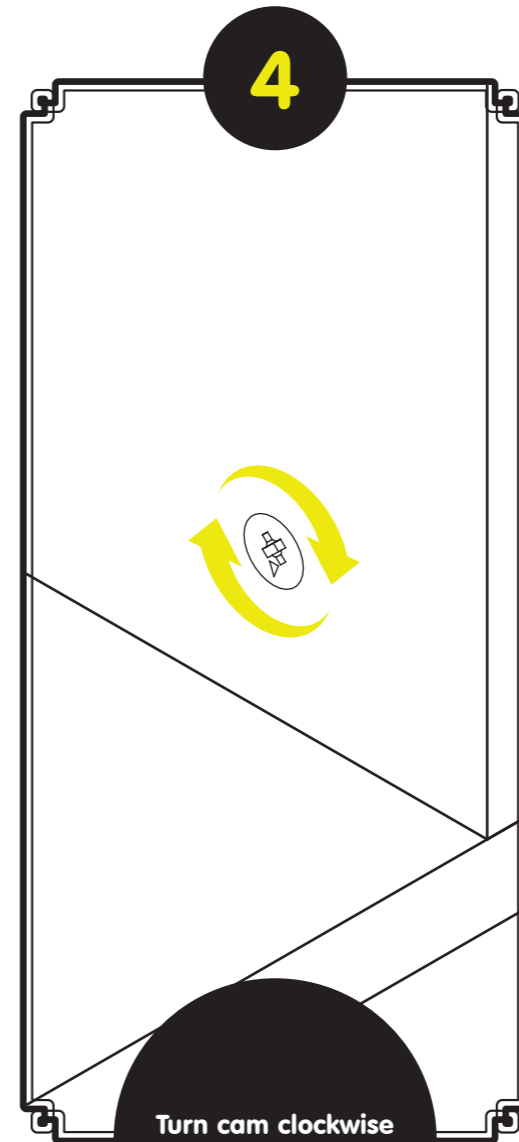
x4
4005



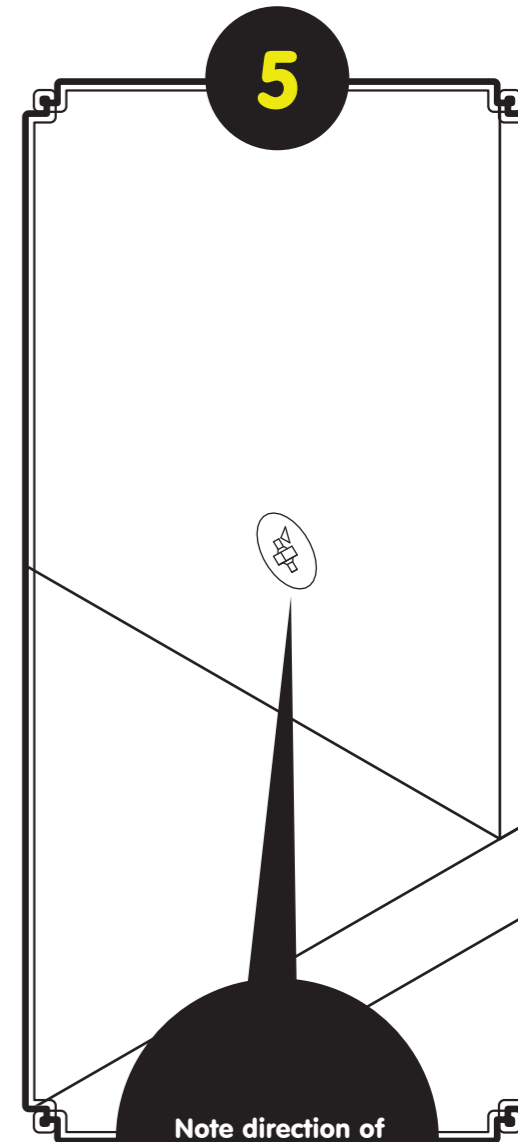
HOW TO USE CAM
LOCK HARDWARE



Note direction of
arrow on cam



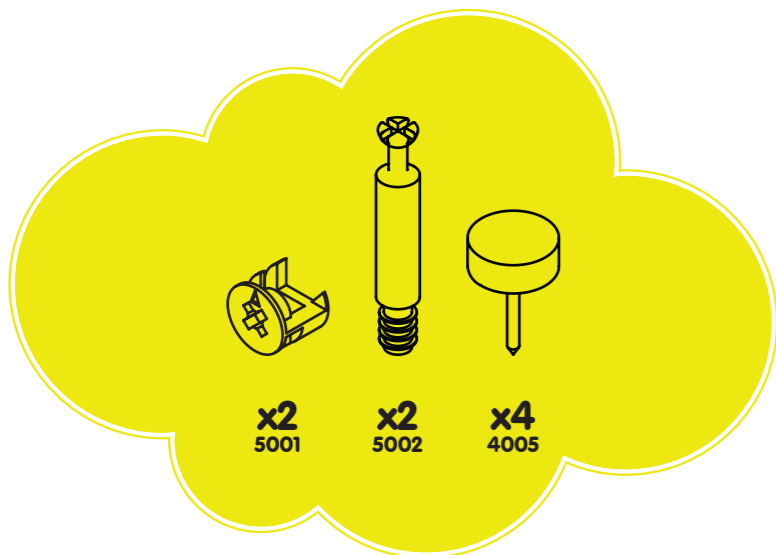
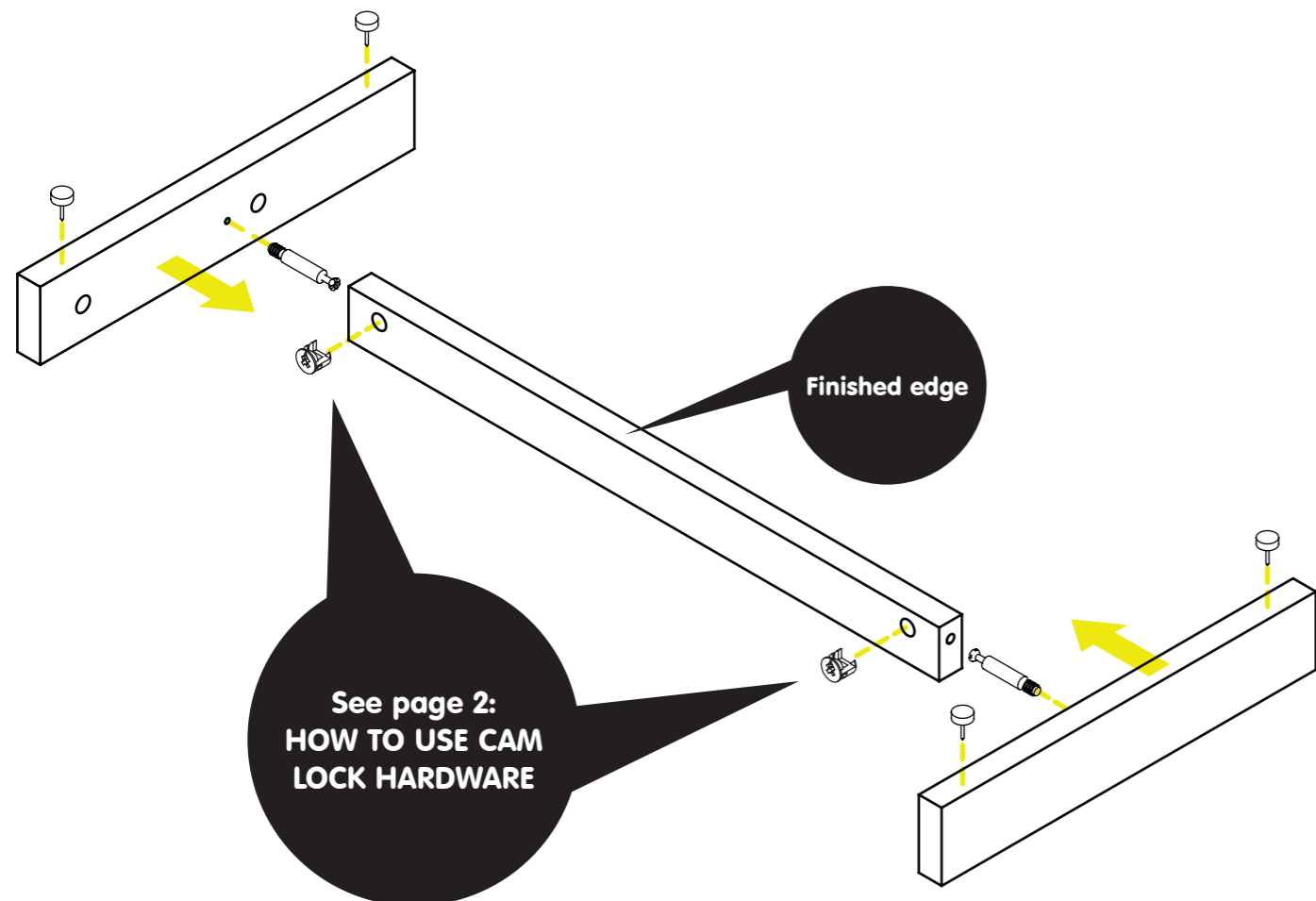
Turn cam clockwise
1/2 turn



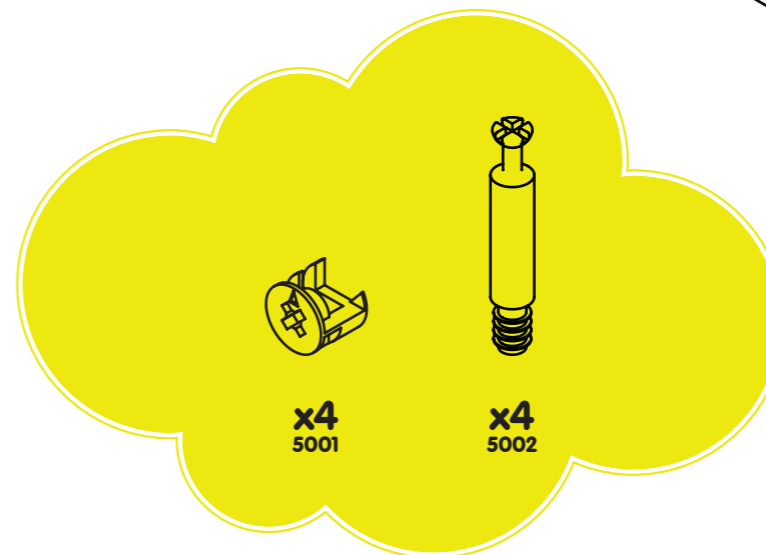
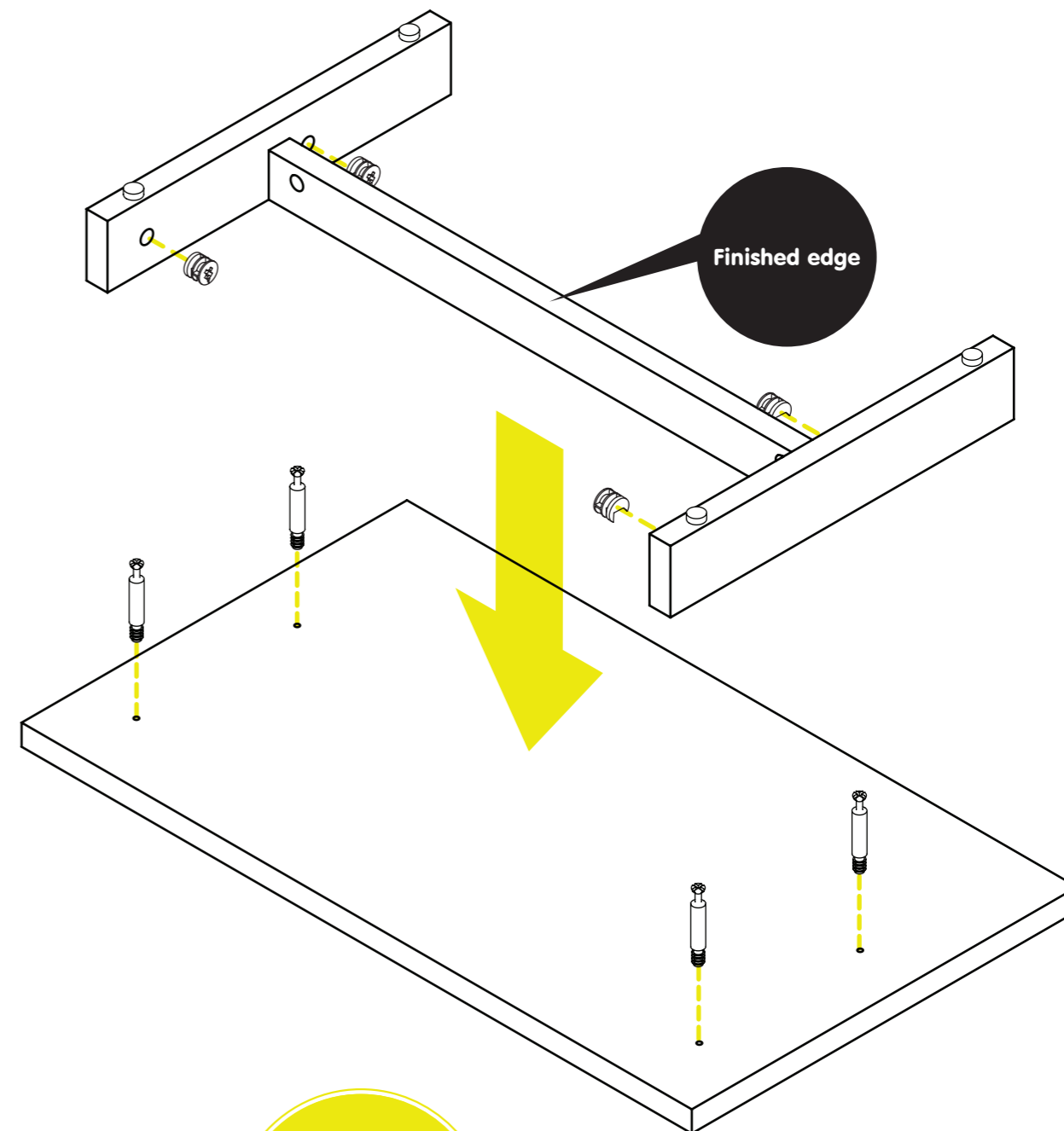
Note direction of
arrow on cam

1

ASSEMBLE ON
CARPET OR
PROTECTIVE MAT

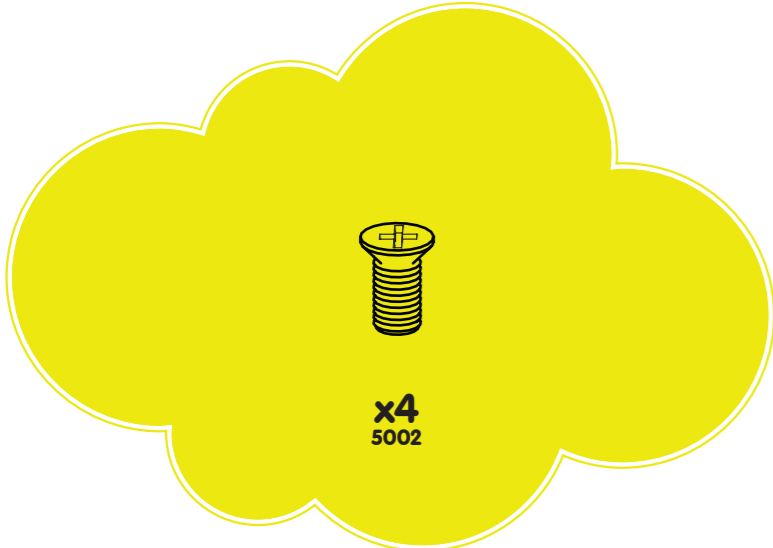
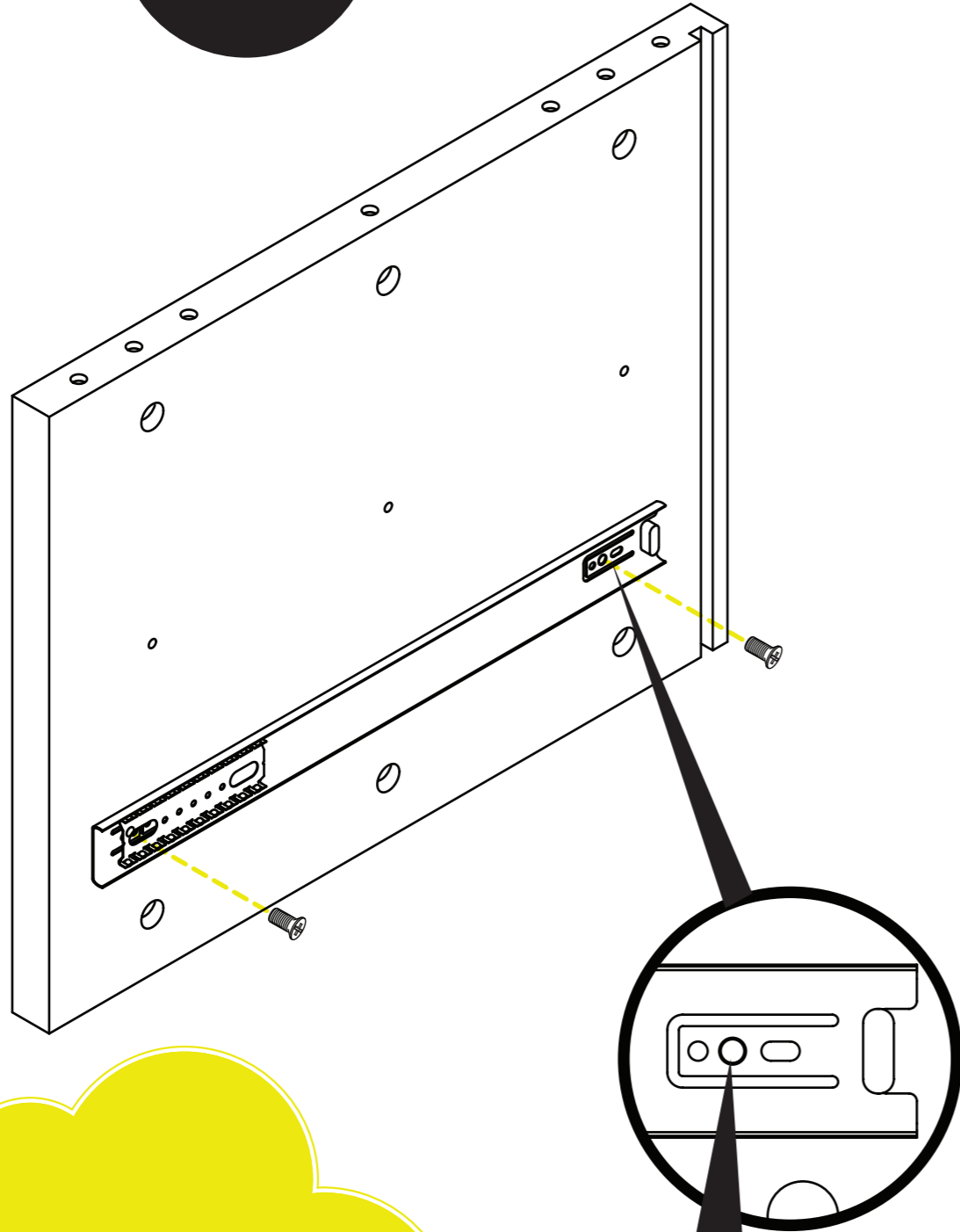


2



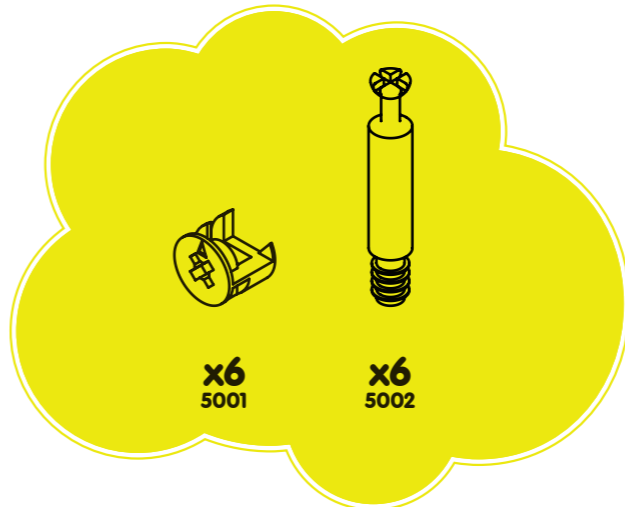
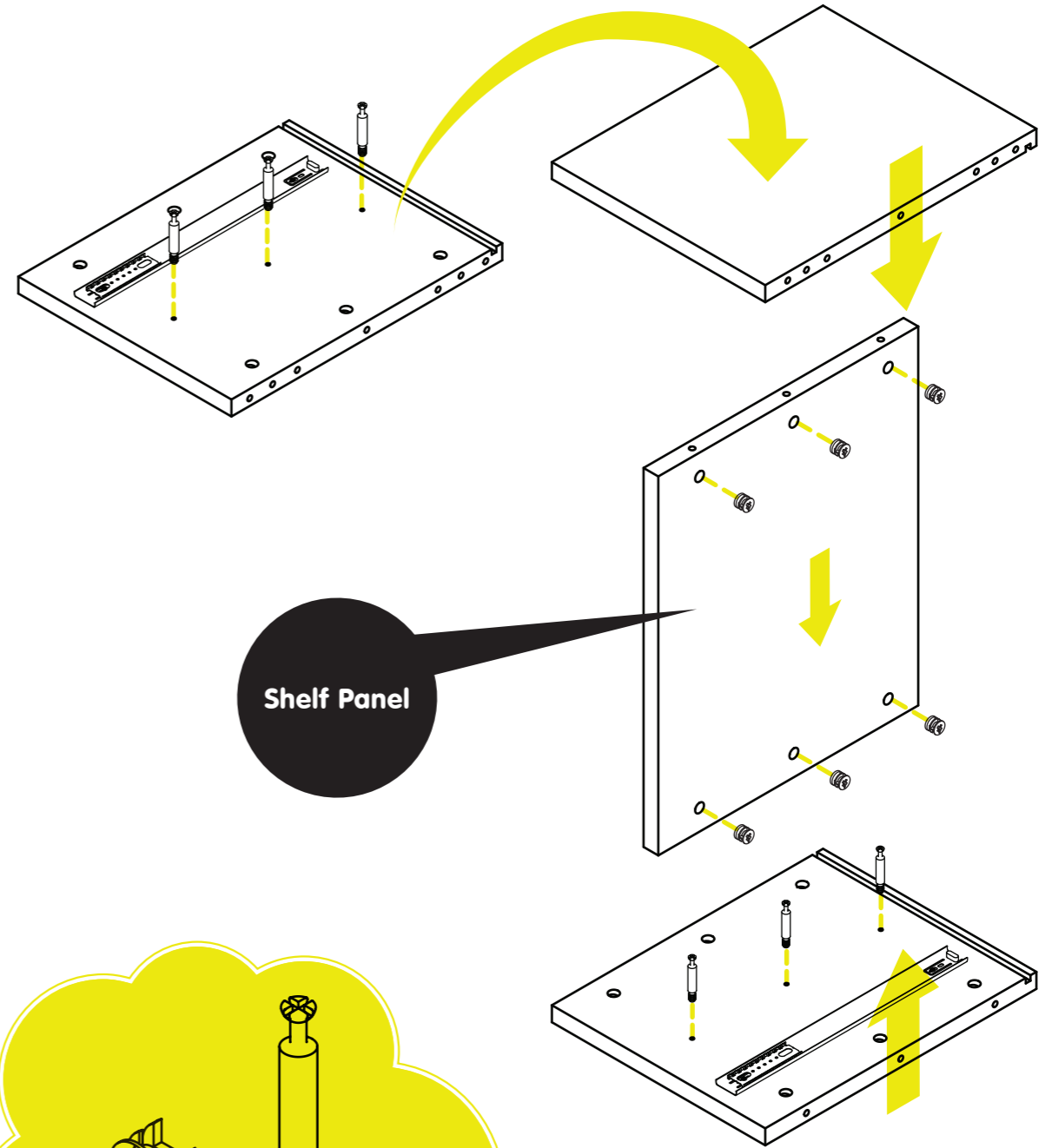
3

REPEAT THIS STEP FOR SECOND SIDE PANEL

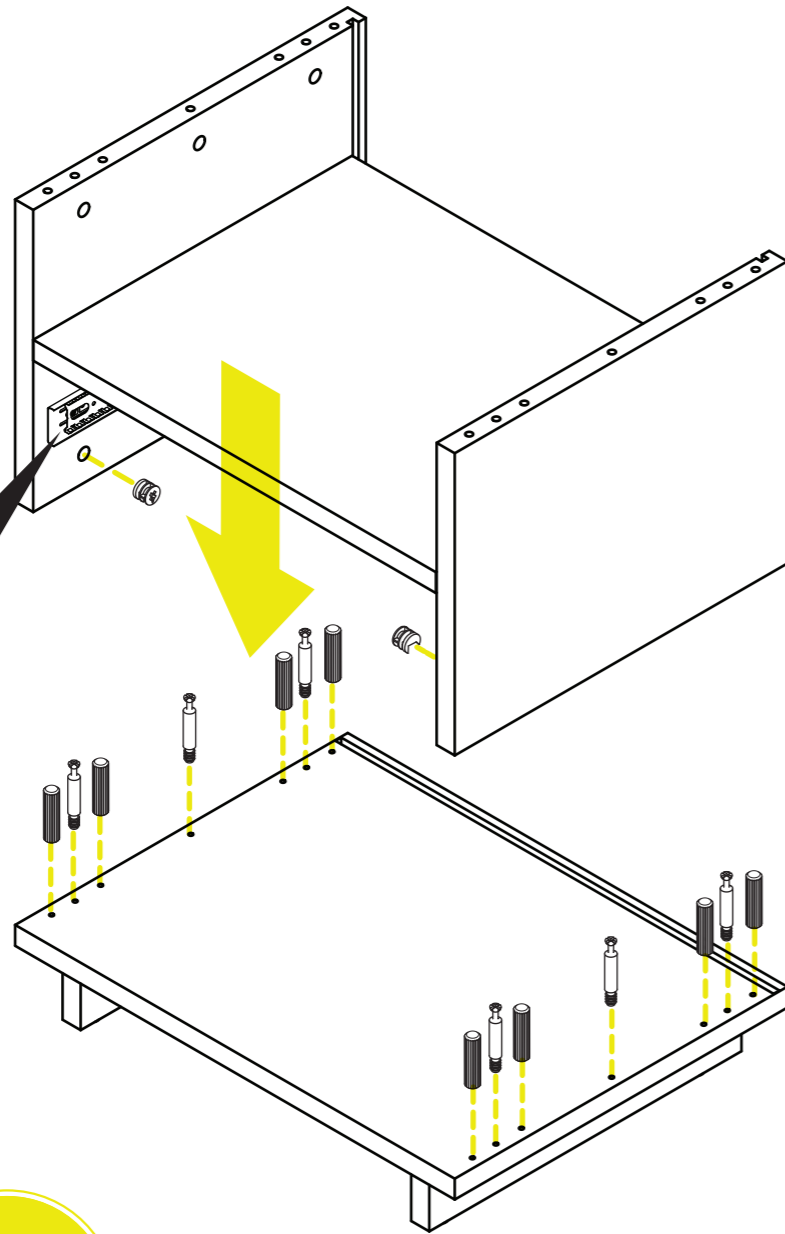


First screw goes here

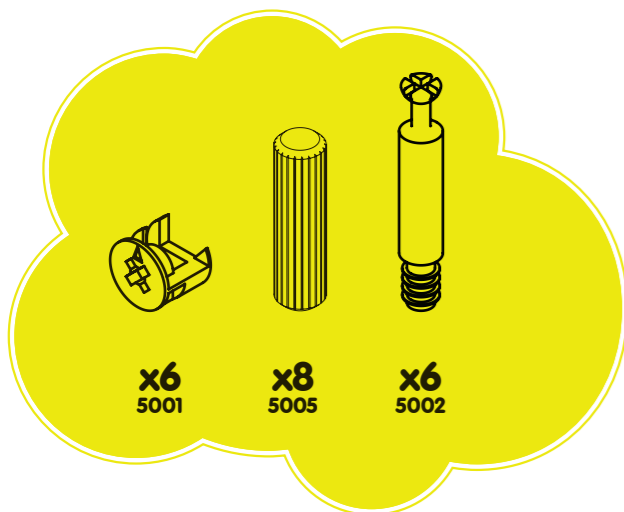
4



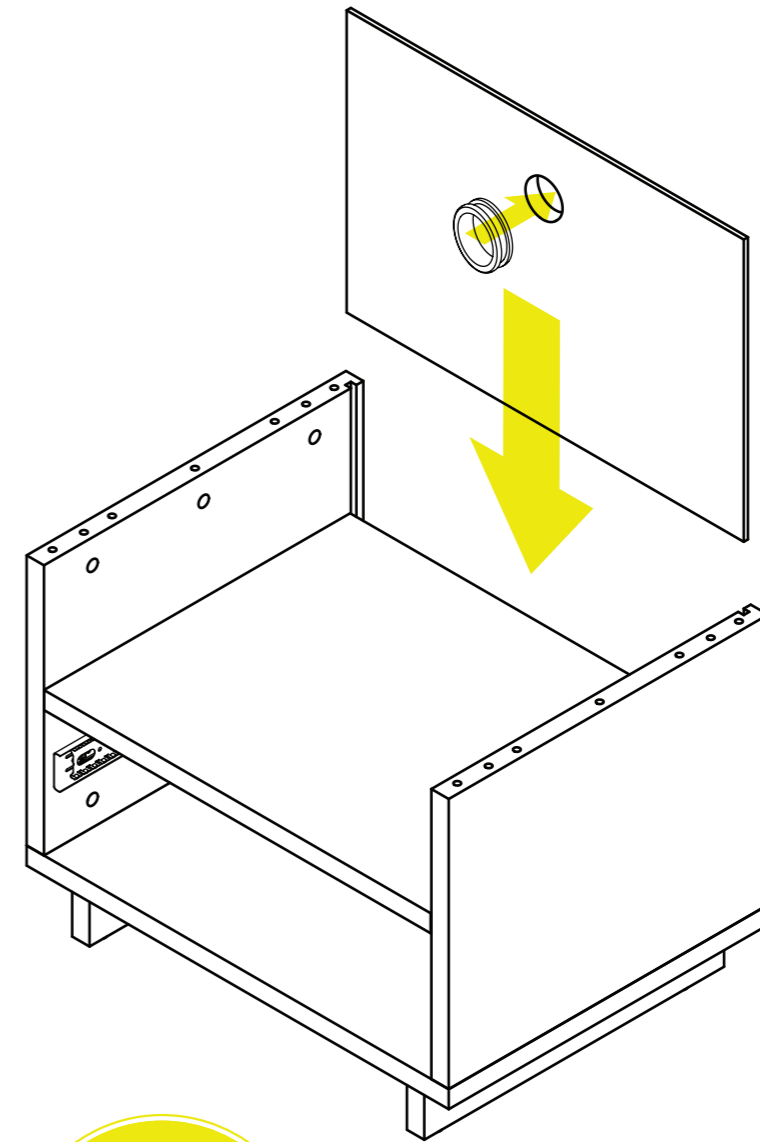
5



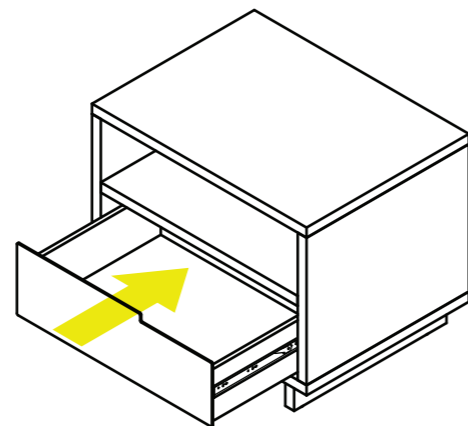
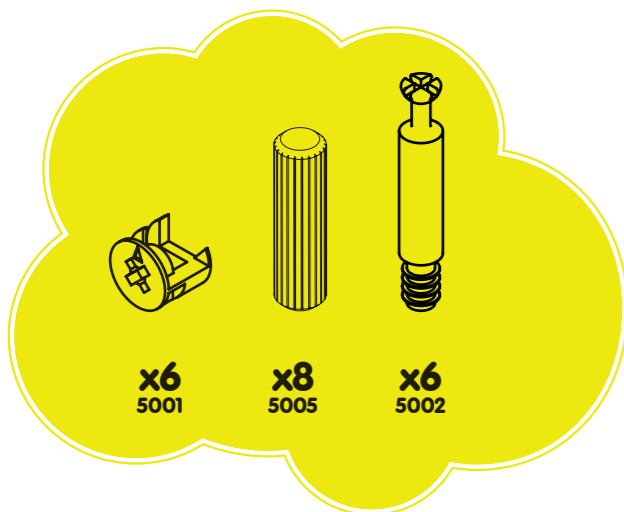
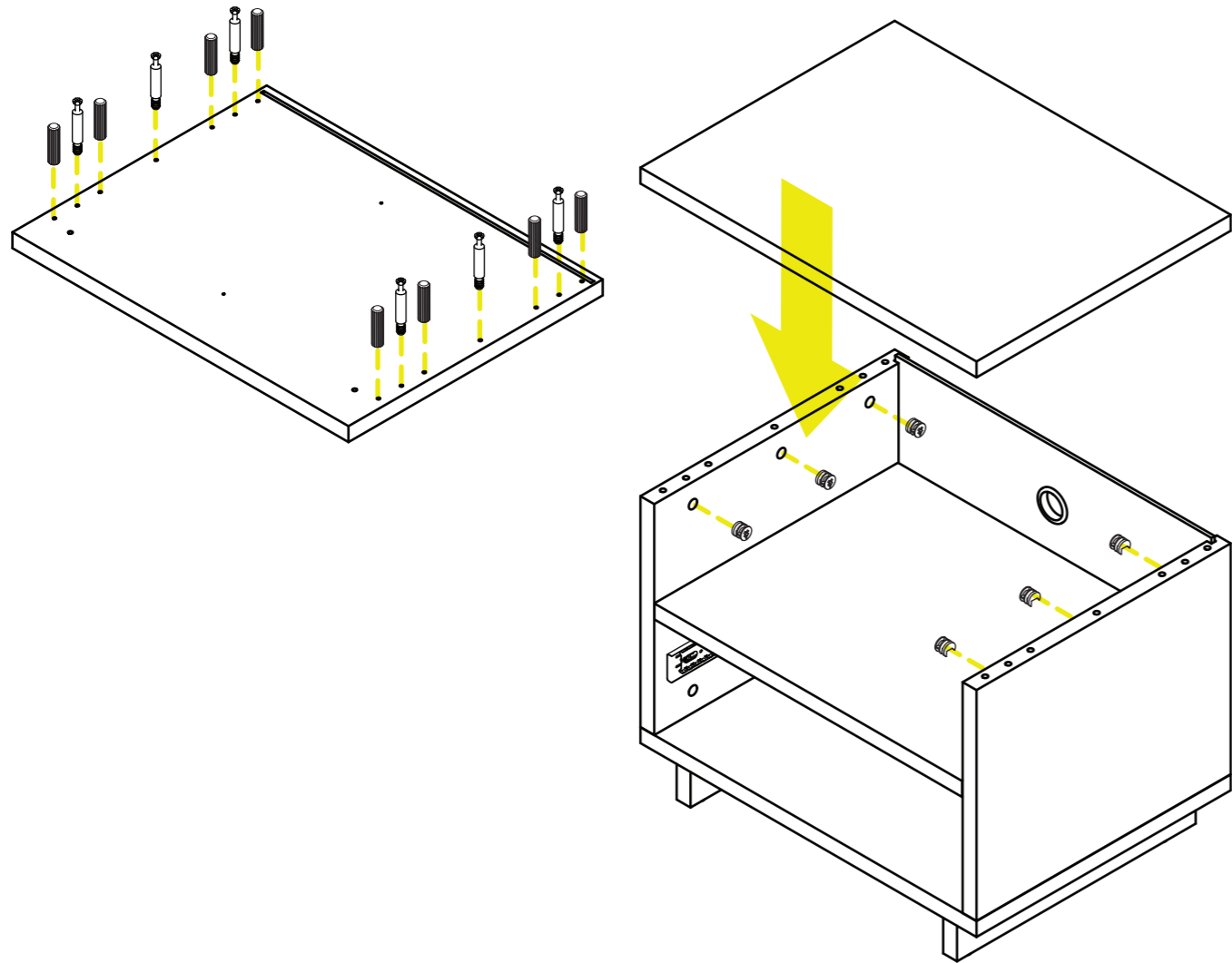
Make sure
drawer slide
is on bottom



6

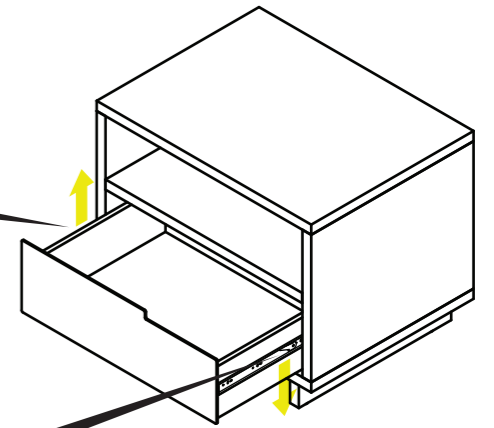
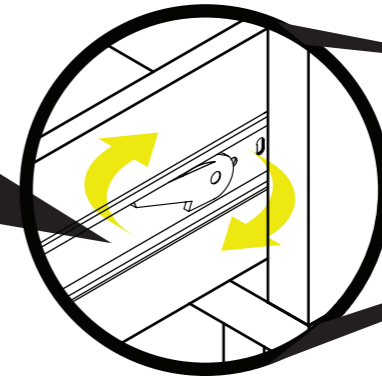


7

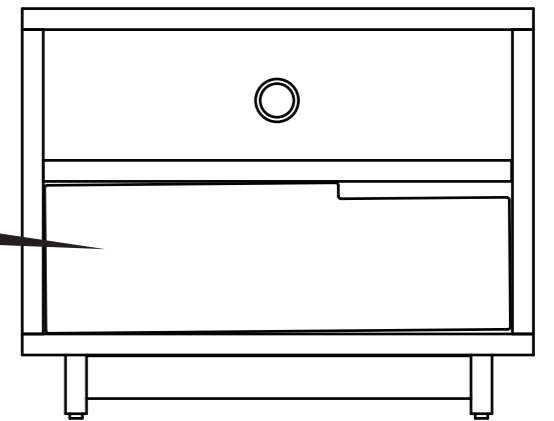


notes

To remove drawer pull lever up on the right side and push down on the left side of the ball bearing drawer slide.



Drawer fronts can be adjusted if drawer gaps are inconsistent.



Loosen the acorn nuts, shift the drawer front into place and ask a friend to hold the drawer front in place while you re-tighten the nuts (but don't over tighten).

