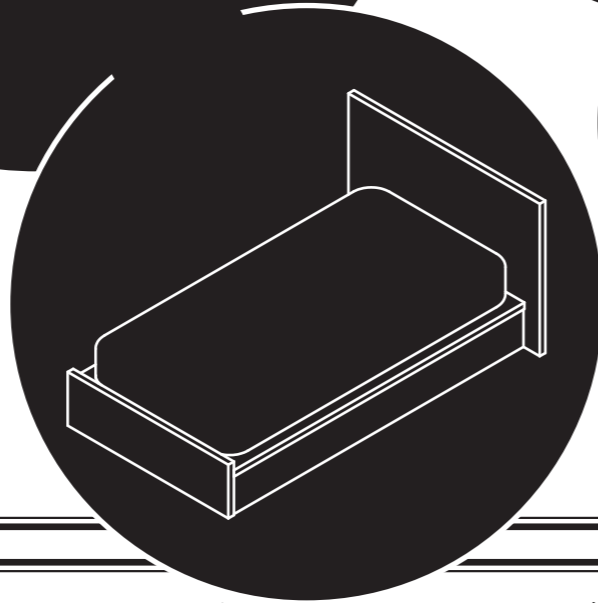
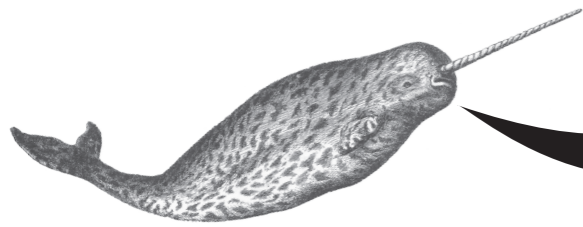


BLU
DOT

MODULAR AND STYLISH,
WHO KNEW?

MODU- LICIOUS Twin Bed

ASSEMBLY INSTRUCTIONS

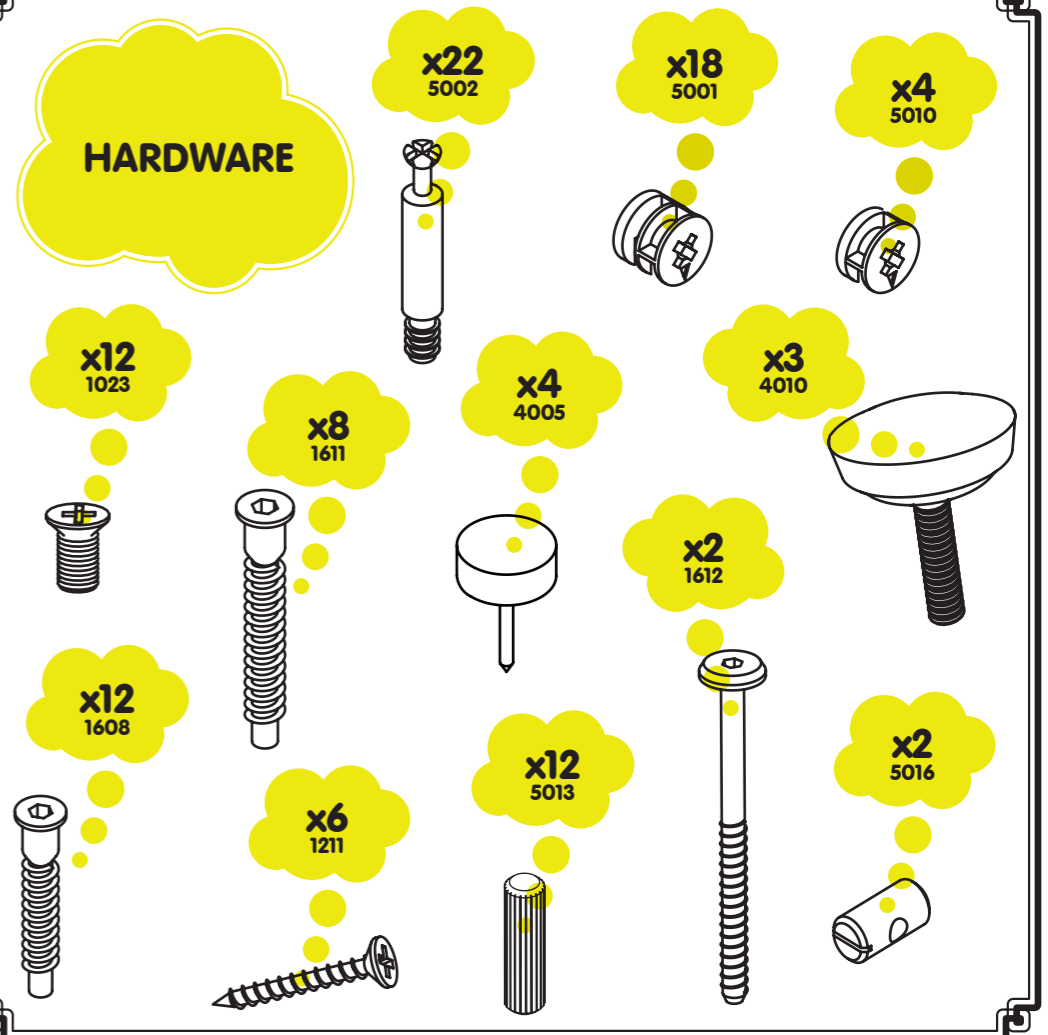


CARE

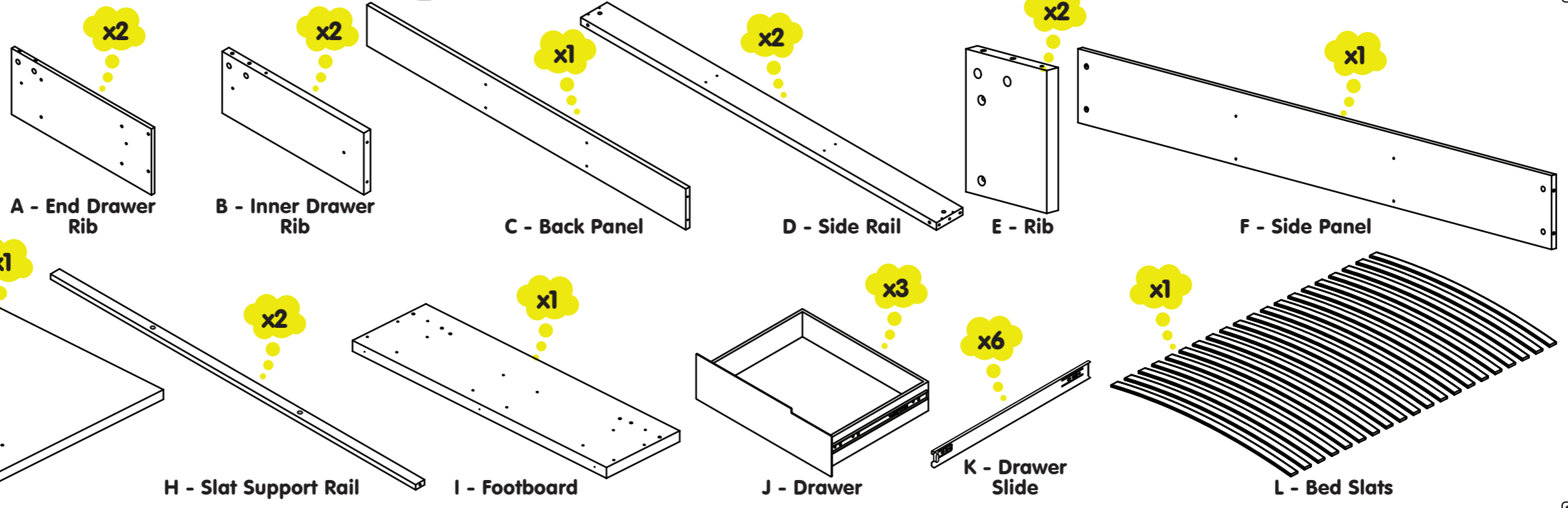
Clean with a slightly damp, soft cloth. To remove dirt and fingerprints, use a quality cleaner formulated for wood furniture. Wipe completely dry with a soft cloth in the direction of the wood grain.

Clean powder-coated units with a soft cloth or sponge using a mild detergent, such as dish soap, and warm water. Wipe completely dry with a soft cloth.

HARDWARE



PARTS LIST

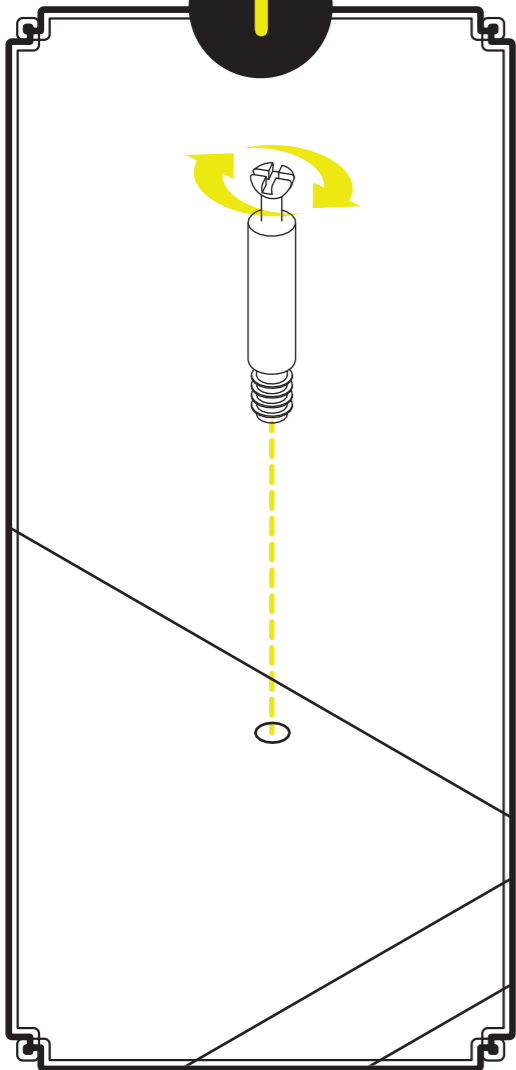




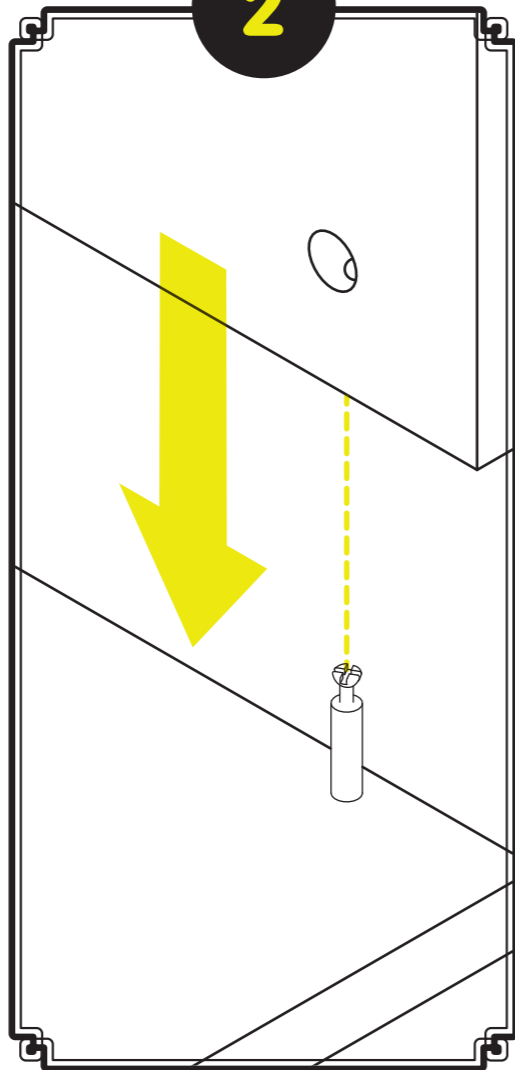
HOW TO USE CAM LOCK HARDWARE



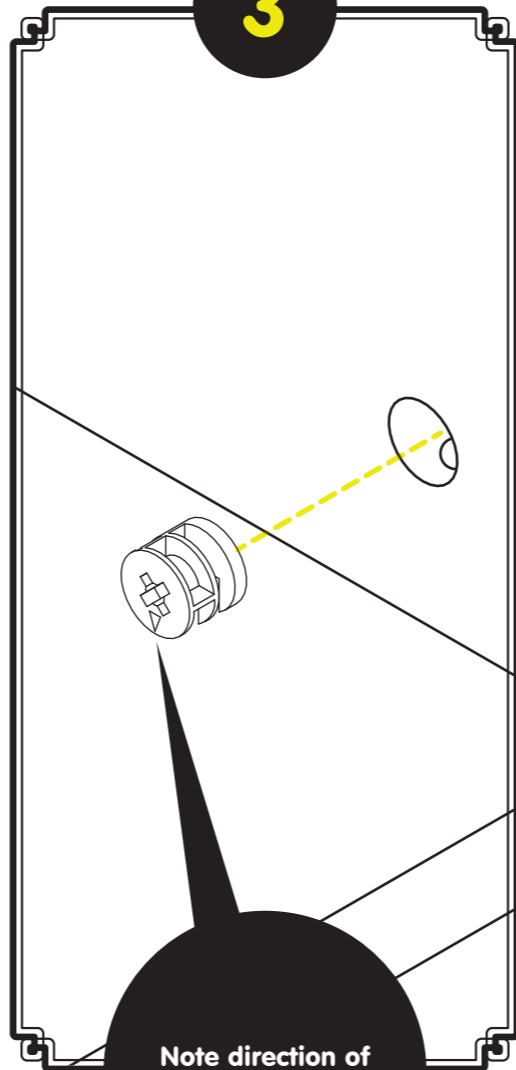
1



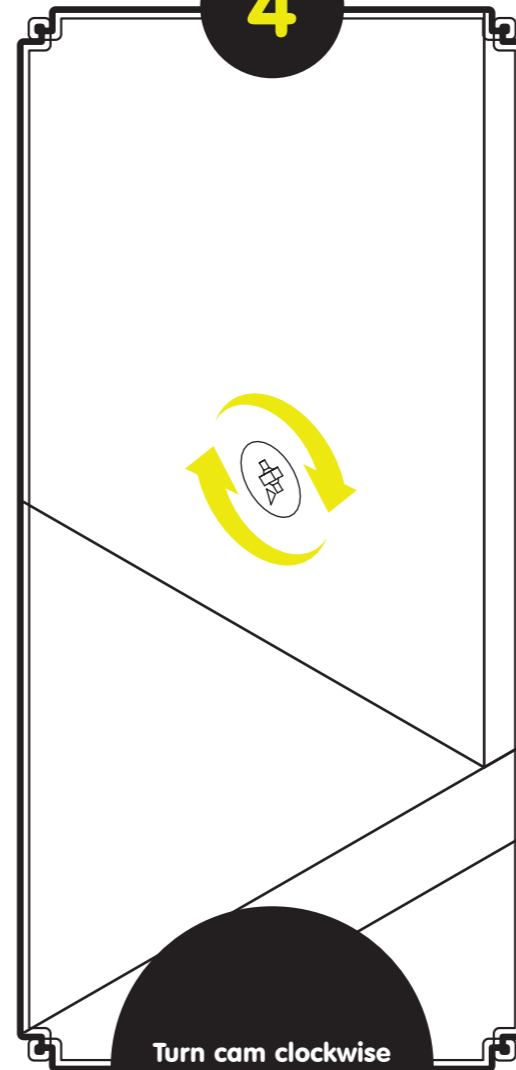
2



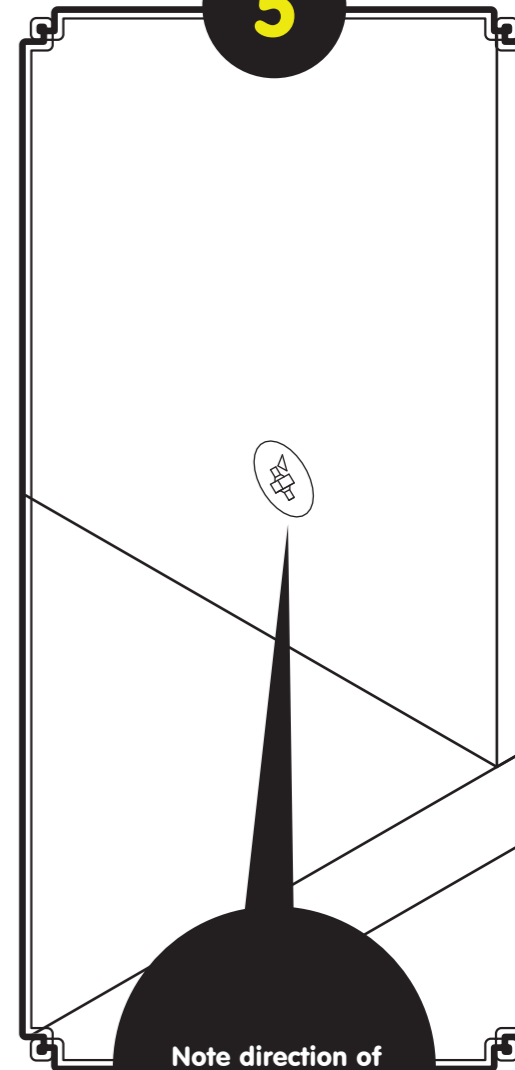
3



4



5



1 ASSEMBLE ON CARPET OR PROTECTIVE MAT

Part A will have 1 panel with a drawer slide installed on the front side only (left) and 1 panel with a drawer slide installed on the back side only (right).

Part B will have drawer slides installed on both the front and back sides.

Part A is thinner than Part B

First screw goes here

x12 1023

x8 1611

x3 4010

x2

2

x8 1611

x3 4010

3

x8 5002

x4 5001

x4 5010

4

x8 5002

x8 5001

