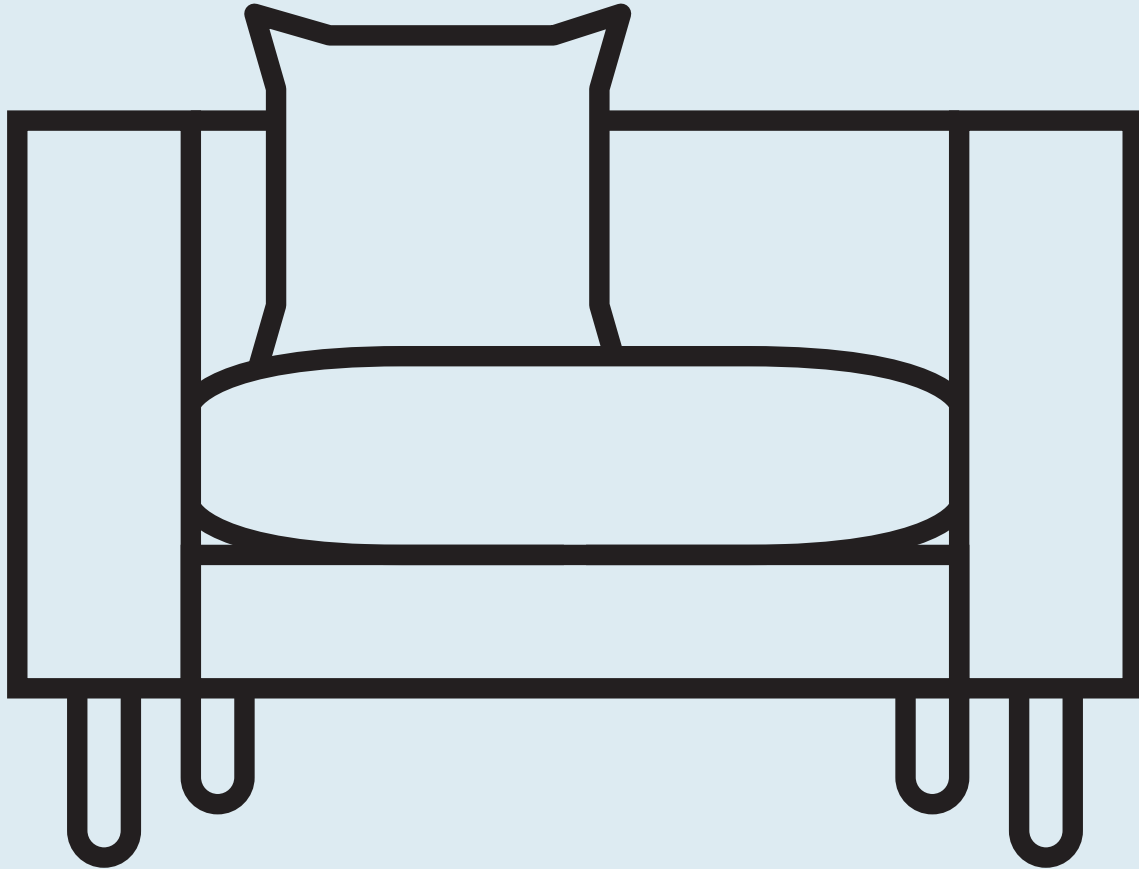


Mono Collection

DESIGNED IN 2014

ASSEMBLY NOTES | REV 01



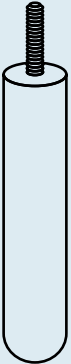
CURTAINS MATCH THE CARPET.

Streamline simplicity. One cushion, one color -all dreamy.

NEED A HAND?

Contact us at service@bludot.com or
844.425.8368 for assistance.

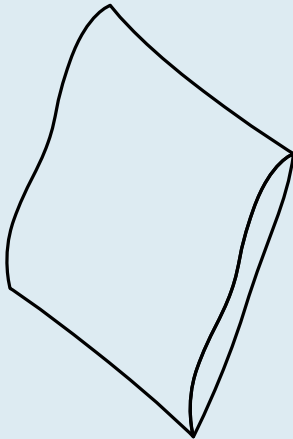
Parts & Hardware



QTY

4

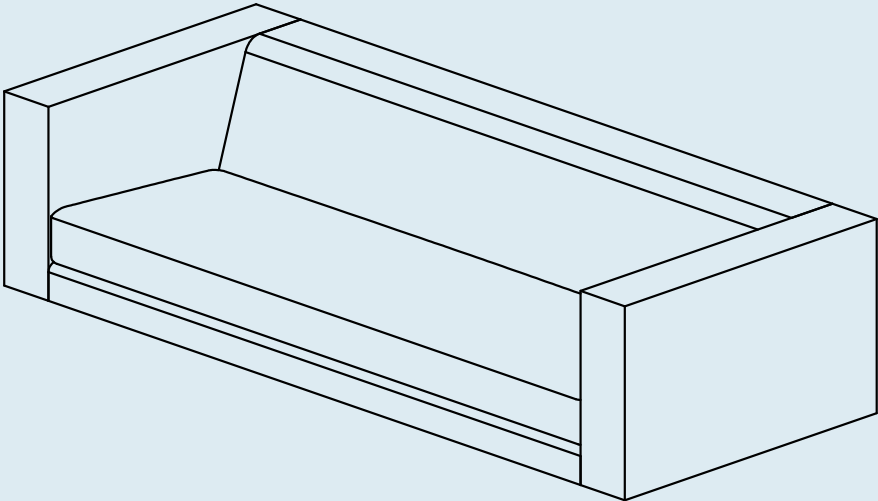
Leg



QTY

3*

Pillow



QTY

1

Sofa

*Pillow quantity will vary depending on size purchased.

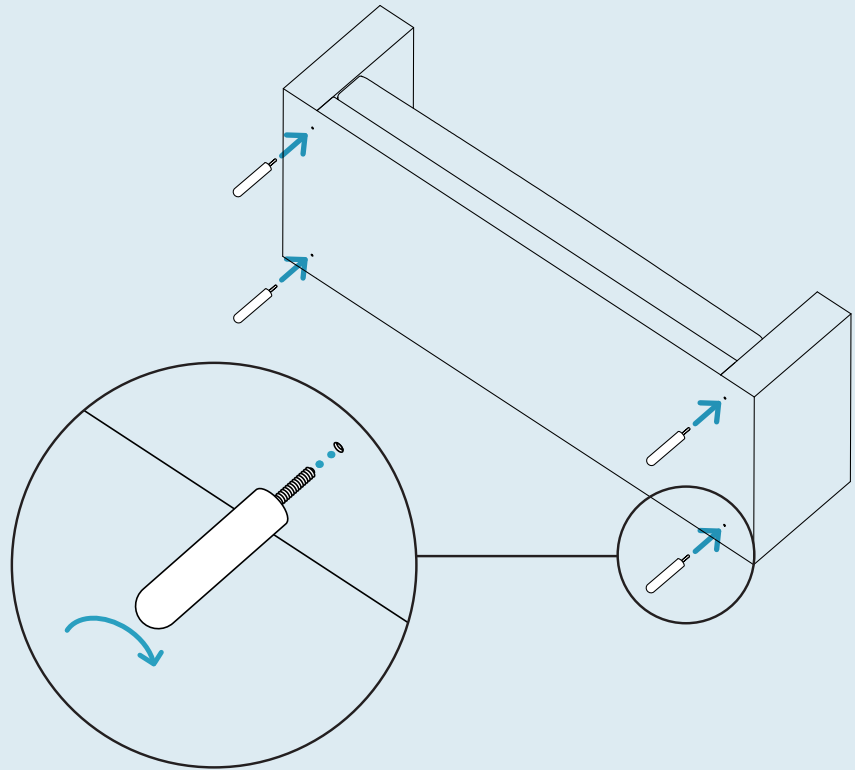
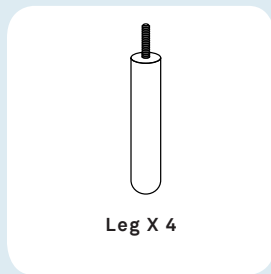
Step 01

ATTACH THE LEGS.

Attach the legs as shown.

Precaution:

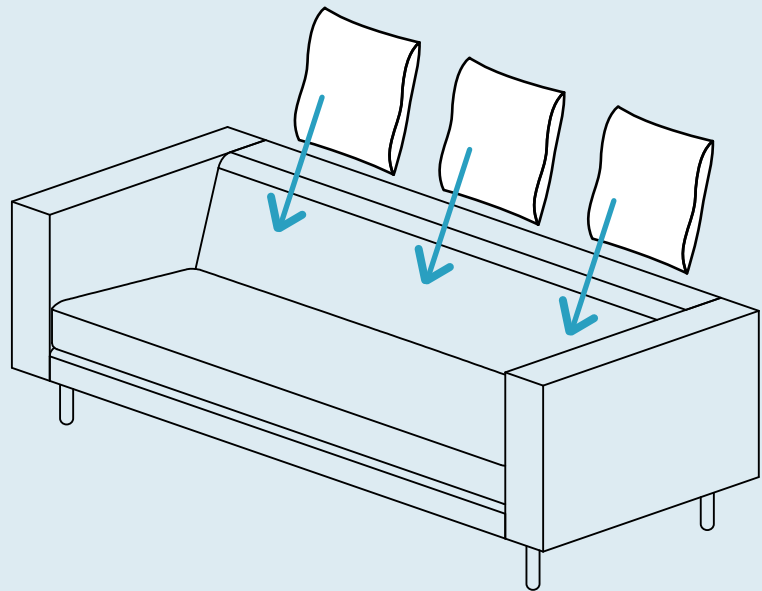
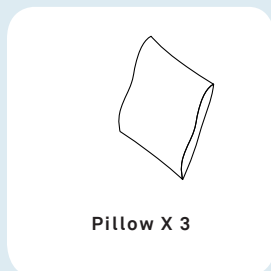
Once the legs have been attached, have a second person help lift and bring the case upright in order to prevent leg damage.



Step 02

THE FINAL TOUCH.

Place the cushions.



Additional Information

CLEAN

Vacuum your upholstery regularly.

SPILLS

Act quickly with spills. Absorb the spill with a clean white cloth or paper towel. Never rub the surface. Do not use water or other liquids to clean, as they may stain the fabric. Consult a commercial cleaning specialist for removal of stubborn stains.

AVOID

Keep upholstery & felt furniture out of direct sunlight and away from heat sources; excessive exposure to sunlight may fade the color of the upholstery. Avoid placing heavy or sharp objects on the furniture surface for long periods of time; this can cause permanent indentations in the fabric. For snags in the fabric, tuck loose threads into fabric or carefully push to reverse side. Never pull out or cut off loose threads.

