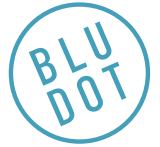


Murmur Collection

DESIGNED IN 2022

ASSEMBLY NOTES | REV 01



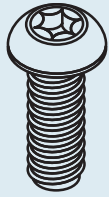
NEED A HAND?

Contact us at service@bludot.com or
844.425.8368 for assistance.

@BLUDOT

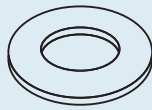
We design all our pieces in our Minneapolis studio. Follow
along on Instagram for some sneak peeks into the process.

Parts & Hardware



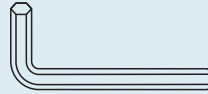
QTY 8

Pt. 1682



QTY 8

Pt. 3002



QTY 1

Pt. 9026



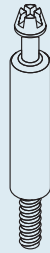
QTY 1

Pt. 9028



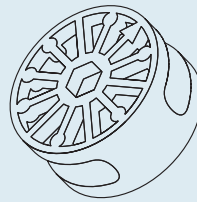
QTY 4

Pt. 5014



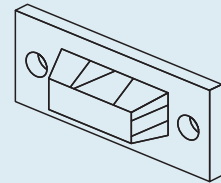
QTY 2

Pt. 5018



QTY 2

Pt. 5019



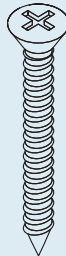
QTY 4*

Pt. 8041



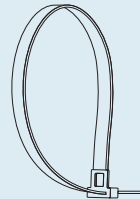
QTY 4*

Pt. 1217



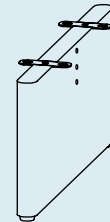
QTY 4*

Pt. 1218



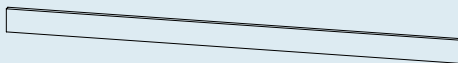
QTY 2*

Pt. 8042



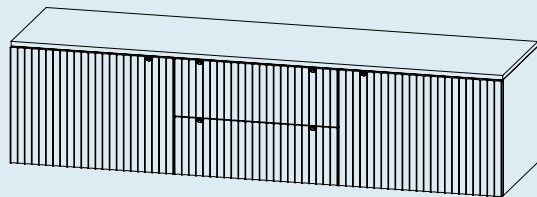
QTY 2

Leg



QTY 1

Stretcher



QTY 1

Case

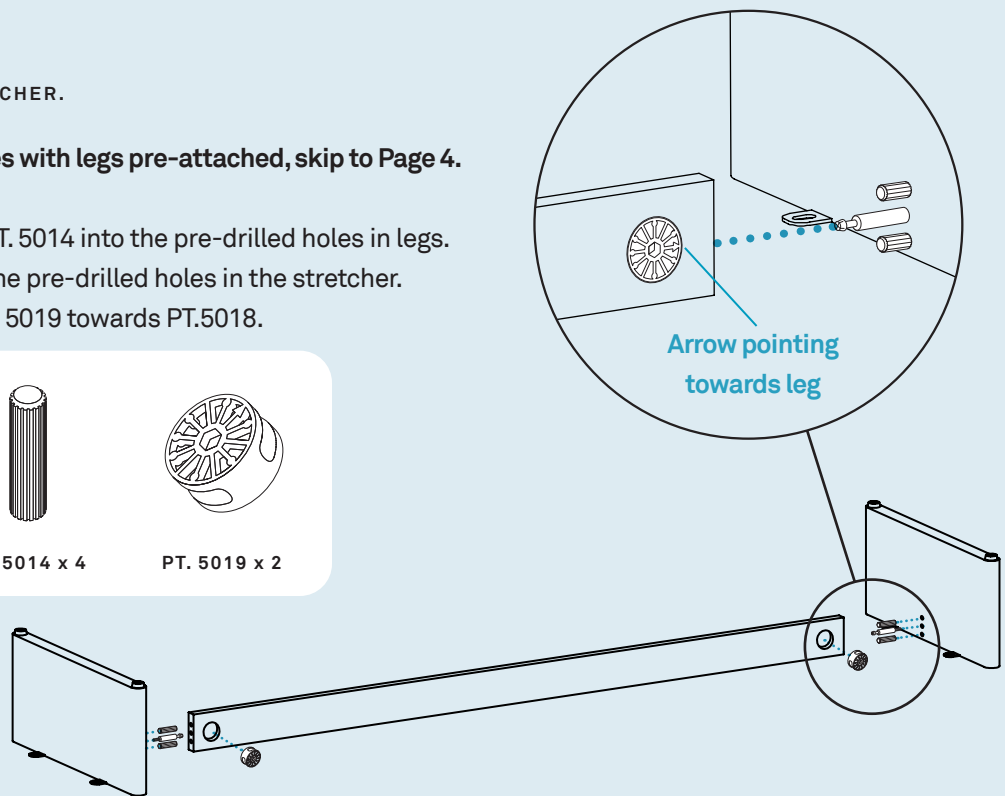
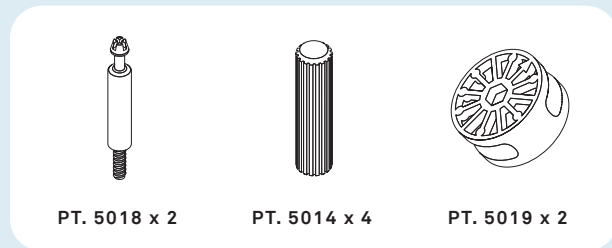
*Smaller cases will include lesser quantities of tip-kit hardware.
 **Nightstand comes fully assembled and will only include tip-kit hardware.

Step 01

ATTACH LEGS AND STRETCHER.

NOTE: Nightstand comes with legs pre-attached, skip to Page 4.

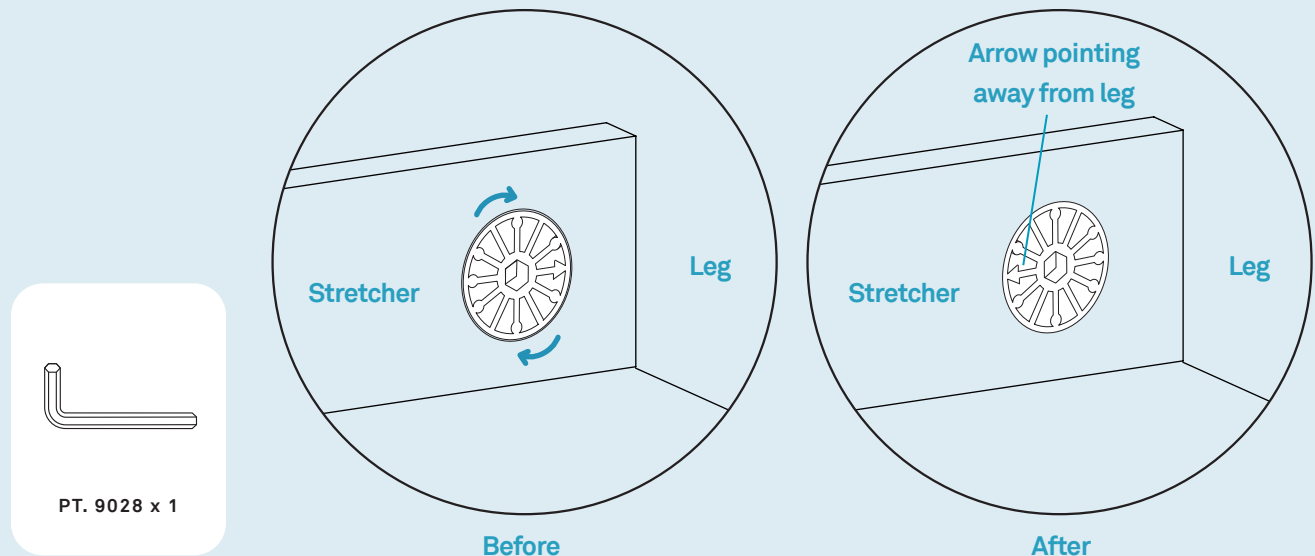
1. Install PT. 5018 and PT. 5014 into the pre-drilled holes in legs.
2. Install PT. 5019 into the pre-drilled holes in the stretcher.
3. Align the arrow on PT. 5019 towards PT.5018.



Step 02

SECURE LEGS AND STRETCHER.

1. Push legs into place.
2. Turn PT. 5019 one half turn, 180°, clockwise as shown.

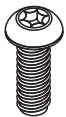
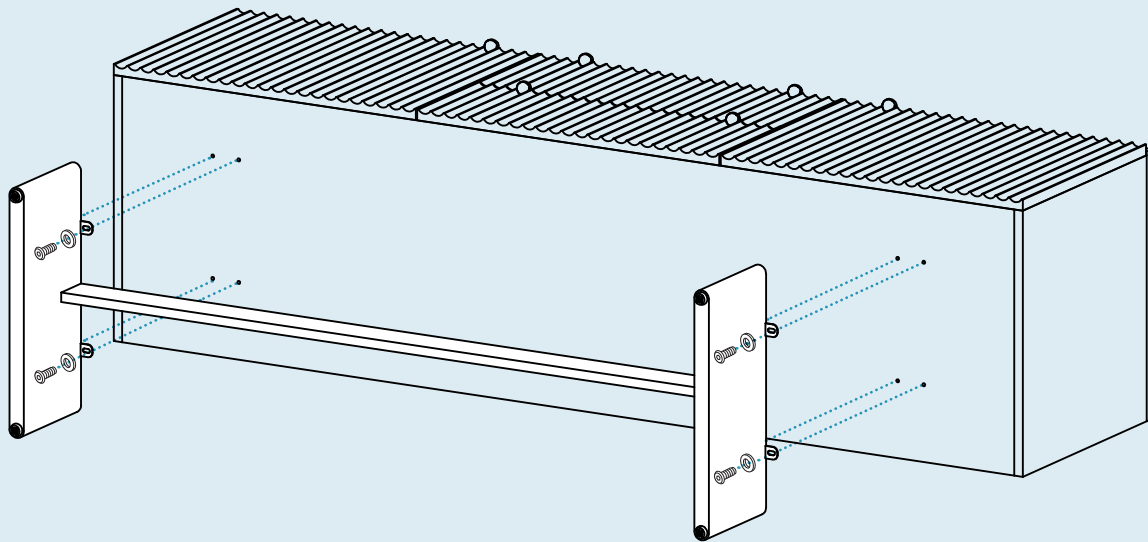


Step 03

ATTACH BASE TO CASE.

This product is heavy. Grab a buddy or two when performing this next step.

Attach the legs to the case case as shown using the provided hardware. Carefully lift case upright after legs are attached.



PT. 1682 x 8



PT. 3002 x 8

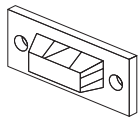
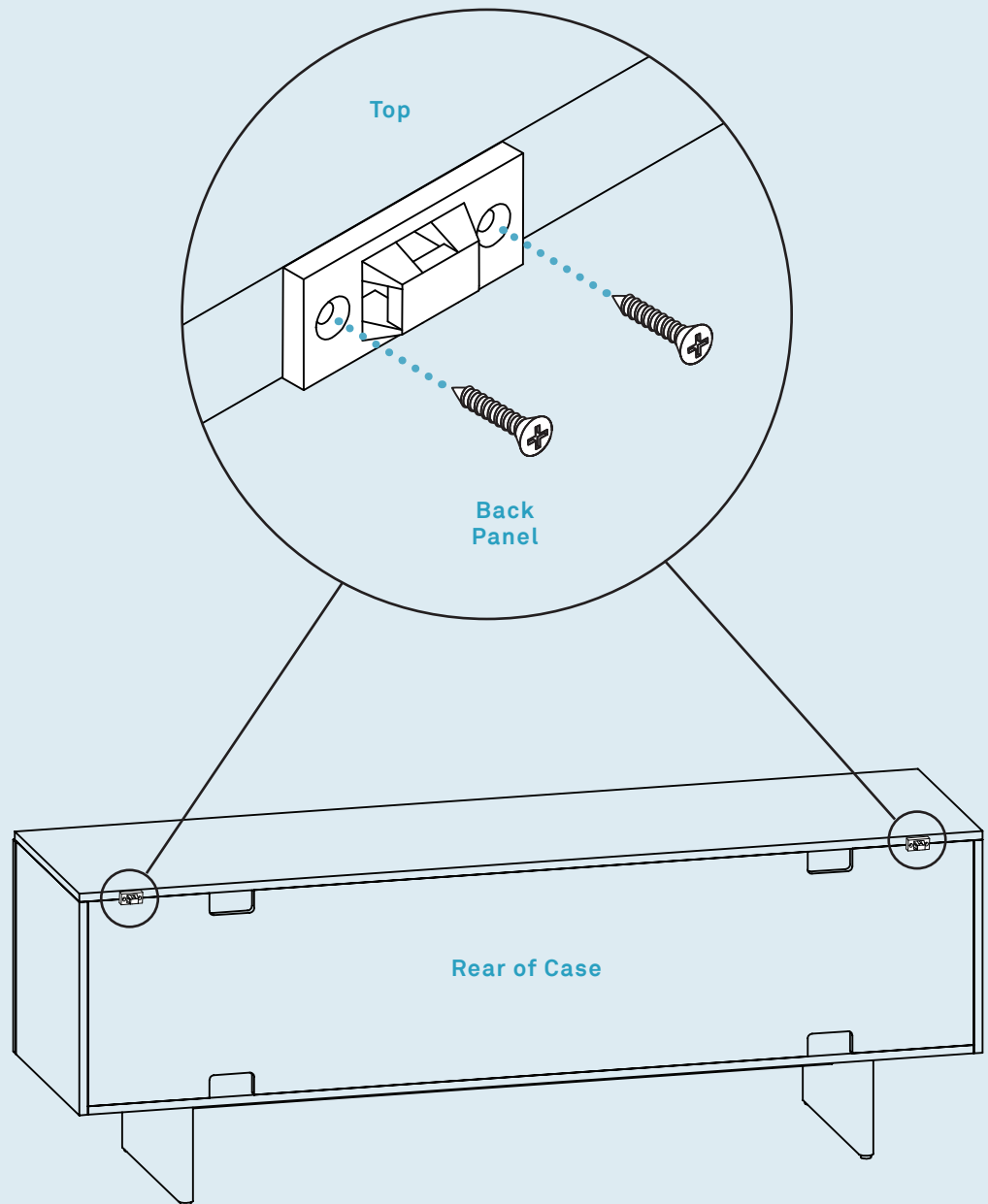


PT. 9026 x 1

Step 04

INSTALL ANTI-TIP BRACKET TO CASE.

Bracket must be installed to top panel of case. In order to prevent damage, it is recommended that 3/32" pilot holes be drilled prior to installation.



PT. 8041 x 2

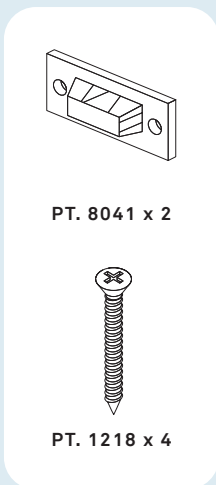
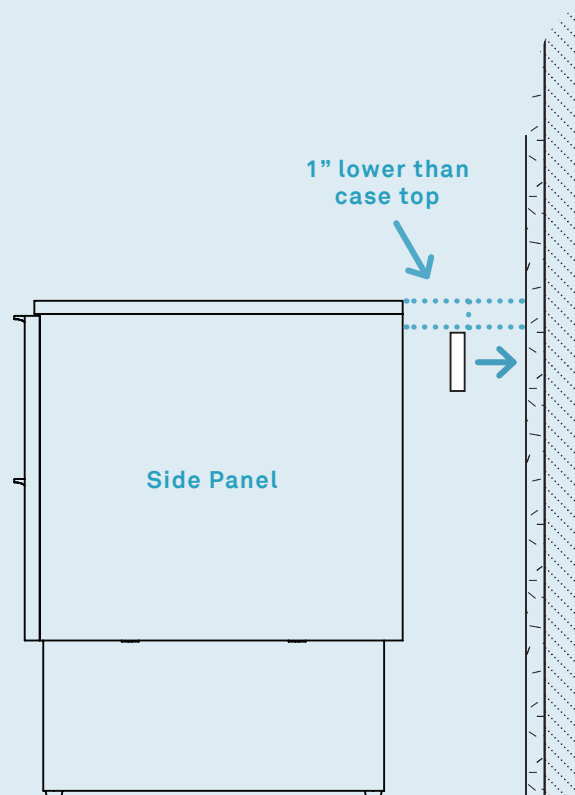
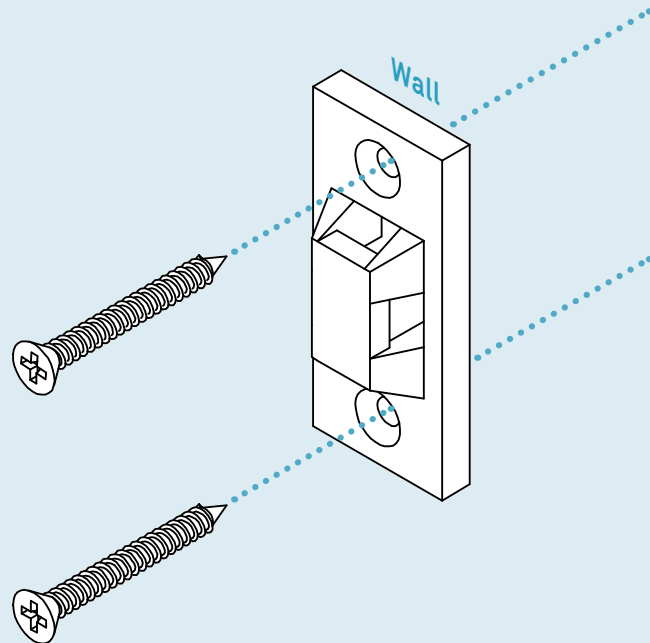


PT. 1217 x 4

Step 05

ATTACH ANTI-TIP BRACKET TO THE WALL.

Install anti-tip bracket to wall stud 1-inch below case top panel height.

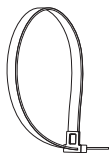
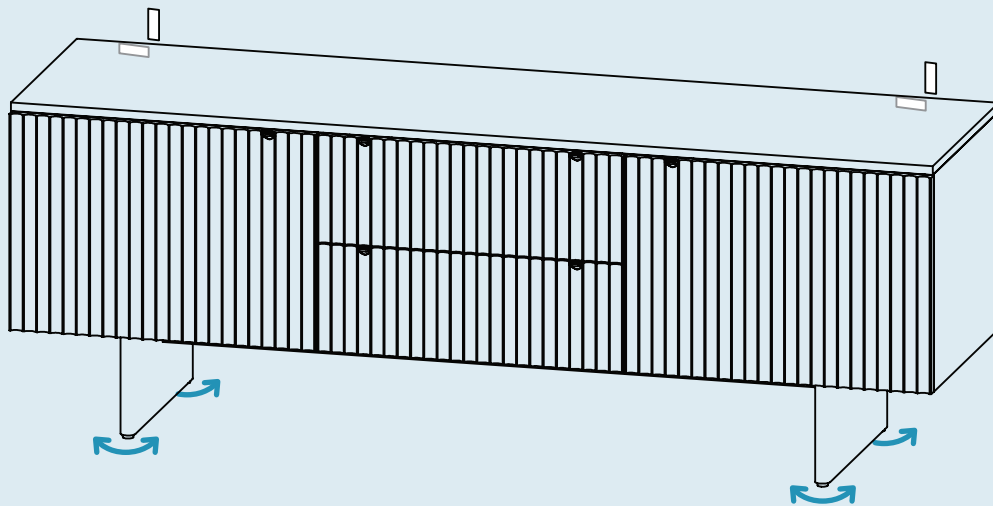
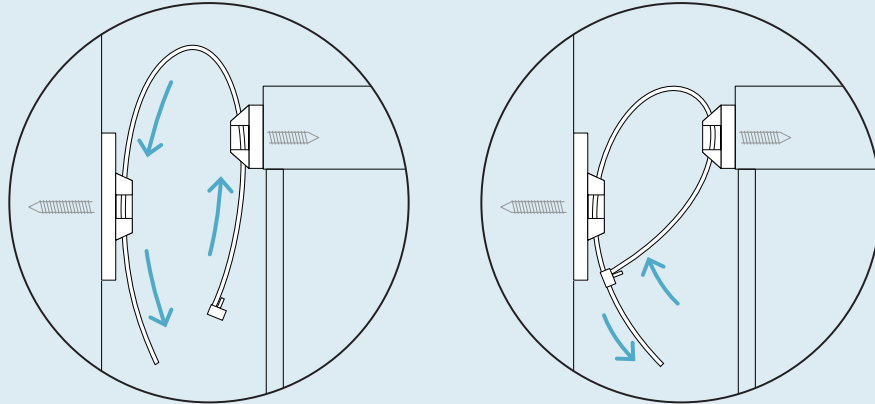


Step 06

SECURE THE CASE.

Install and tighten the strap prior to using the product.

Adjust leg glides to ensure that the case is level prior to using the product.

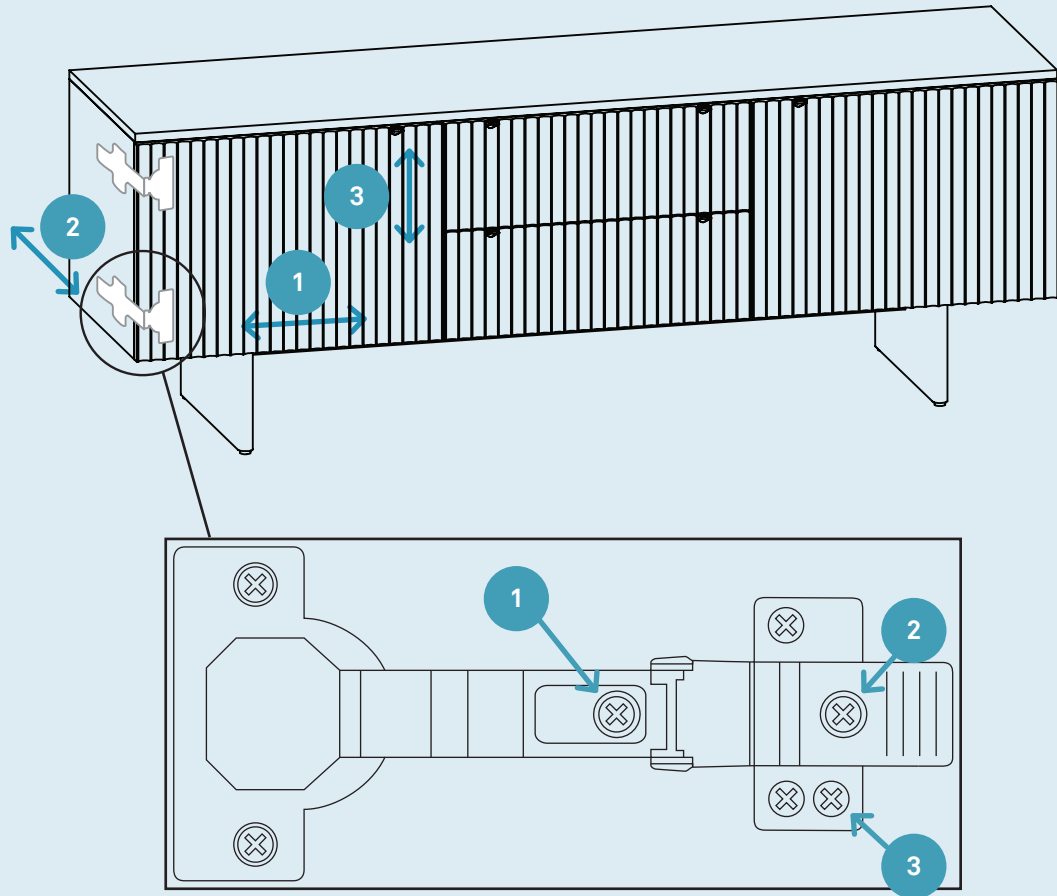


PT. 8042 x 2

Step 07

DOOR ADJUSTMENT.

Hinges work in pairs. If you adjust one hinge, chances are you will have to adjust all the hinges.



Additional Information

CLEAN

Clean with a slightly damp, soft cloth. To remove dirt and fingerprints, use quality cleaners formulated for wood furniture. Wipe completely dry with a soft cloth in the direction of the wood grain.

NOTE

Wood will expand and contract as seasonal humidity levels change. Keep humidity levels consistent to limit wood movement and prevent warping.

