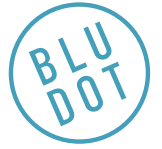
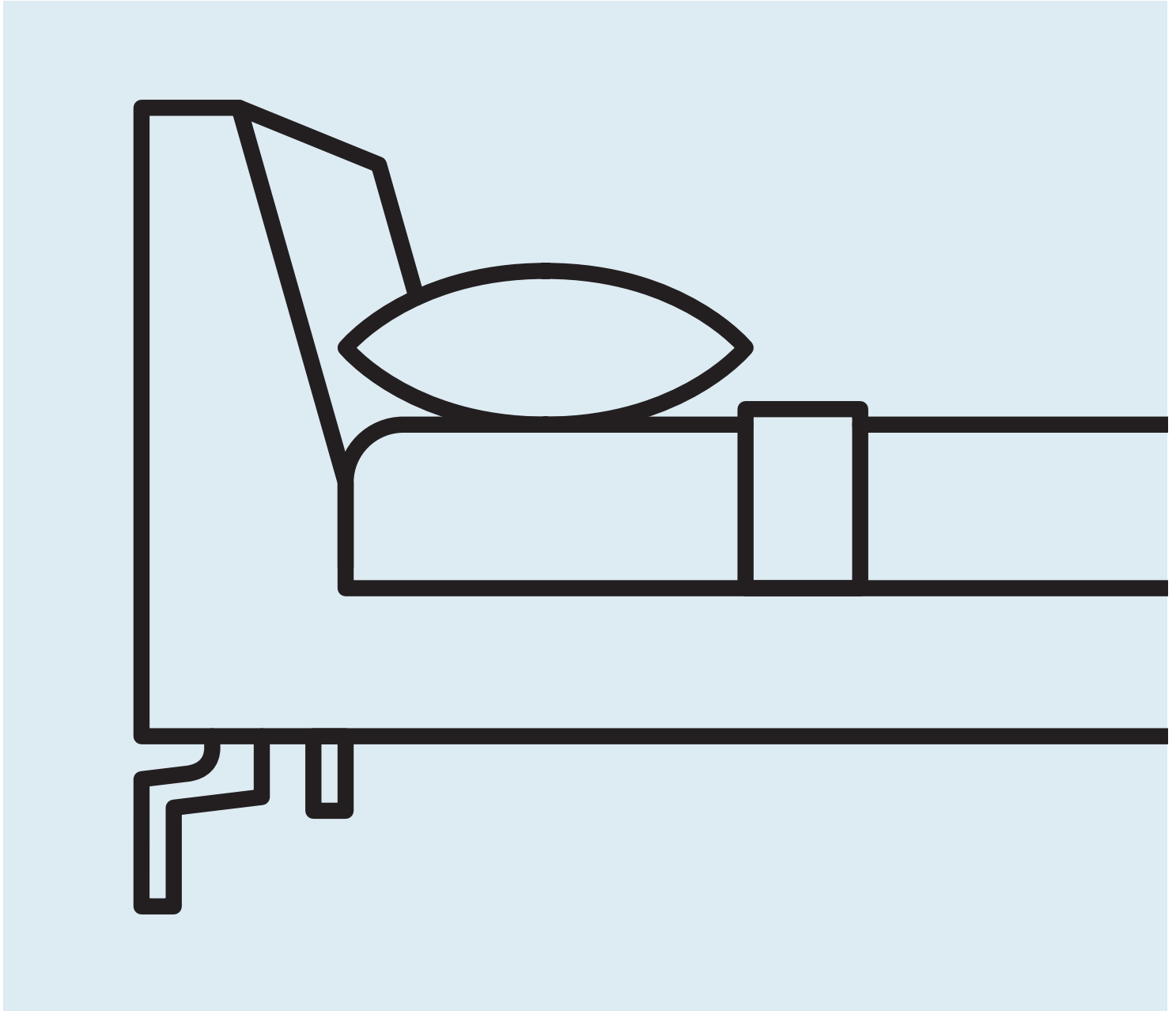


# New Standard Bed Collection



DESIGNED IN 2015

ASSEMBLY NOTES | REV 00



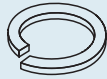
NEED A HAND?

Contact us at [service@bludot.com](mailto:service@bludot.com) or  
**844.425.8368** for assistance.

@BLUDOT

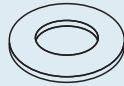
We design all our pieces in our Minneapolis studio. Follow  
along on Instagram for some sneak peeks into the process.

# Parts & Hardware



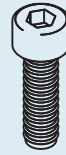
QTY 36\*

Pt. 3001



QTY 36\*

Pt. 3002



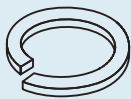
QTY 36\*

Pt. 1044



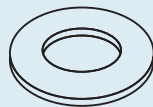
QTY 1

Pt. 9016



QTY 16

Pt. 3005



QTY 16

Pt. 3006



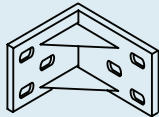
QTY 16

Pt. 1076



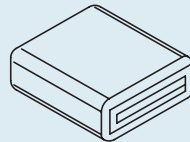
QTY 1

Pt. 9017



QTY 4

Corner Bracket



QTY 1

Slip Cover



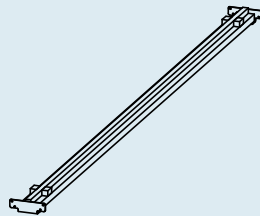
QTY 4

Corner Leg



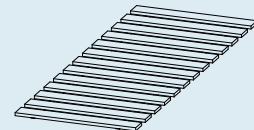
QTY 2\*

Center Leg



QTY 1\*

Center Rail

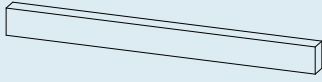


QTY 2\*

Slats

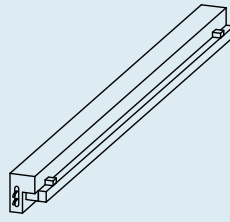
\*Twin bed size will come with reduced part quantities.

# Parts & Hardware



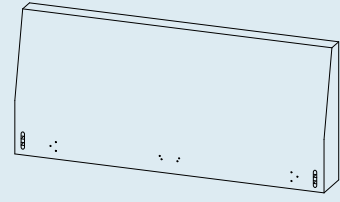
QTY 1

Footboard



QTY 2

Side Rail



QTY 1

Headboard

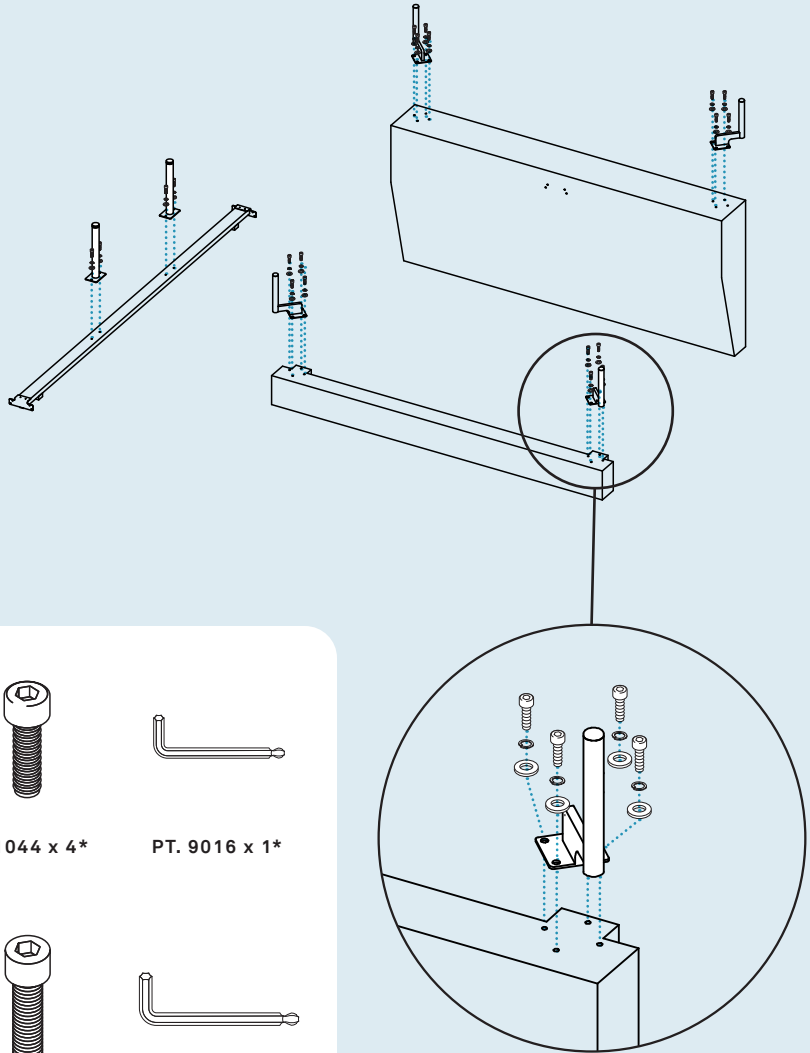
## Step 01

### INSTALL LEGS.

Assemble the bed on a soft, clean surface with the assistance of another individual.

Attach legs to headboard, footboard, and center rail by threading them into place as shown.

**Note:** Twin beds will not have a center rail/legs.



Center Leg hardware



PT. 3001 x 4\*



PT. 3002 x 4\*



PT. 1044 x 4\*



PT. 9016 x 1\*

Corner Leg hardware



PT. 3005 x 16



PT. 3006 x 16



PT. 1076 x 16

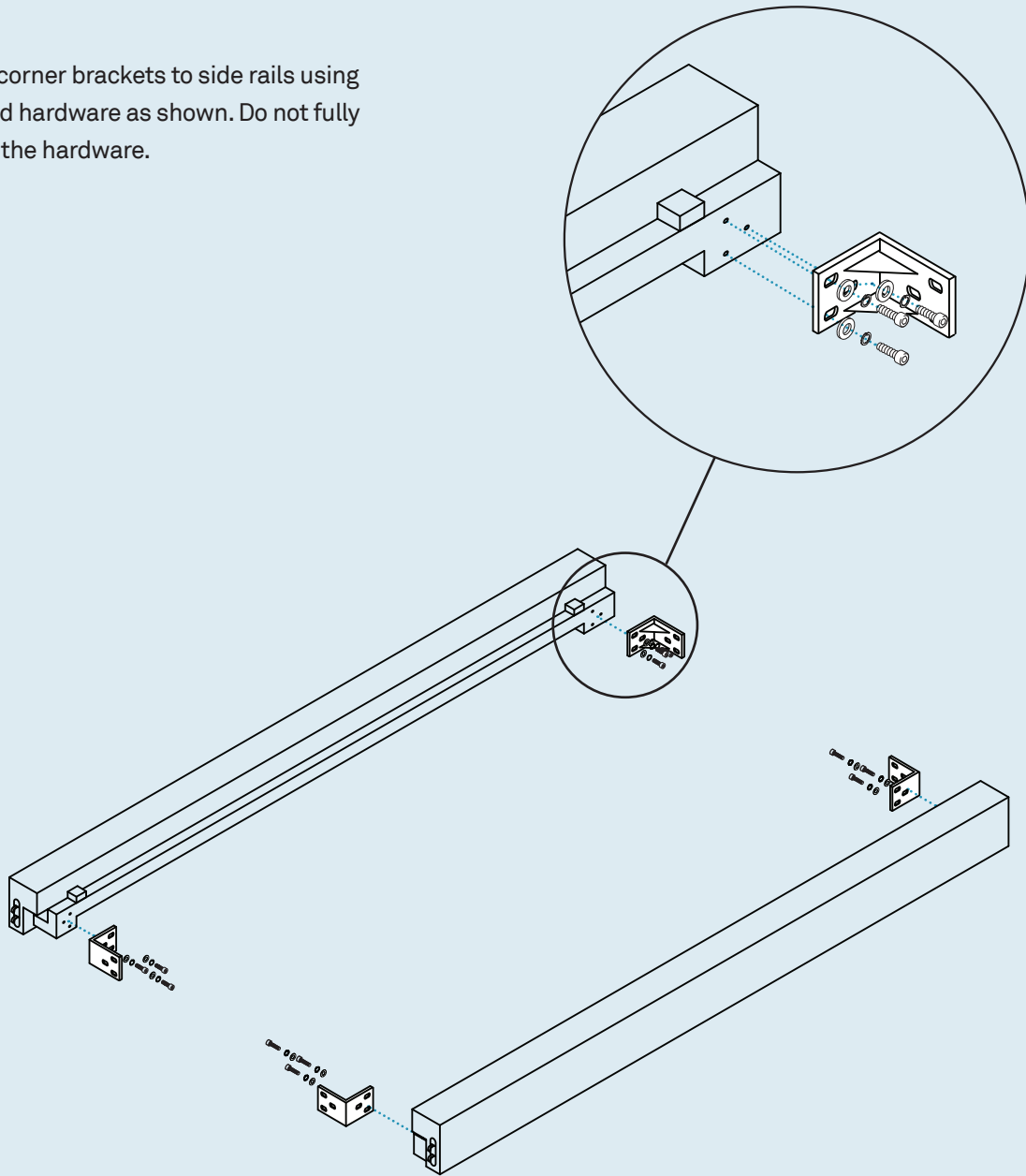


PT. 9017 x 1

# Step 02

## ATTACH CORNER BRACKETS.

Attach corner brackets to side rails using provided hardware as shown. Do not fully tighten the hardware.



PT. 3001 x 12



PT. 3002 x 12



PT. 1044 x 12

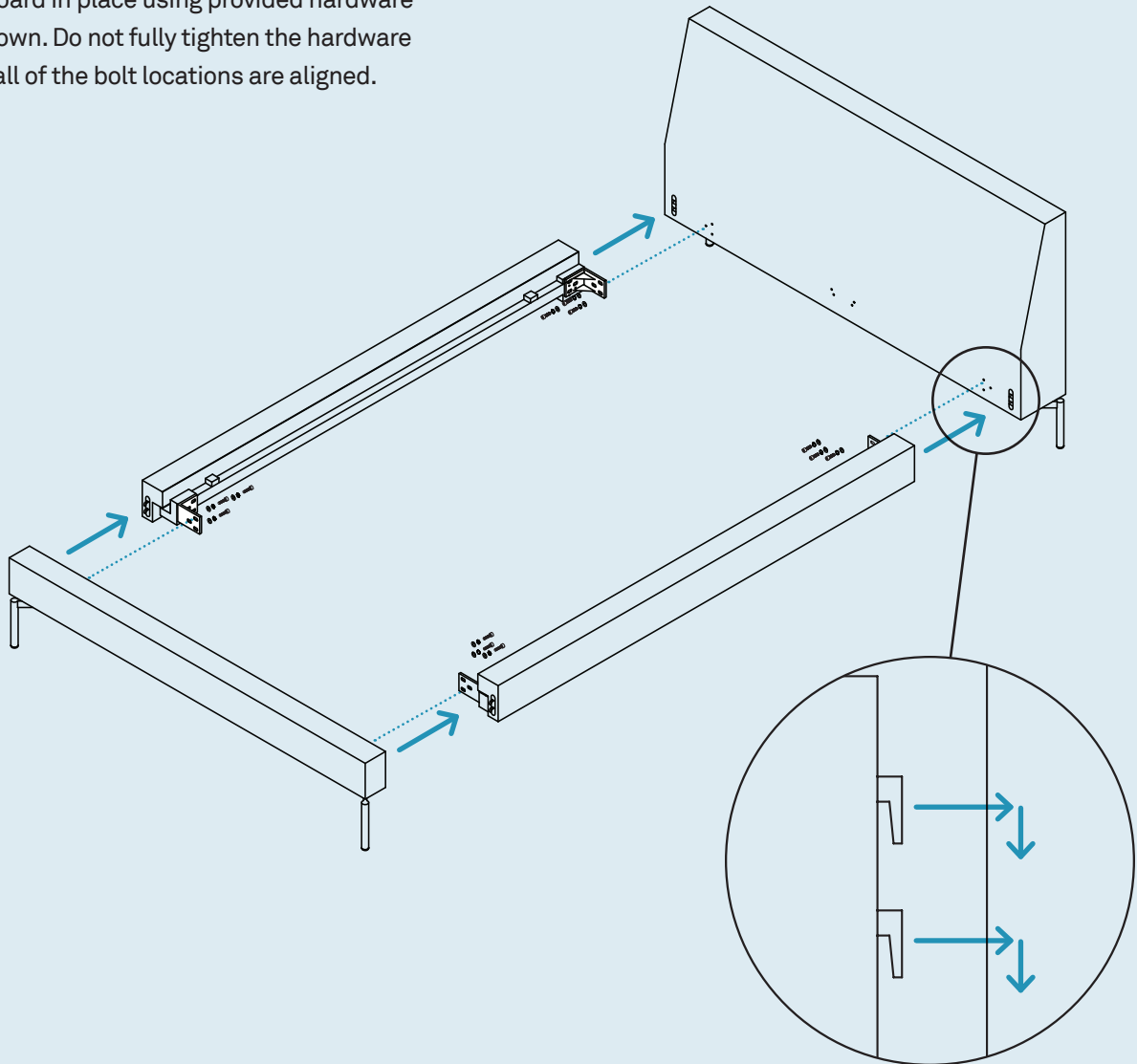


PT. 9016 x 1

# Step 03

## ATTACH HEADBOARD AND FOOTBOARD.

Carefully align and push down on side rails to engage hooks into headboard and footboard. Secure headboard and footboard in place using provided hardware as shown. Do not fully tighten the hardware until all of the bolt locations are aligned.



PT. 3001 x 12



PT. 3002 x 12



PT. 1044 x 12



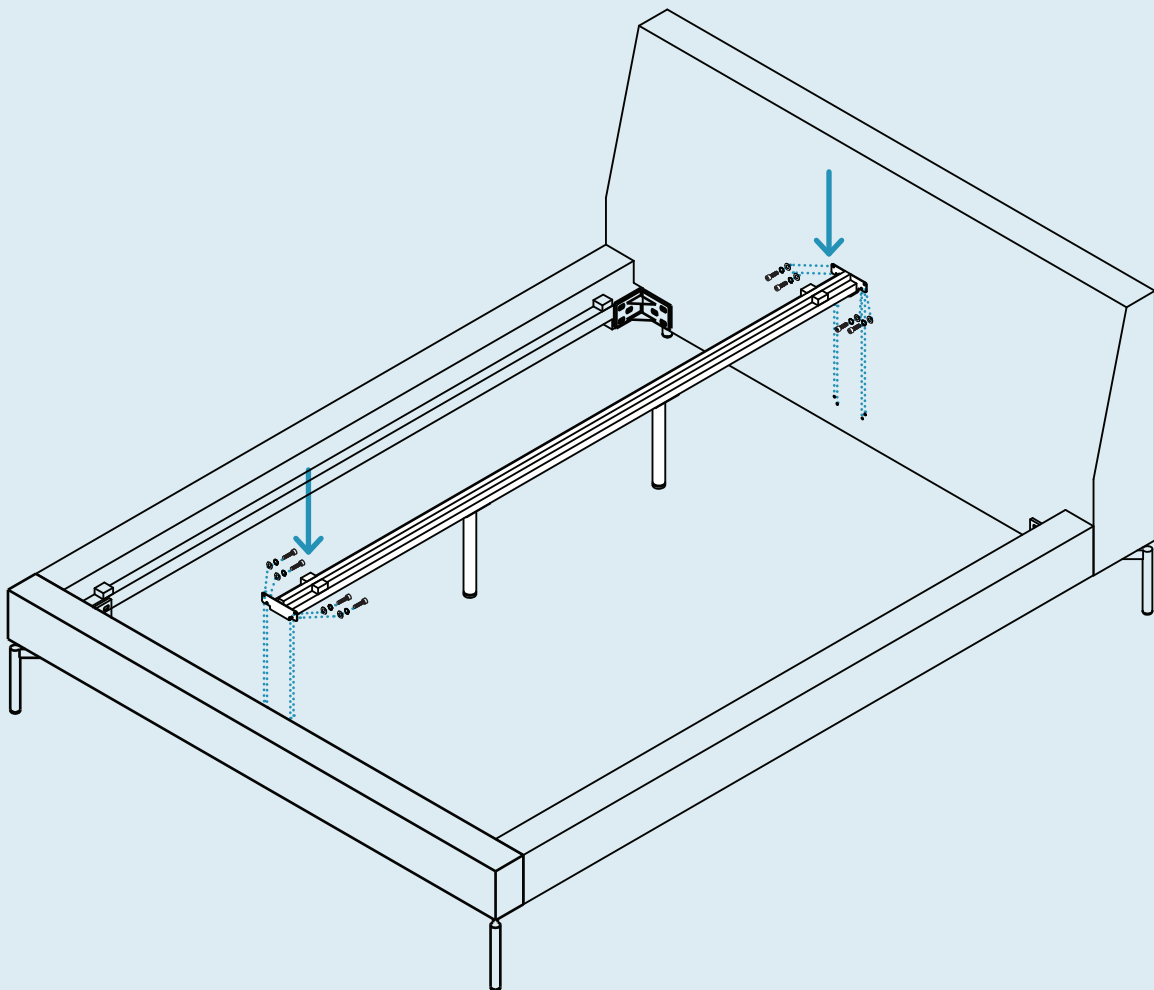
PT. 9016 x 1

# Step 04

## ATTACH CENTER RAIL.

Attach center rail to headboard and footboard using provided hardware as shown.

**Note:** Twin beds will not have a center rail/legs.



PT. 3001 x 8\*



PT. 3002 x 8\*



PT. 1044 x 8\*



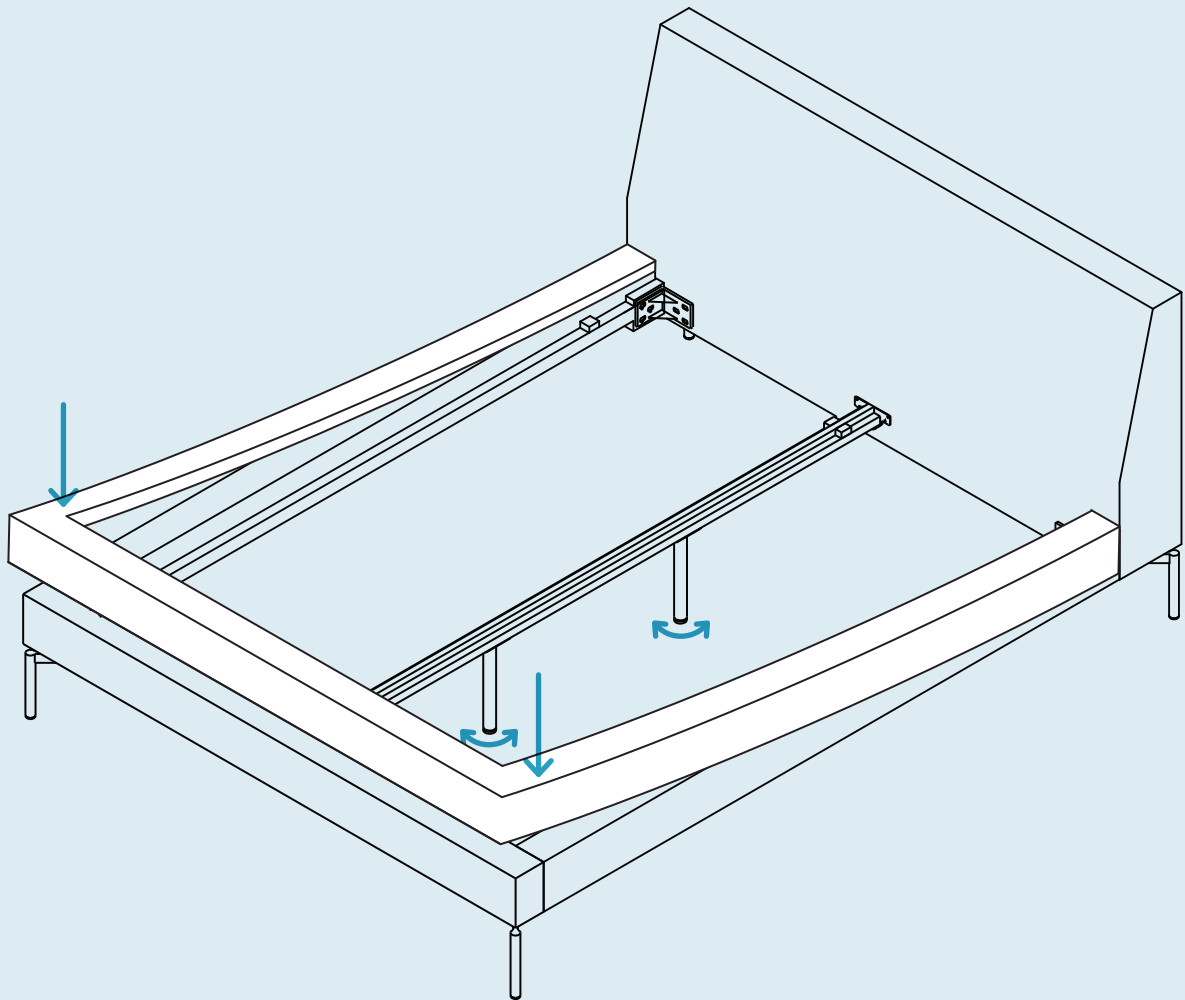
PT. 9016 x 1

## Step 05

### ATTACH SLIP COVER.

Starting at headboard, secure hook and loop fasteners between side frame rails and headboard. Continue toward footboard keeping edges smooth and in line with frame edges.

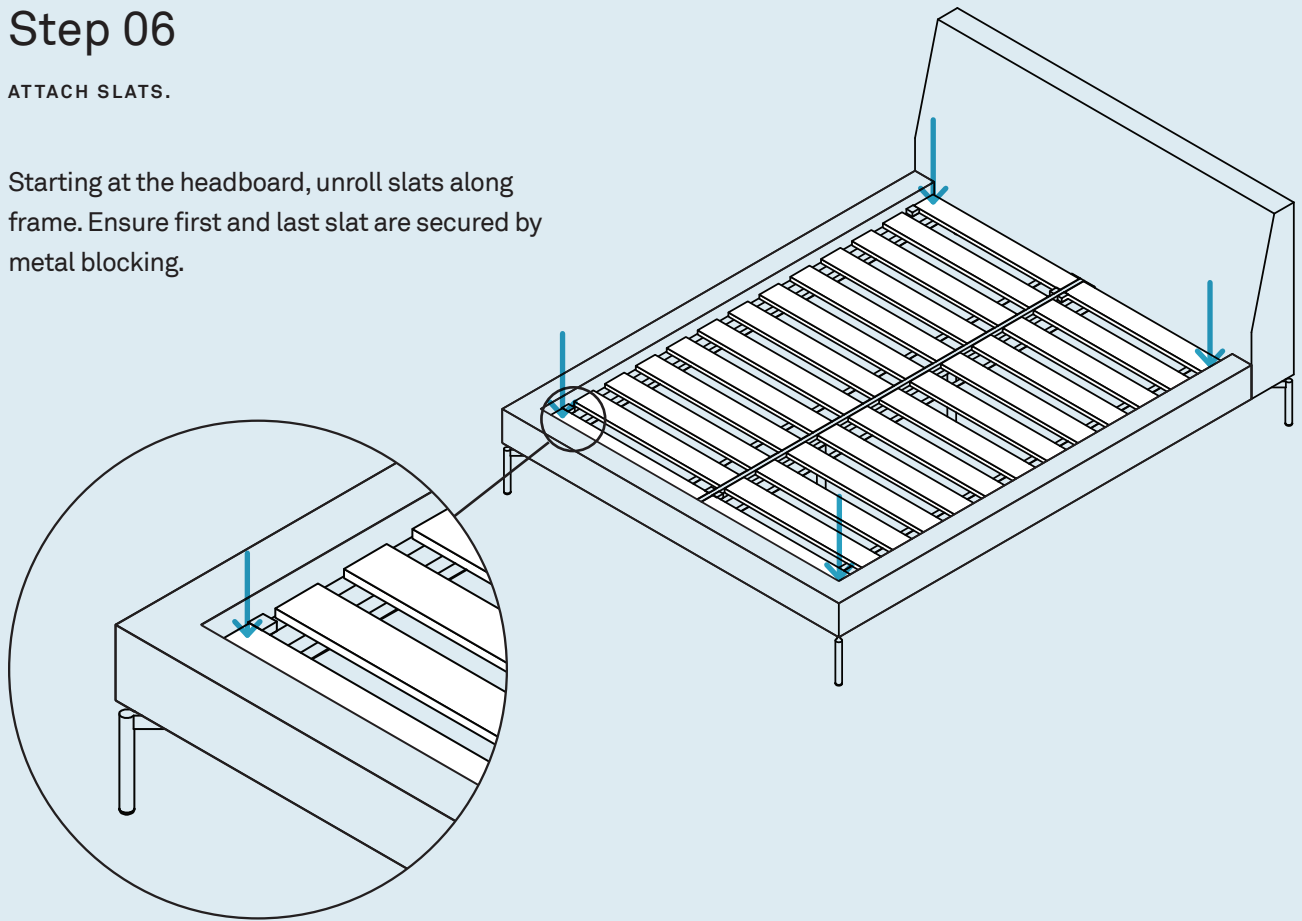
Turn adjustable glides on center legs clockwise or counterclockwise as needed to level bed.



## Step 06

### ATTACH SLATS.

Starting at the headboard, unroll slats along frame. Ensure first and last slat are secured by metal blocking.



## Additional Information

### CLEAN

Vacuum your upholstery regularly.

### SPILLS

Act quickly with spills. Absorb the spill with a clean white cloth or paper towel. Never rub the surface. Do not use water or other liquids to clean, as they may stain the fabric. Consult a commercial cleaning specialist for removal of stubborn stains.

### AVOID

Keep upholstery & felt furniture out of direct sunlight and away from heat sources; excessive exposure to sunlight may fade the color of the upholstery. Avoid placing heavy or sharp objects on the furniture surface for long periods of time; this can cause permanent indentations in the fabric. For snags in the fabric, tuck loose threads into fabric or carefully push to reverse side. Never pull out or cut off loose threads.

