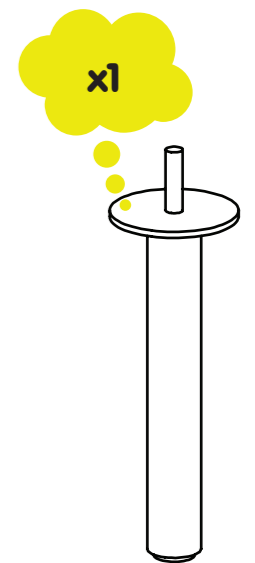
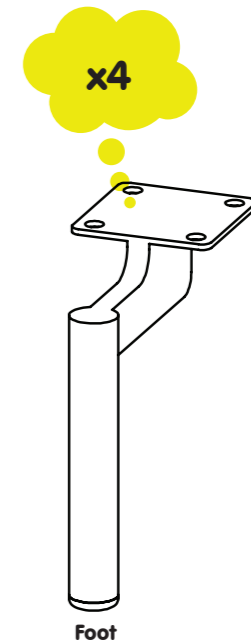
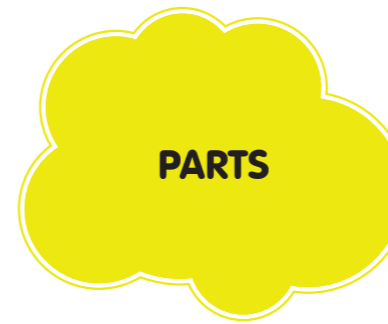


BLU
DOT

THE NEW STANDARD

SECTIONAL ASSEMBLY NOTES

MODERN
CONNECTIONS
MADE EASY



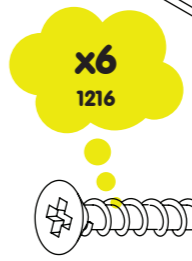
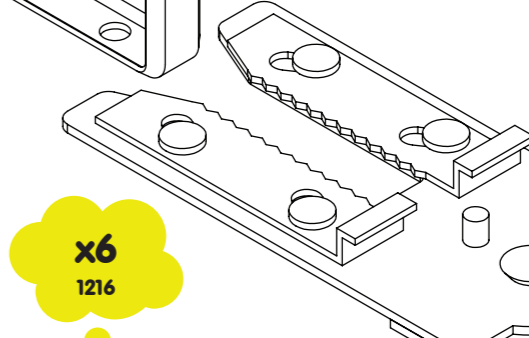
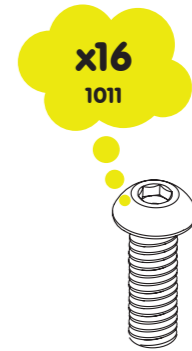
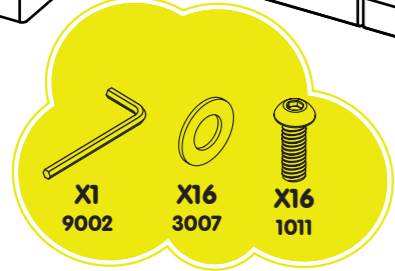
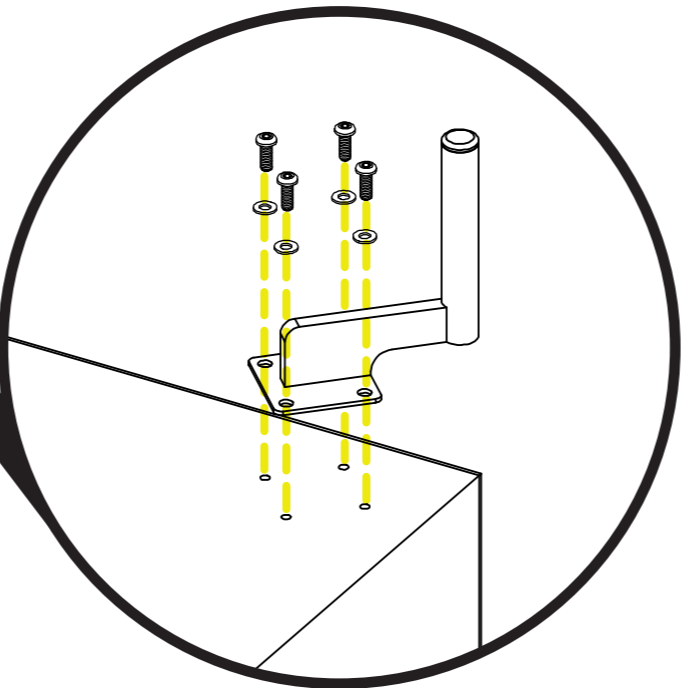
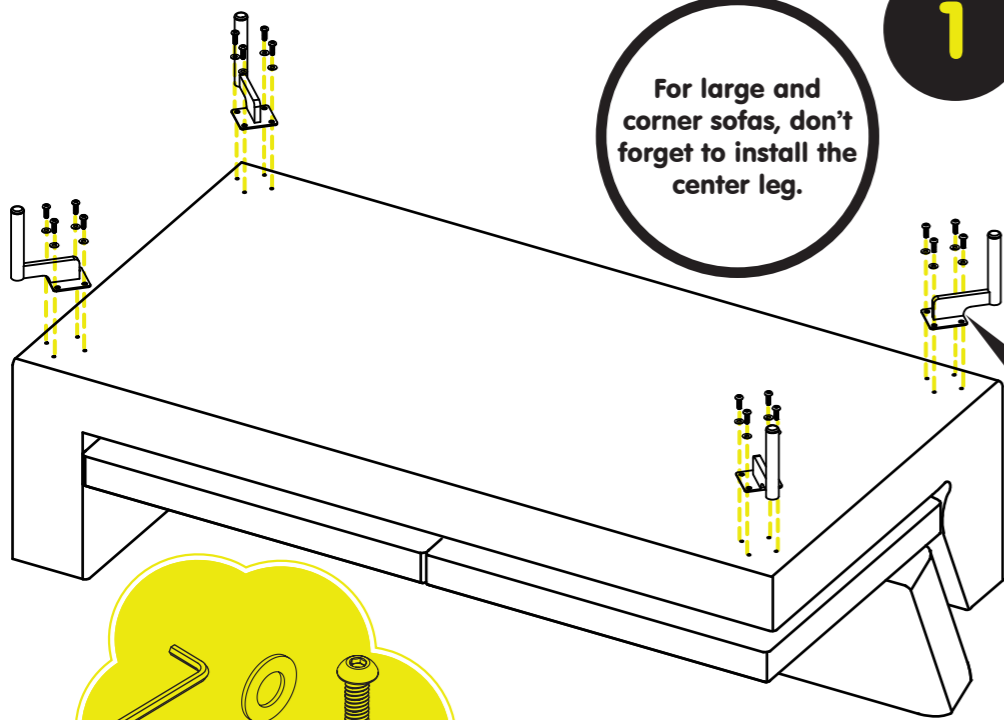
Foot

Center Foot
*for large and
corner sofa only

Sofa

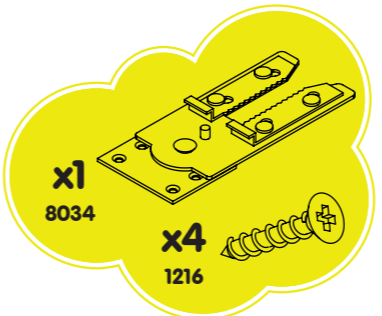
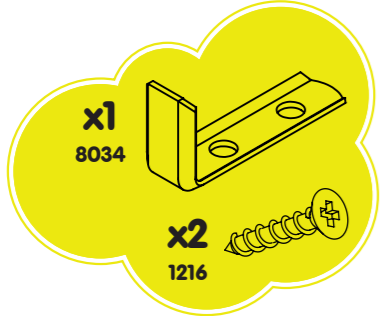
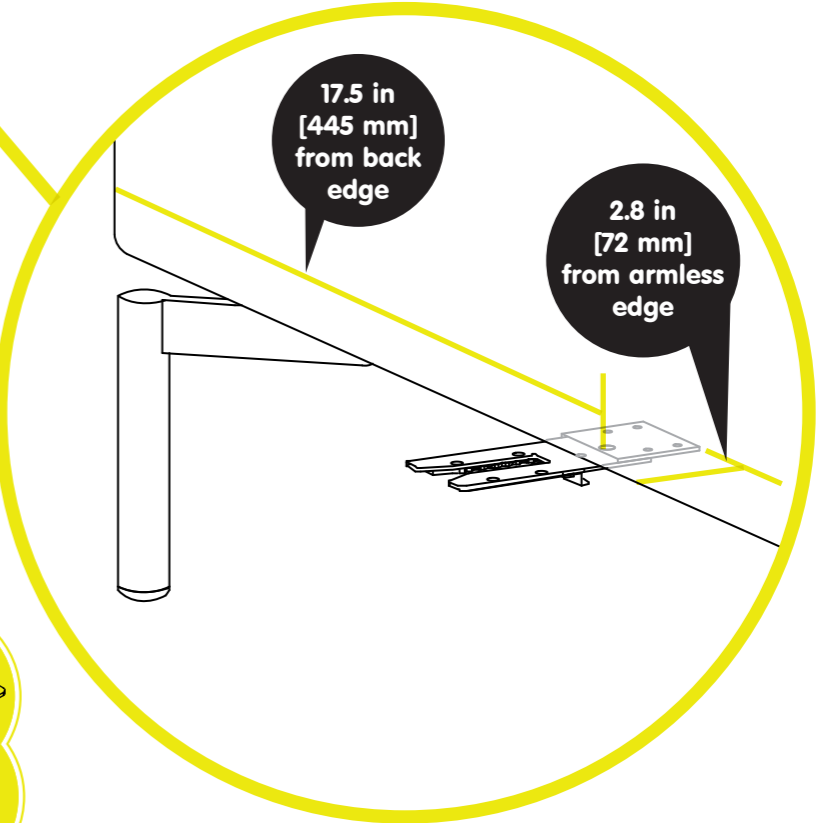
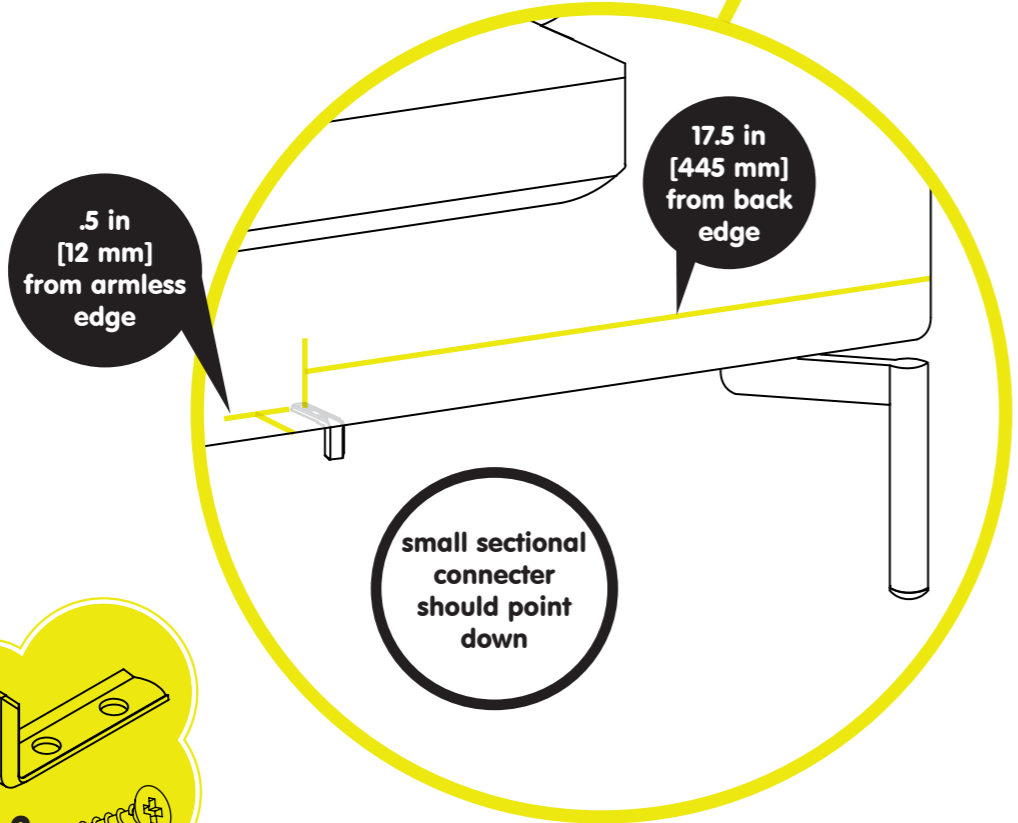
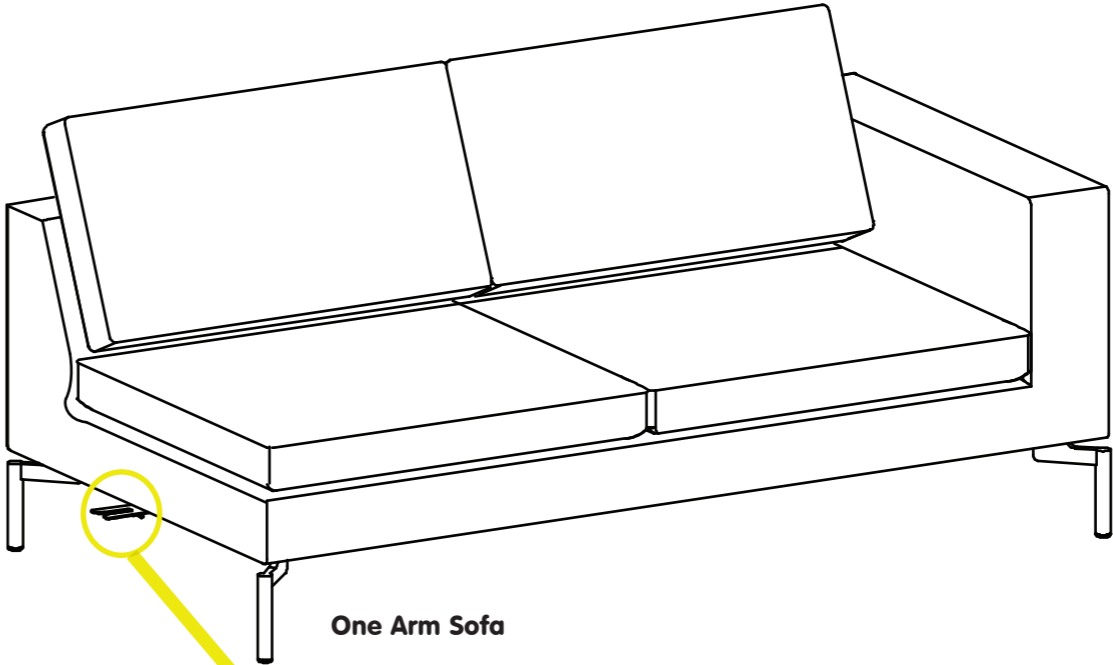
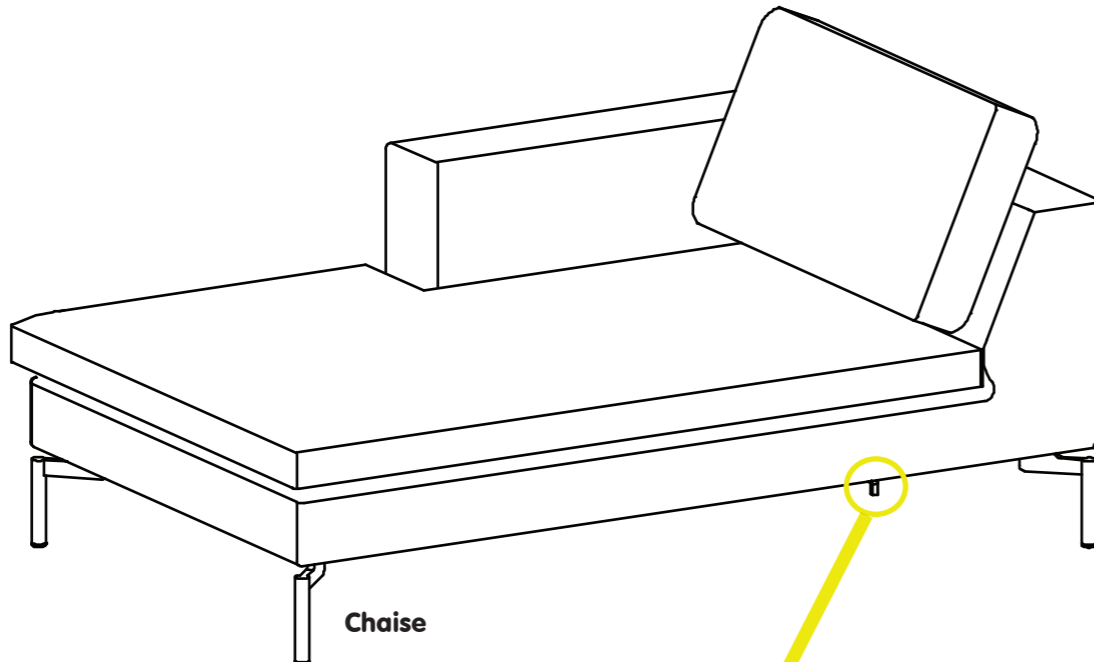
1

For large and
corner sofas, don't
forget to install the
center leg.

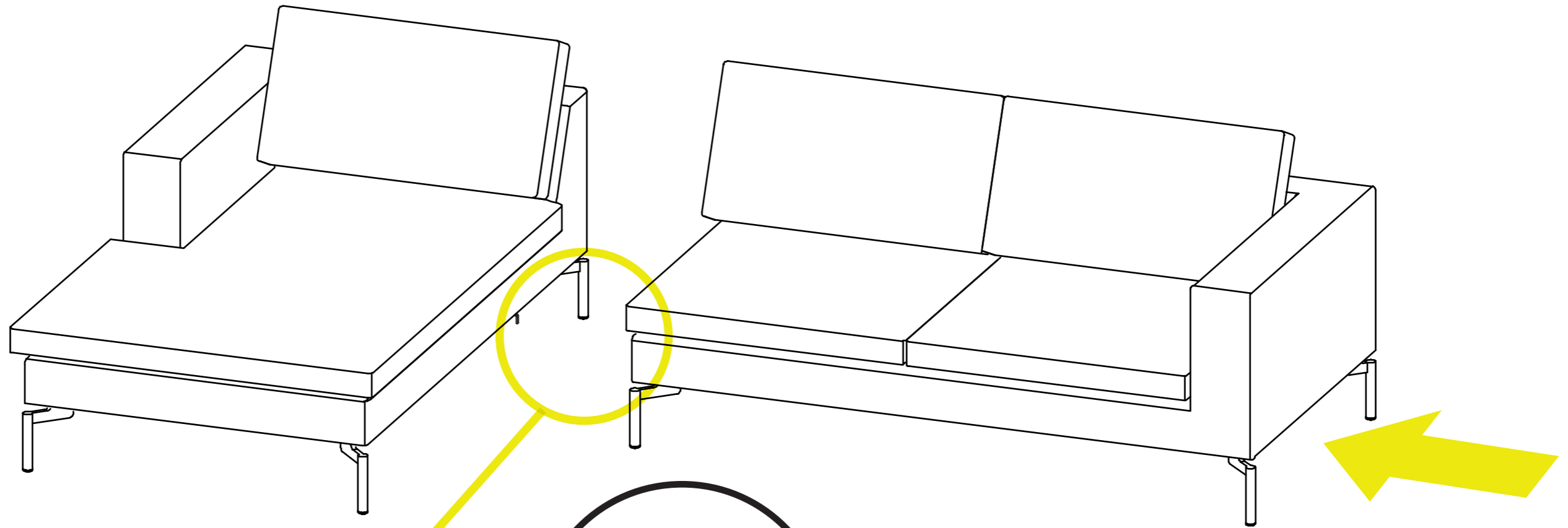


Large

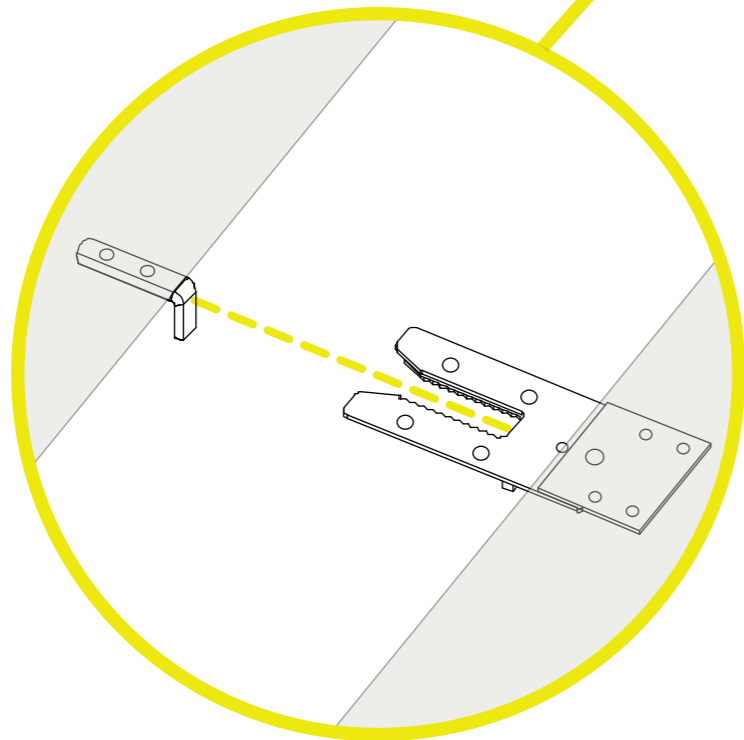
2



3



With back sides aligned, carefully slide One Armed Sofa against Chaise. Make sure sectional connector latches for a secure placement.





UPHOLSTERY CARE

KEEP IT CLEAN, JIMMY!

CARE
Vacuum your upholstery regularly. Also, cushions should be flipped, rotated, and fluffed regularly to ensure cushions retain original volume and look.

AVOID
Keep upholstery furniture out of direct sunlight and away from heat sources; excessive exposure to sunlight will fade the color of the upholstery. Avoid placing heavy or sharp objects on the furniture surface for long periods of time; this can cause permanent indentations in the fabric. For snags in the fabric, tuck loose threads into fabric or carefully push to reverse side. Never pull out or cut off loose threads.

SPILLS
Act quickly with spills. Absorb the spill with a clean white cloth or paper towel. Never rub the surface. Spot clean with dry cleaning fluid. Do not use water or other liquids to clean, as they may stain the fabric. Consult a commercial cleaning specialist for removal of stubborn stains.