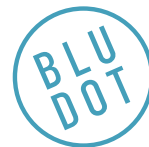
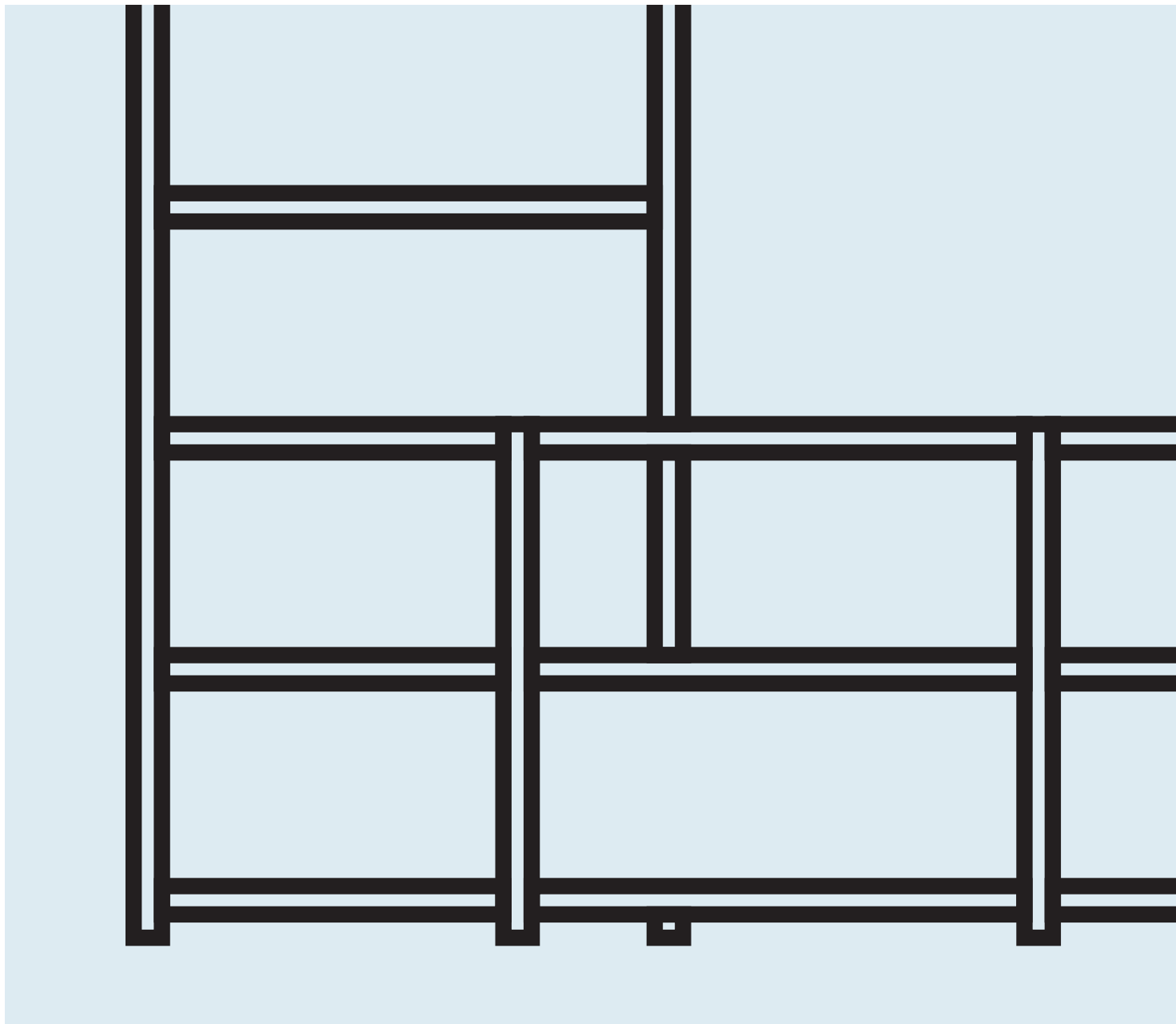


# Open Plan Coffee Table



DESIGNED IN 2020

ASSEMBLY NOTES | REV 00



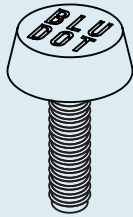
NEED A HAND?

Contact us at [service@bludot.com](mailto:service@bludot.com) or  
**844.425.8368** for assistance.

@BLUDOT

We design all our pieces in our Minneapolis studio. Follow  
along on Instagram for some sneak peeks into the process.

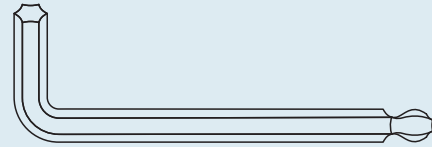
# Parts & Hardware



QTY 8

---

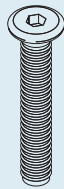
Pt. 4022



QTY 1

---

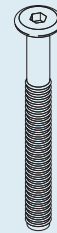
Pt. 9016



QTY 8

---

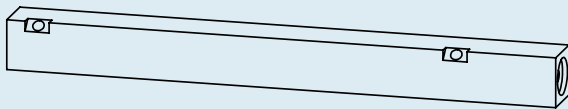
Pt. 1693



QTY 8

---

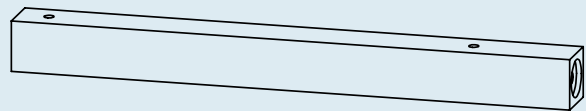
Pt. 1690



QTY 4

---

Corner Upright

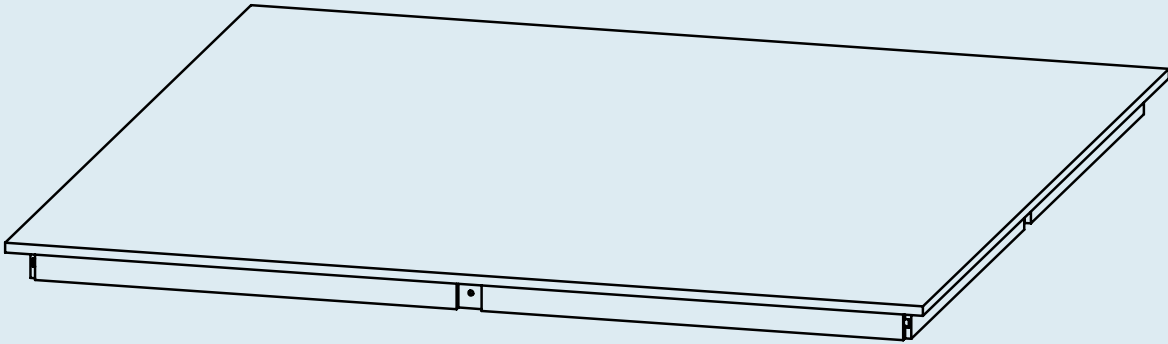


QTY 4

---

Center Upright

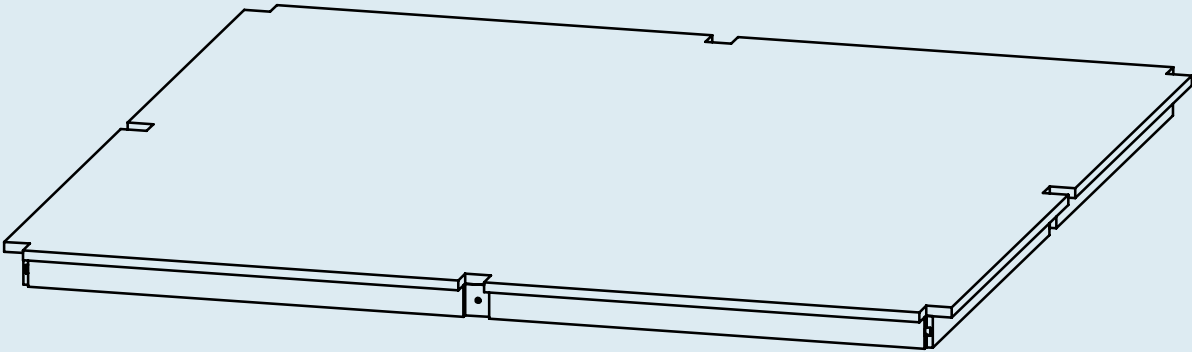
# Parts & Hardware



QTY

1

Top Panel



QTY

1

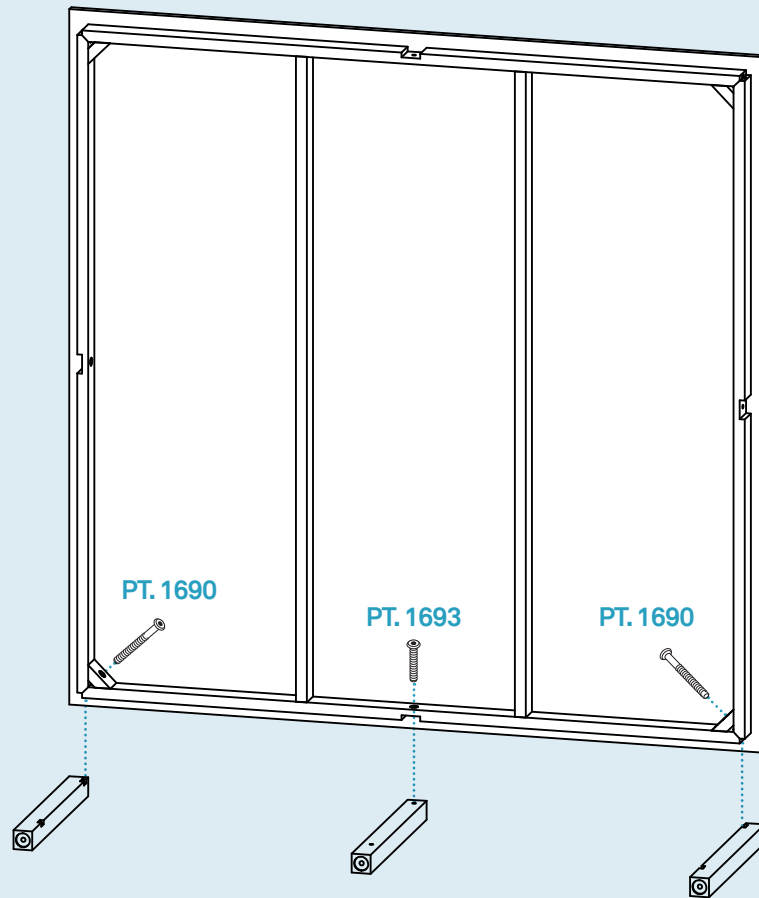
Bottom Panel

# Step 01

ATTACH TOP PANEL TO UPRIGHTS.

Assemble this product on a soft, clean surface with the assistance of another individual.

Attach the top panel to the uprights using the provided hardware as shown.



PT. 1690 x 2



PT. 1693 x 1

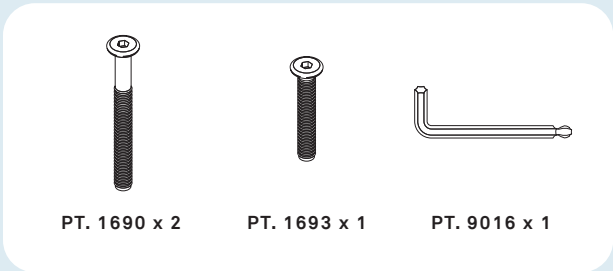
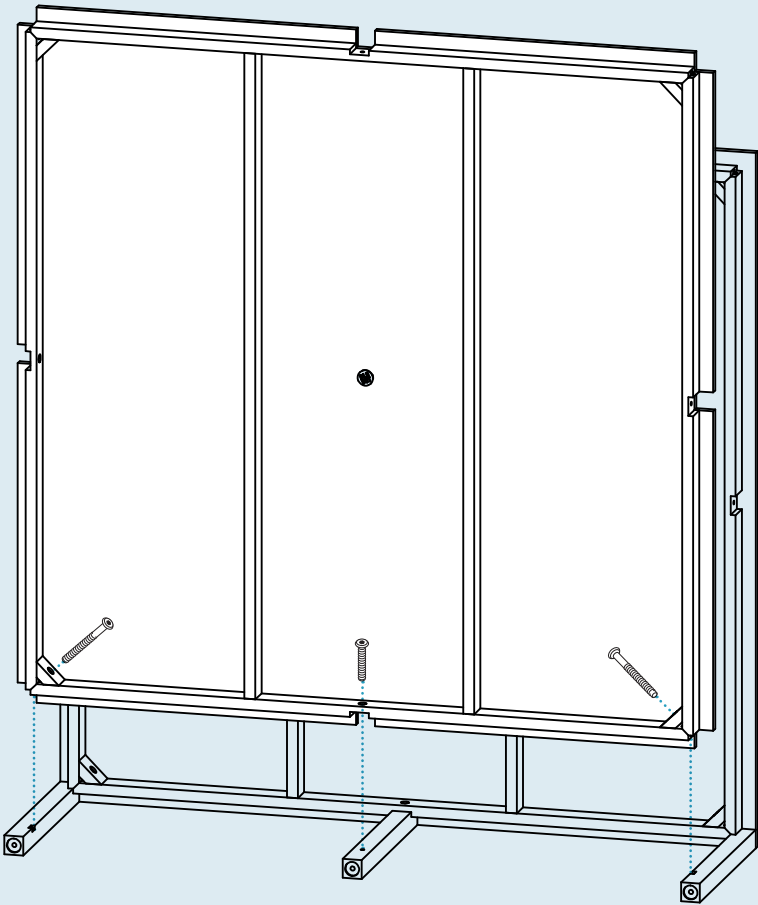


PT. 9016 x 1

# Step 02

## ATTACH BOTTOM PANEL.

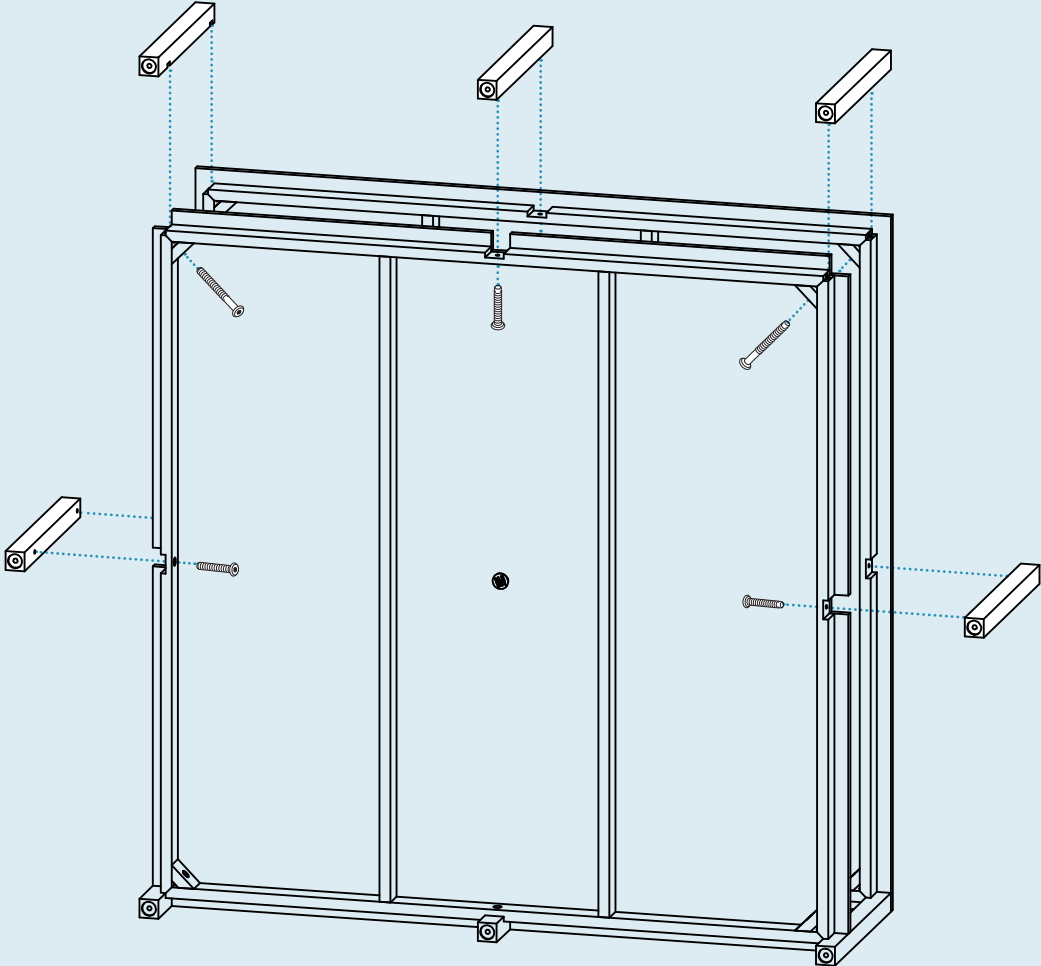
Attach the bottom panel to the uprights using the provided hardware as shown.



# Step 03

ATTACH REMAINING UPRIGHTS.

Attach the remaining uprights using the provided hardware as shown.

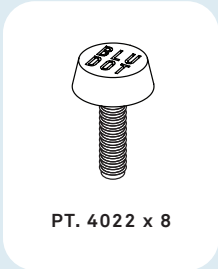
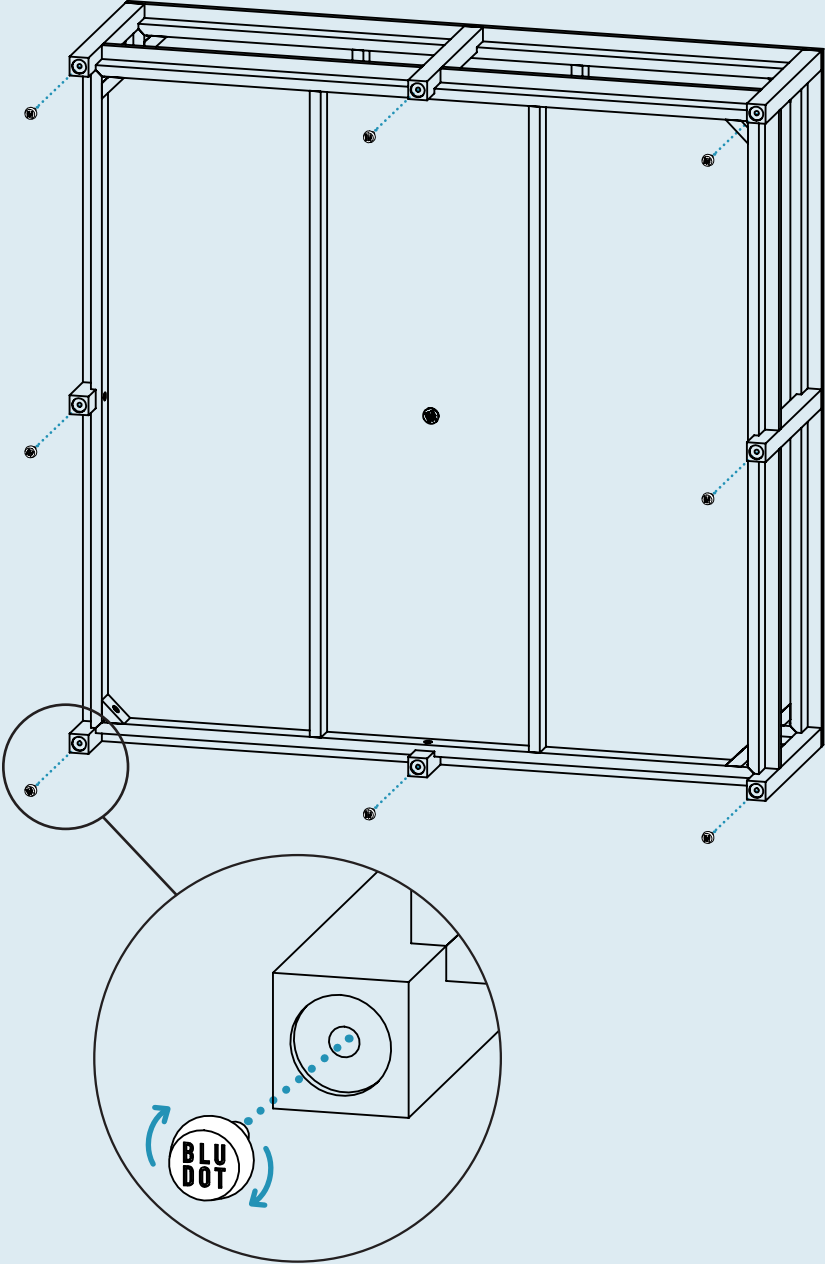


PT. 1690 x 4      PT. 1693 x 6      PT. 9016 x 1

# Step 04

## INSTALL ADJUSTABLE GLIDES.

Install adjustable glides to the bottom of the uprights as shown. Ensure that the uprights are level prior to using the product.



PT. 4022 x 8

## Additional Information

### CLEAN

Clean with a slightly damp, soft cloth. To remove dirt and fingerprints, use quality cleaners formulated for wood furniture. Wipe completely dry with a soft cloth in the direction of the wood grain.

