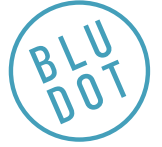


Peek Collection



DESIGNED IN 2016

ASSEMBLY NOTES | REV 02



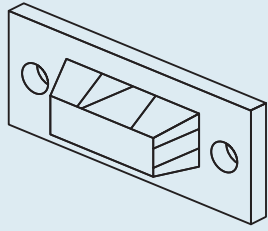
NEED A HAND?

Contact us at service@bludot.com or
844.425.8368 for assistance.

@BLUDOT

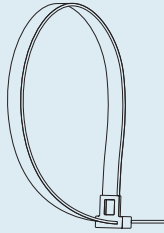
We design all our pieces in our Minneapolis studio. Follow
along on Instagram for some sneak peeks into the process.

Parts & Hardware



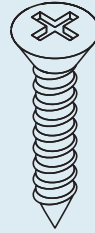
QTY 2

Pt. 8041



QTY 1

Pt. 8042



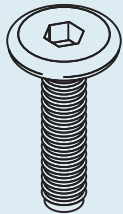
QTY 2

Pt. 1217



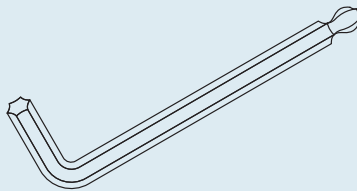
QTY 2

Pt. 1218



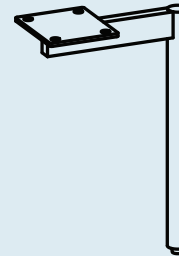
QTY 16

Pt. 1616



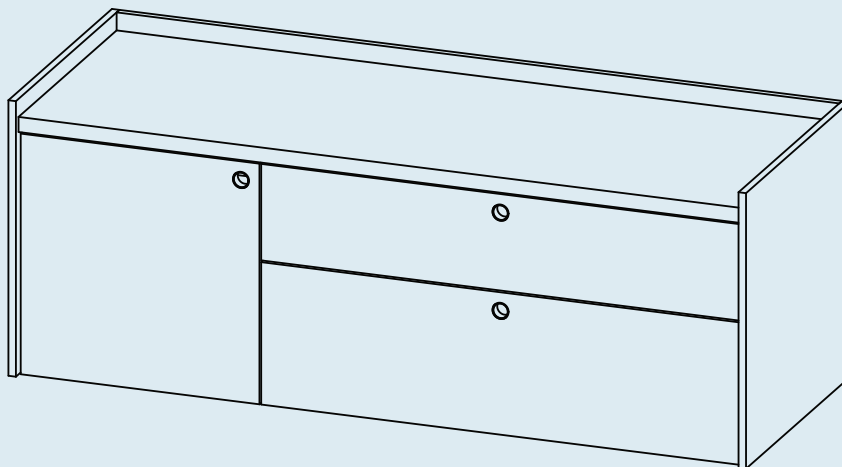
QTY 1

Pt. 9021



QTY 4

Leg



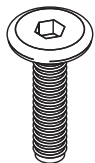
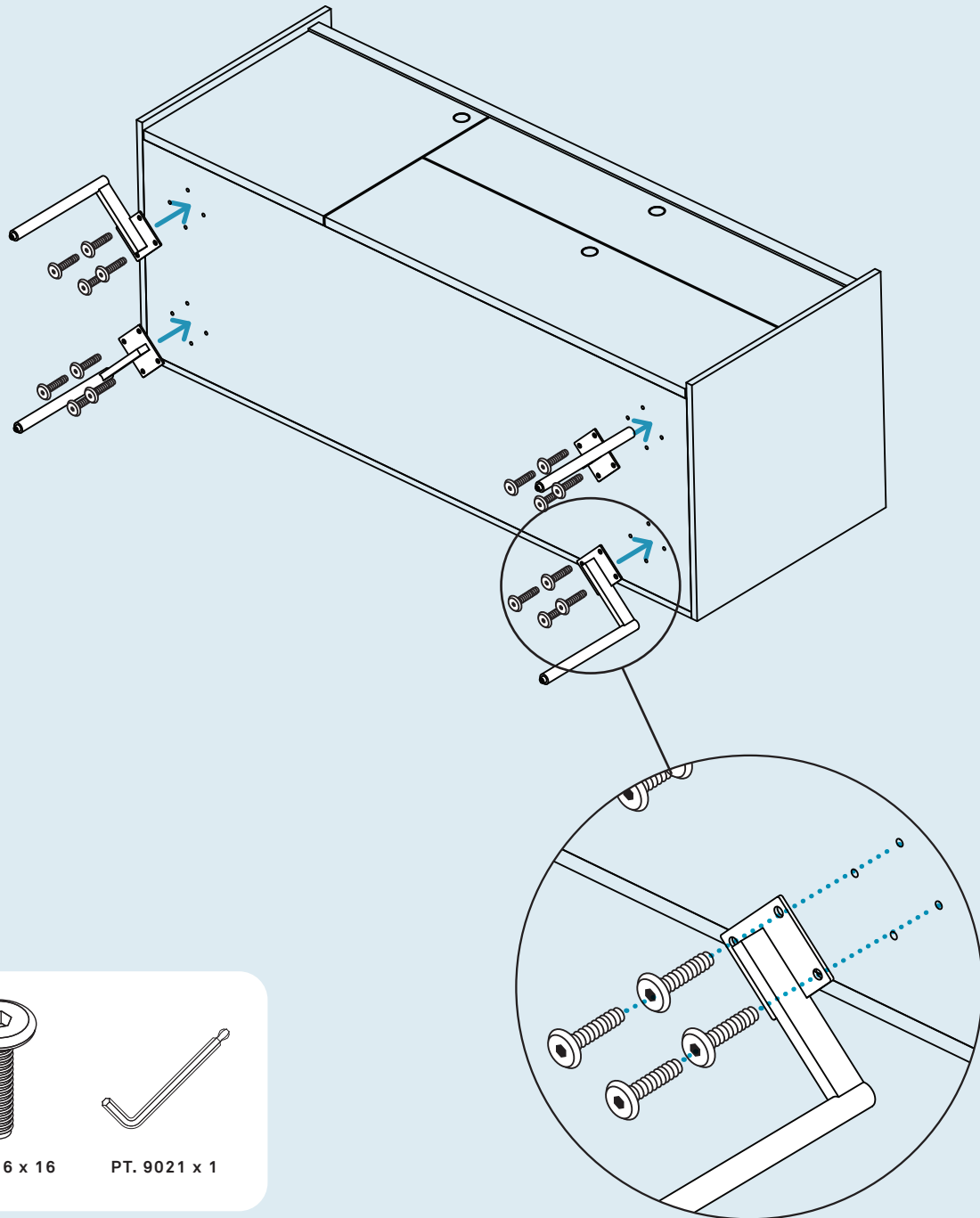
QTY 1

Case

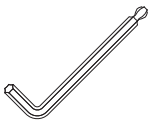
Step 01

ATTACH THE LEGS.

After the legs have been attached, have a second person help lift and bring the case upright in order to prevent leg damage.



PT. 1616 x 16

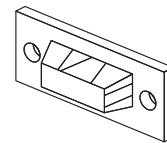
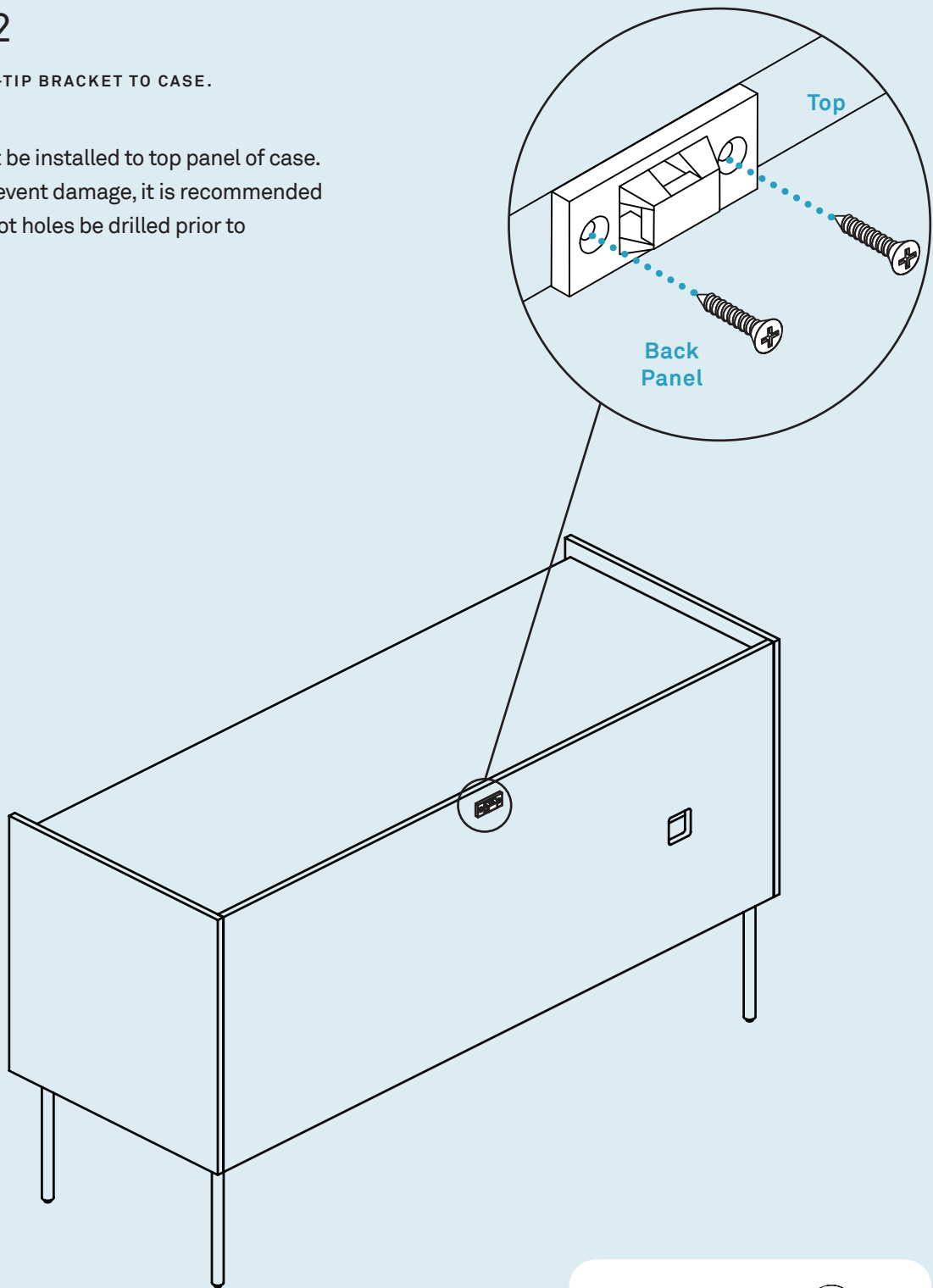


PT. 9021 x 1

Step 02

INSTALL ANTI-TIP BRACKET TO CASE.

Bracket must be installed to top panel of case. In order to prevent damage, it is recommended that 3/32" pilot holes be drilled prior to installation.



PT. 8041 x 1

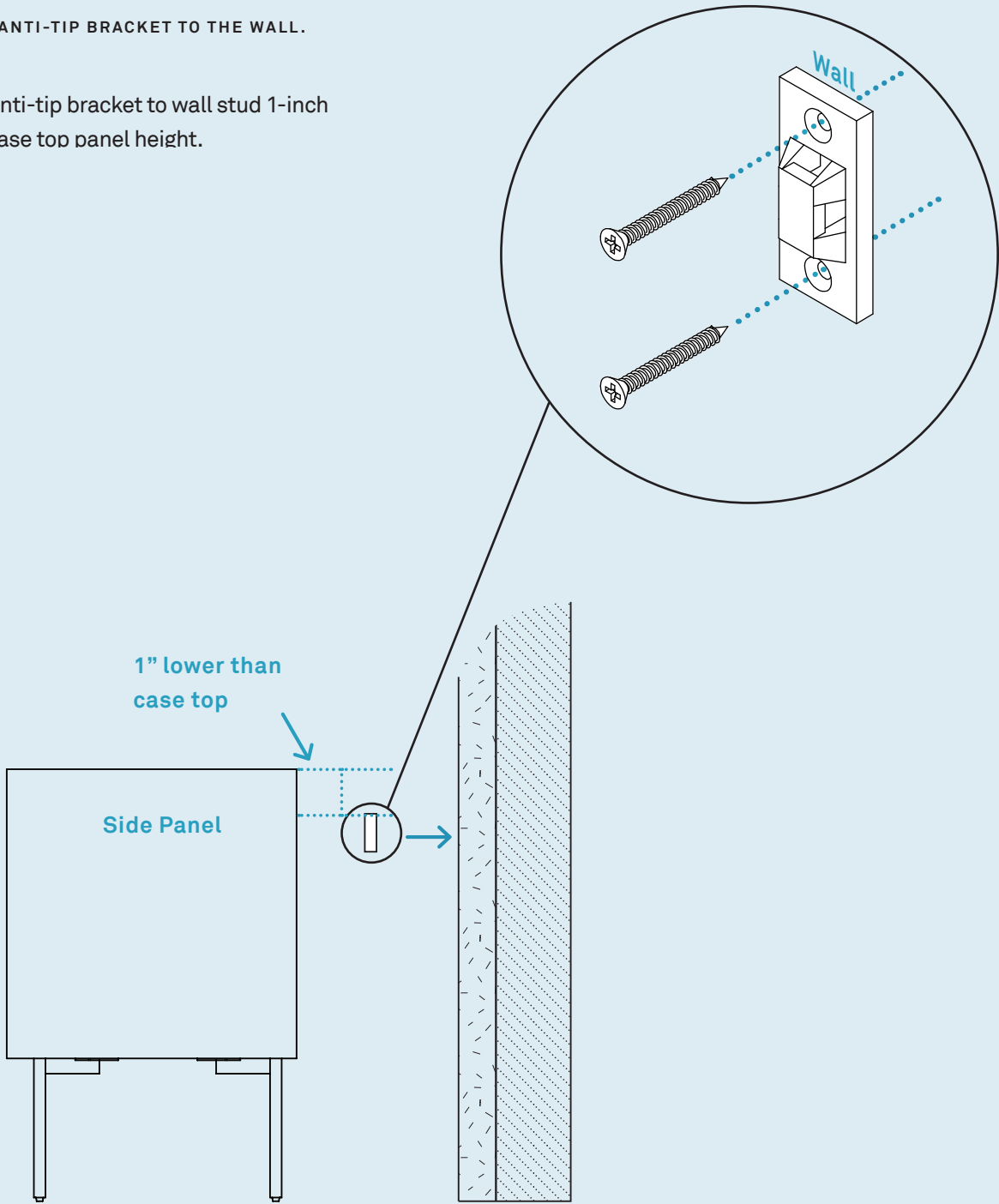


PT. 1218 x 2

Step 03

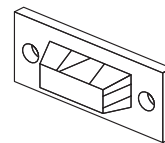
ATTACH ANTI-TIP BRACKET TO THE WALL.

Install anti-tip bracket to wall stud 1-inch below case top panel height.



1" lower than case top

Side Panel



PT. 8041 x 1



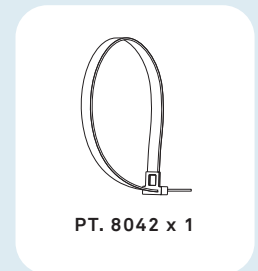
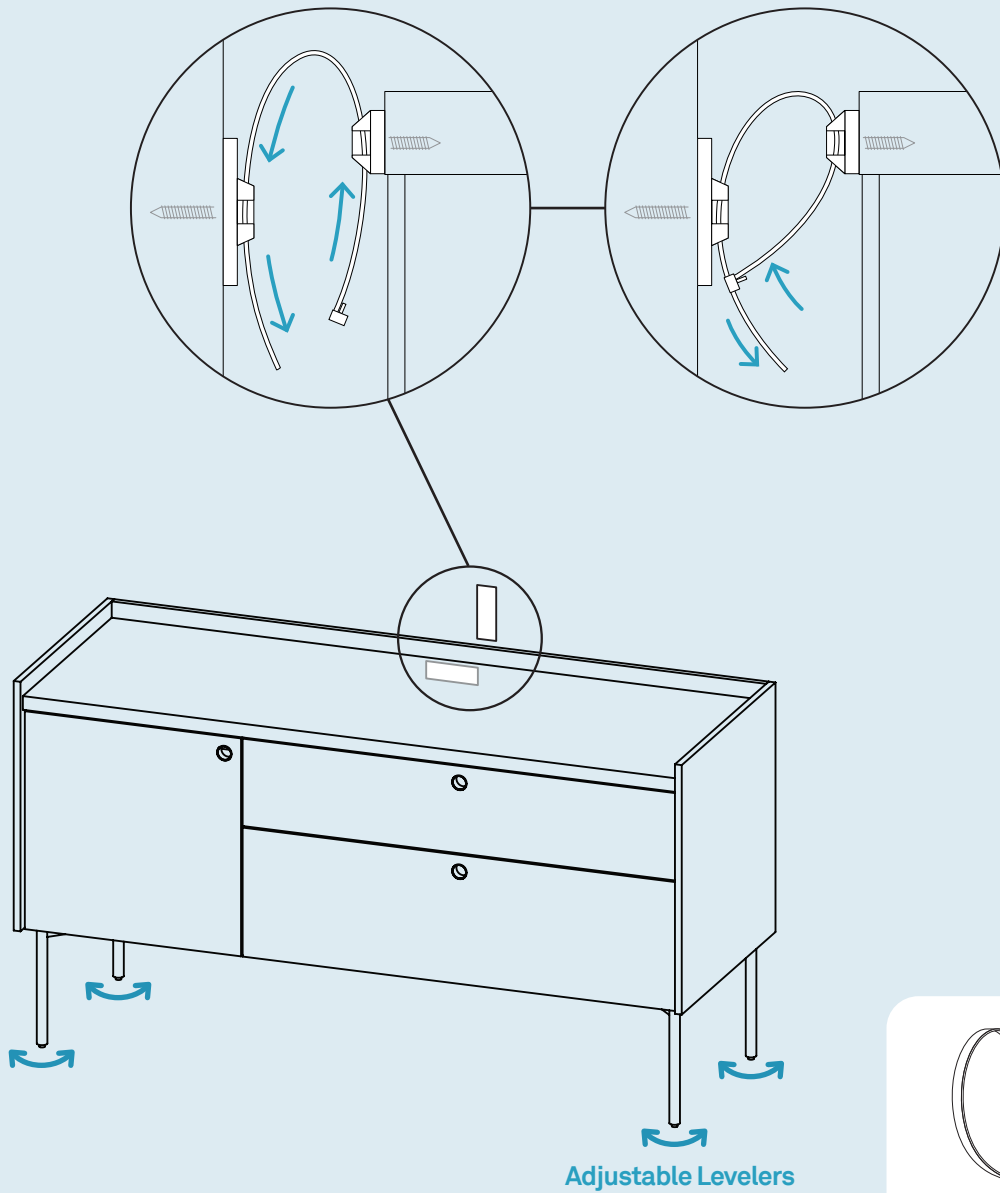
PT. 1218 x 2

Step 04

SECURE THE CASE.

Install and tighten the strap prior to using the product.

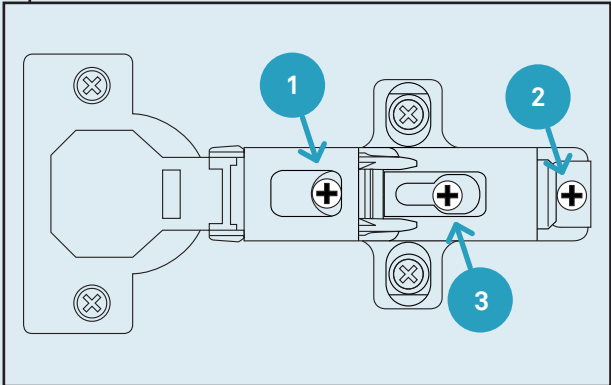
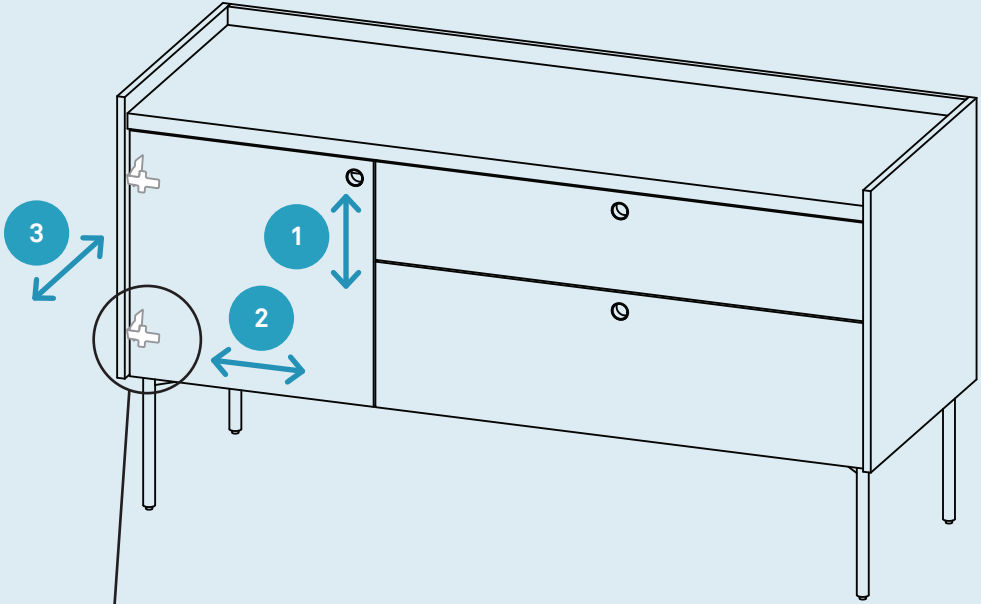
Level product by fully retracting the adjustable levelers to create the lowest possible height. Then unthread the levelers as needed to make even contact with the floor.



Additional Information

DOOR ADJUSTMENT.

Hinges work in pairs. If you adjust one hinge, chances are you will have to adjust all the hinges.



If door needs adjustment from TOP TO BOTTOM, Use Screw #1.

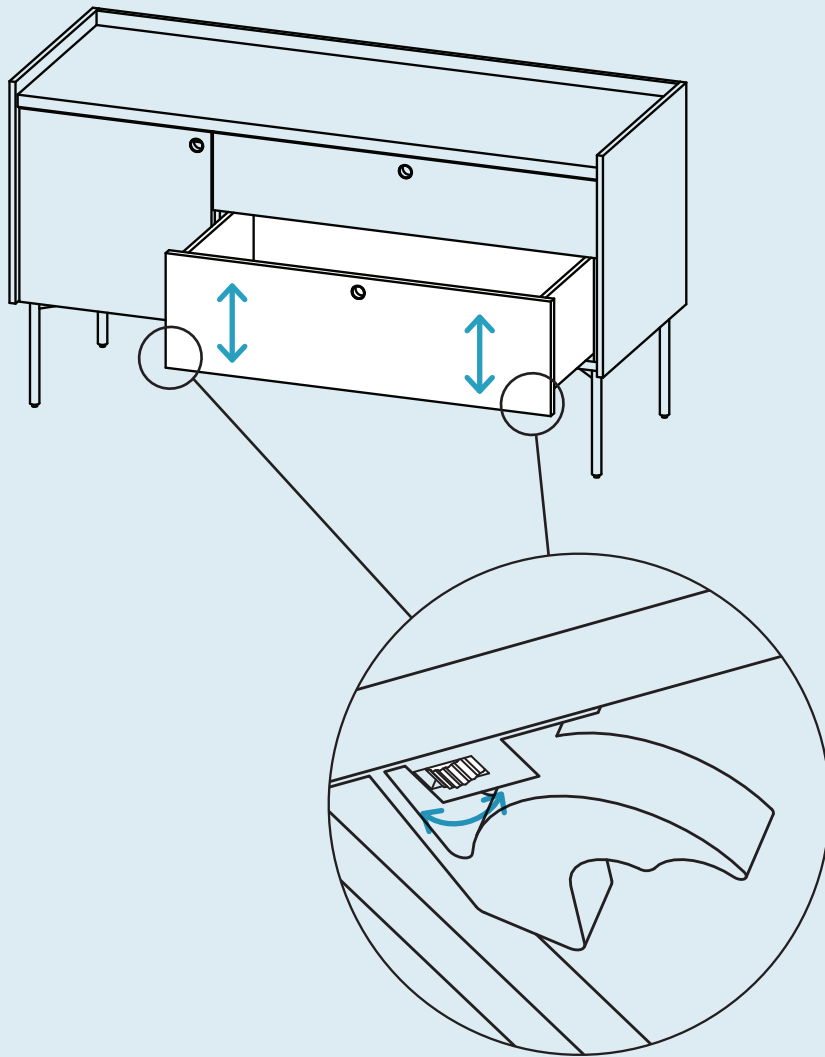
If door needs adjustment from SIDE TO SIDE, Use Screw #2.

If door needs adjustments from FRONT TO BACK, Use Screw #3.

Additional Information

DRAWER ADJUSTMENT.

The drawer heights may be adjusted to prevent surfaces from rubbing against each other. Rotate the wheel beneath the drawer as shown to move the drawer up or down.

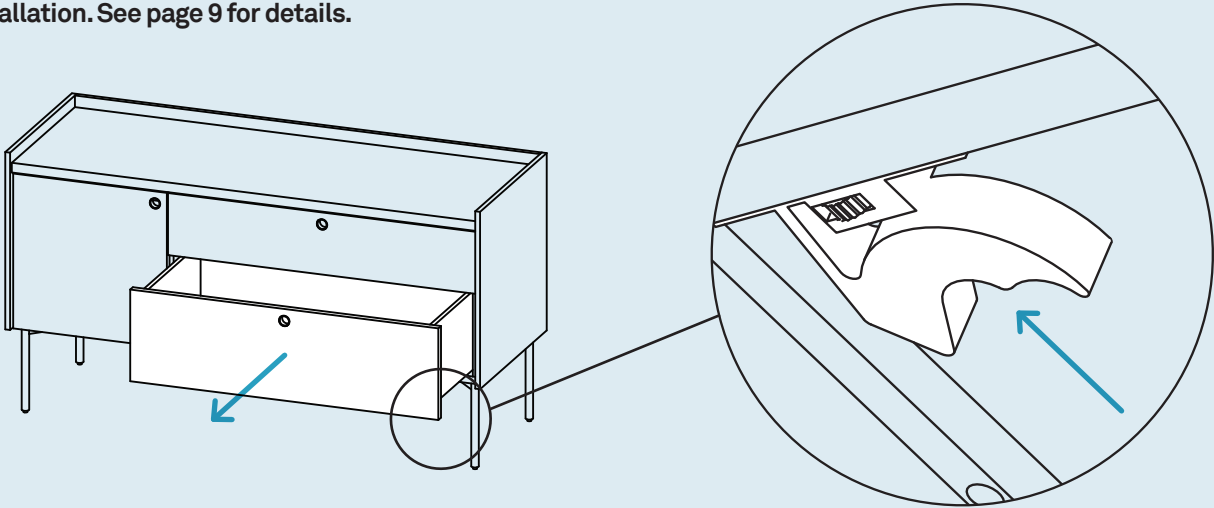


Additional Information

TO REMOVE DRAWERS

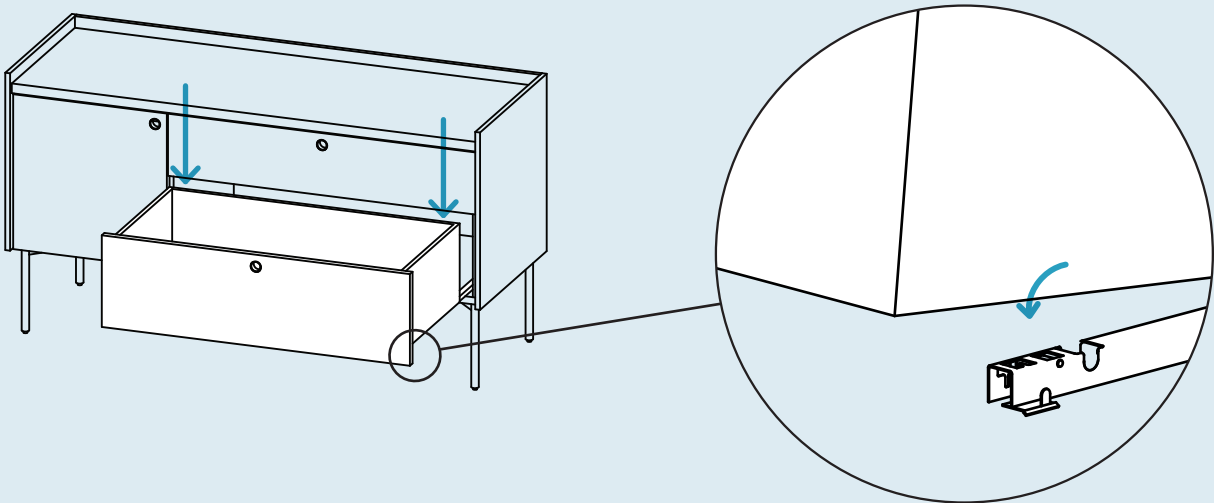
Extend the drawer completely. Squeeze both locks on the underside of the drawer while pulling the drawer out.

NOTE: The 4 & 6 Drawer Dressers comes with an interlock system and requires additional steps for drawer removal and re-installation. See page 9 for details.



TO REINSTALL THE DRAWER

Pull both slides forward. Engage rear slide catches. Lower drawer front into place and push closed.

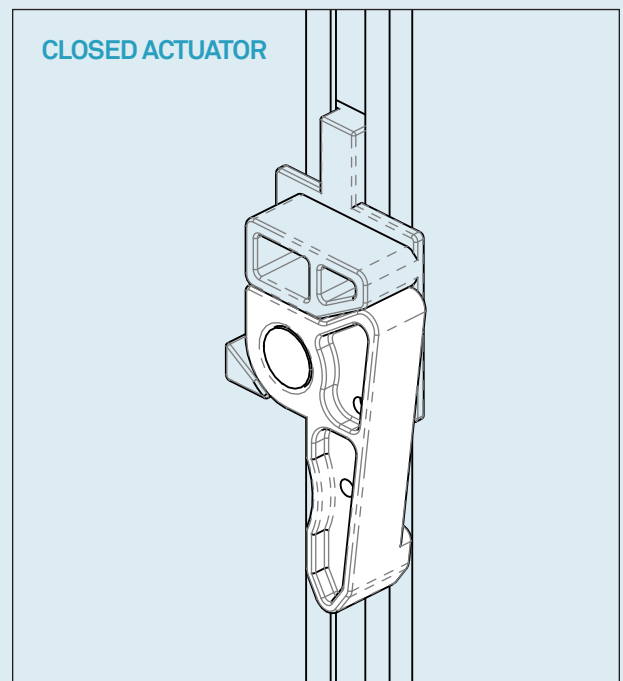
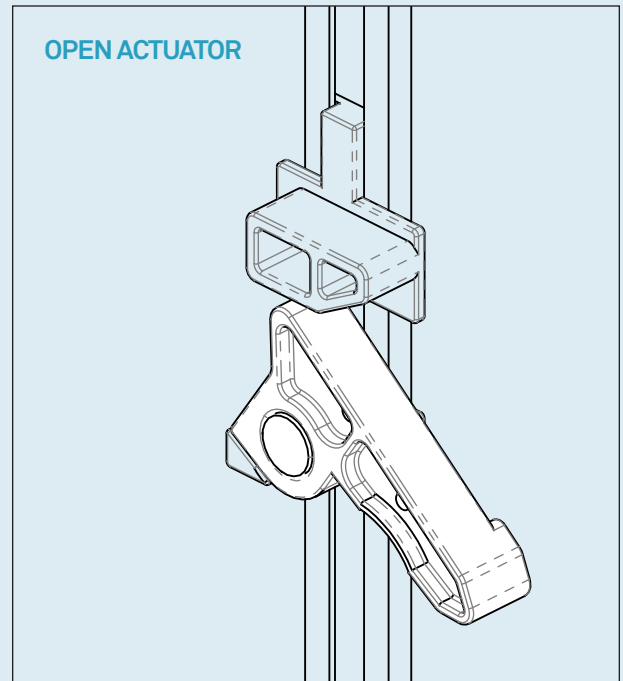


Interlock System

INSTRUCTIONS FOR 4 & 6 DRAWER DRESSERS.

Any single drawer can be easily removed. The interlock will re-engage when the drawer is reinserted and closed. If multiple drawers need to be removed, the following procedure must be used:

1. Remove the 1st drawer.
2. Reach inside the back of the case and move the actuator to the 'CLOSED' position.
3. This will allow a 2nd drawer to be removed.
4. To remove a 3rd drawer, move the actuator to the 'CLOSED' position for the 2nd drawer.
5. Continue until all the drawers are removed.



Interlock System

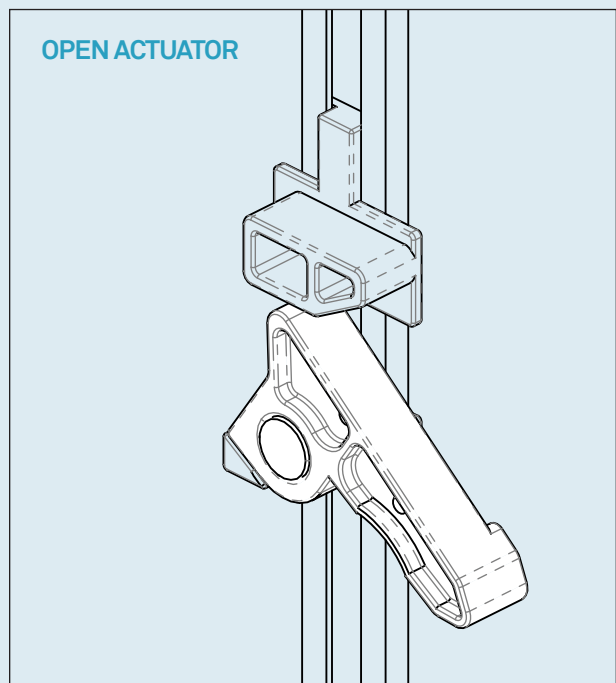
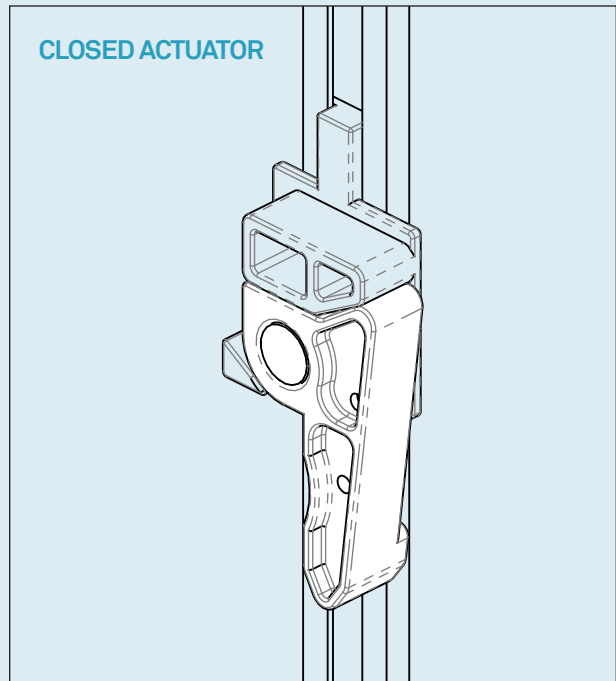
INSTRUCTIONS FOR 4 & 6 DRAWER DRESSER.



To install the drawers, the rear actuators must be moved to the 'OPEN' position for each drawer being installed. Only 1 actuator can be moved at a time.

CAUTION: Do not install and slam any drawer shut with the actuator in the 'CLOSED' position. This may damage the actuator or bend the latch which could cause the system to malfunction.

To reinstall the drawers, the following procedure must be used:

1. To install the 1st drawer, reach inside the back of the case and move the corresponding actuator to the 'OPEN' position.
2. Insert the drawer and slowly close until the interlock engages.
3. To install the 2nd drawer, reach inside to the back of the case and move this actuator to the 'OPEN' position.
4. Continue the installation with each successive drawer.



⚠ WARNING	
	<p>Children have died from furniture tipover. To reduce the risk of furniture tipover:</p> <ul style="list-style-type: none">• ALWAYS install anti-tip device provided.• NEVER put a TV on this product.• NEVER allow children to stand, climb or hang on any drawers, doors, or shelves.• NEVER open more than one drawer at a time.• DO NOT defeat or remove the drawer interlock system; it is an important stability and safety system.• Place heaviest items in the lowest drawers. <p><i>This is a permanent label. Do not remove!</i></p>
	

Warning applicable to 4 & 6 Drawer Dressers

Additional Information

CAUTION

Do not store clothing in this product unless it specifically indicated for that purpose. The items within this collection intended for clothing storage include the: 4 Drawer Dresser, 6 Drawer Dresser

CLEAN WOOD

Clean with a slightly damp, soft cloth. To remove dirt and fingerprints, use quality cleaners formulated for wood furniture. Wipe completely dry with a soft cloth in the direction of the wood grain.

CLEAN METAL

Clean with a with a slightly damp, soft cloth. To remove dirt and fingerprints, use quality cleaners formulated for metal furniture. Wipe completely dry with a soft cloth.

