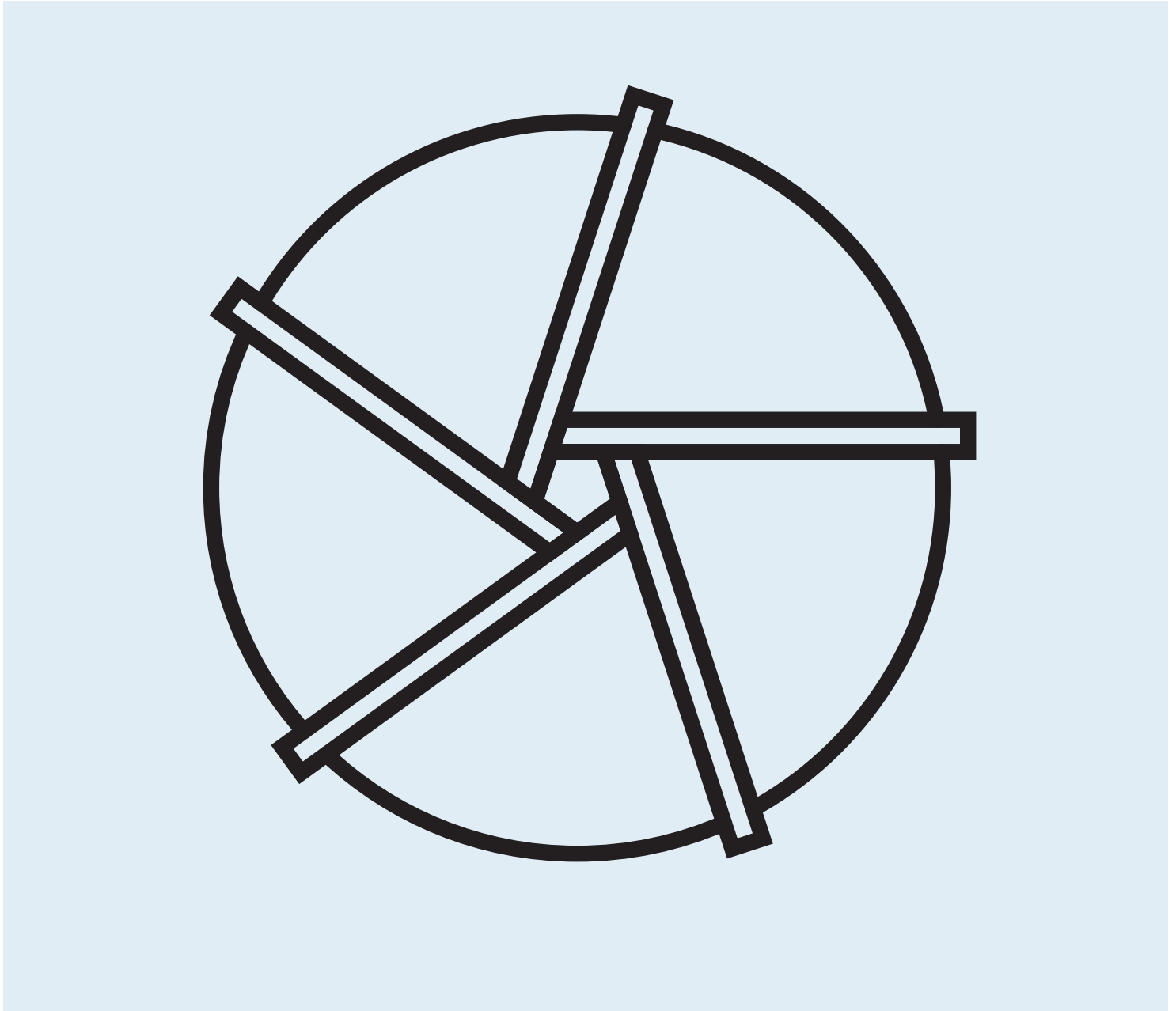


Pi Coffee Table

DESIGNED IN 2010

ASSEMBLY NOTES | REV 00



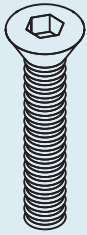
HOT SLICES.

Slices of powder-coated steel team with solid walnut legs to achieve eye-catching results.

NEED A HAND?

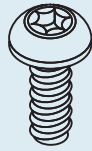
Contact us at service@bludot.com or **844.425.8368** for assistance.

Parts & Hardware



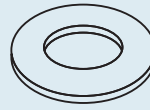
QTY

10



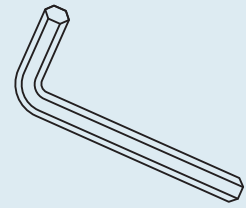
QTY

20



QTY

20



QTY

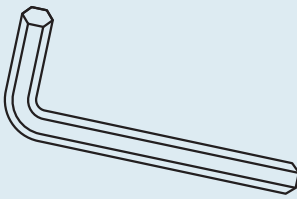
1

Pt. 1043

Pt. 1042b

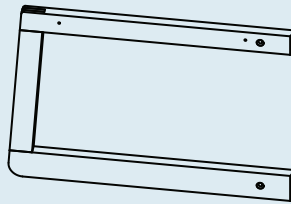
Pt. 3002

Pt. 9003



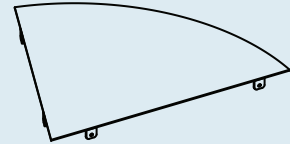
QTY

1



QTY

5



QTY

5

Pt. 9004

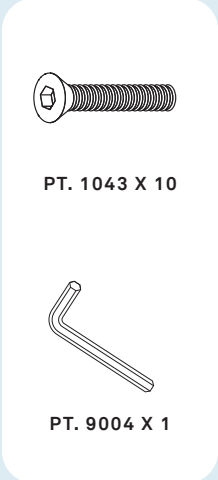
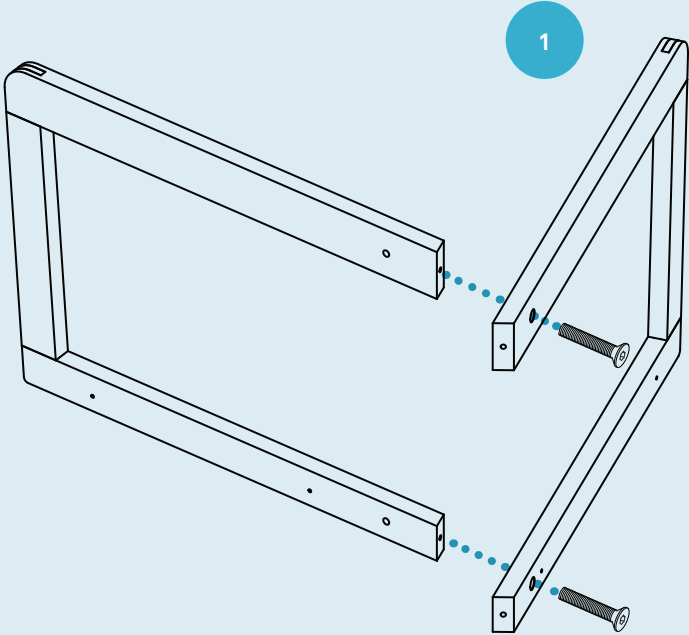
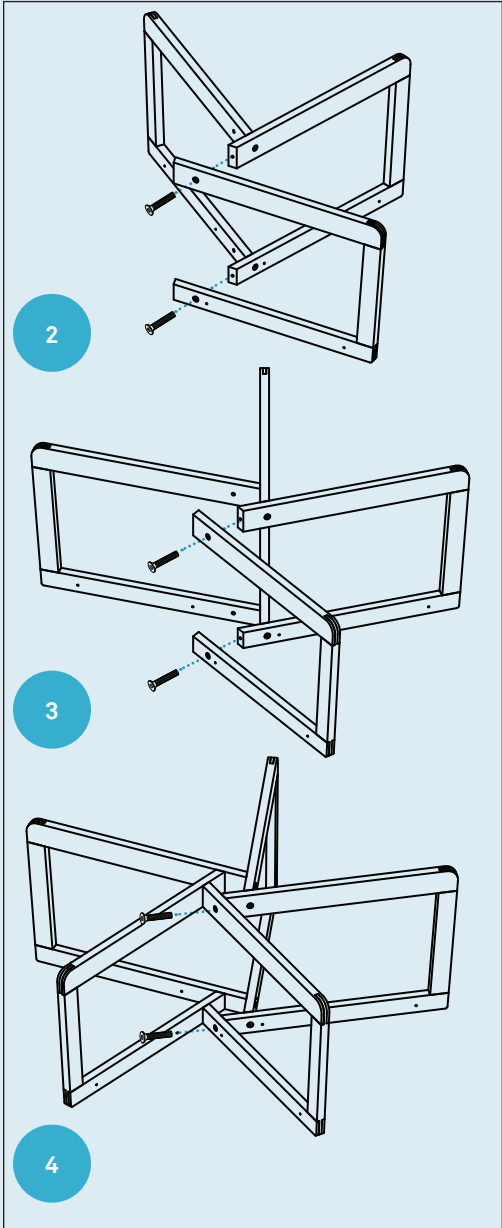
Leg

Top Panel

Step 01

ASSEMBLE THE BASE

Place pieces on carpet or a soft surface.
Assemble the base by combining each leg as shown.

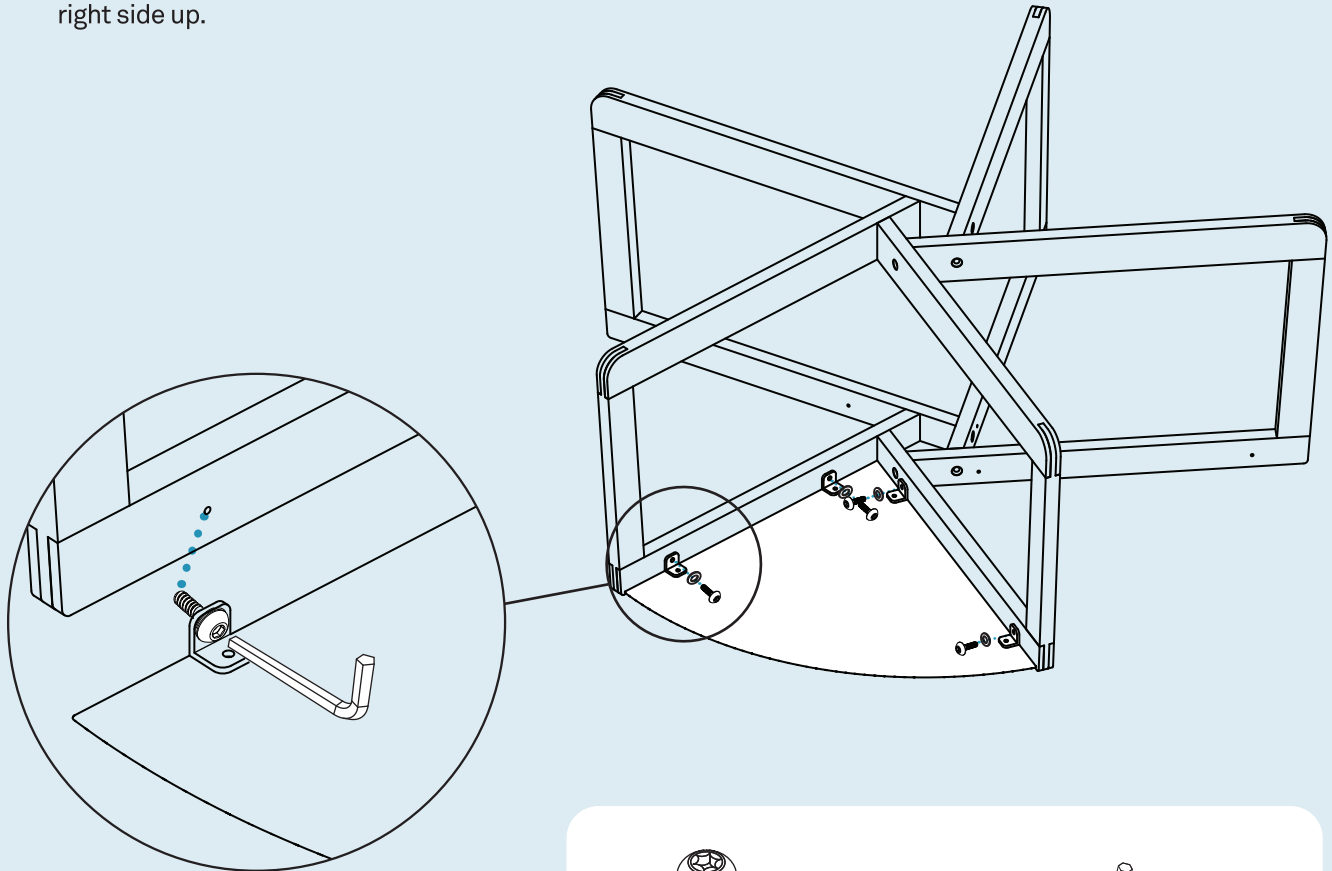


Step 02

INSTALL THE TOP PANELS

Slide the bolt through the top panel. Then use the bolt to locate the threaded insert.

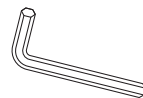
Repeat for all five panels, then flip the table right side up.



PT. 1042b X 20



PT. 3002 X 20



PT. 9003 X 1

Additional Information

CLEAN

Clean powder-coated top with a soft cloth or sponge using a mild detergent, such as dish soap, and warm water. Wipe completely dry with a soft cloth.

Clean wood base with a slightly damp, soft cloth. To remove dirt and finger-prints, use a quality cleaner formulated for wood furniture. Wipe completely dry with a soft cloth in the direction of the wood grain.

