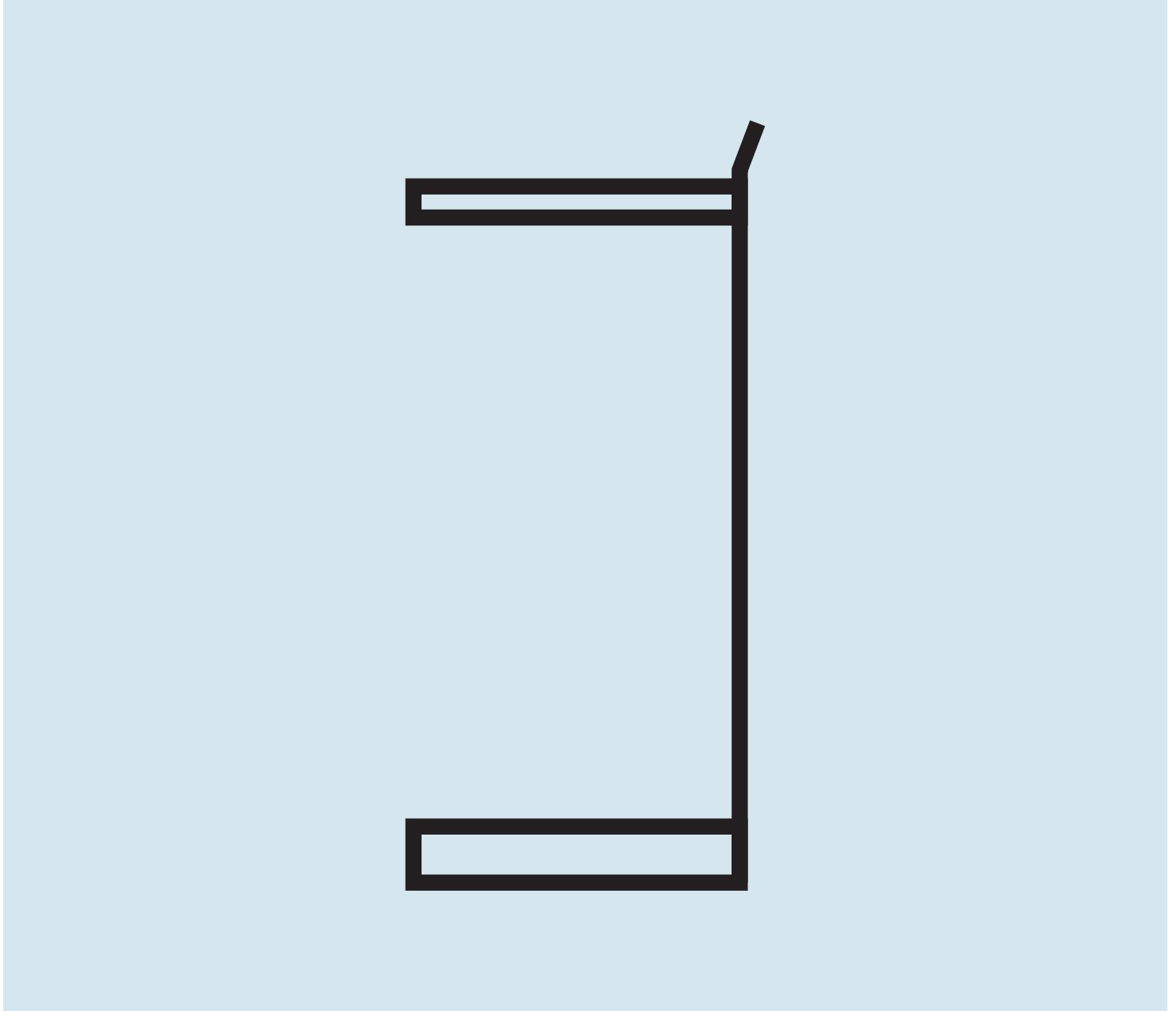


# Pitter Patter Umbrella Stand



DESIGNED IN 2018

ASSEMBLY NOTES | REV 00



## ROCK AND HOLE.

A polished wheel of Carrara marble sits on a tidy steel base for an effect that is loaded with low key elegance.

## NEED A HAND?

Contact us at [service@bludot.com](mailto:service@bludot.com) or **844.425.8368** for assistance.

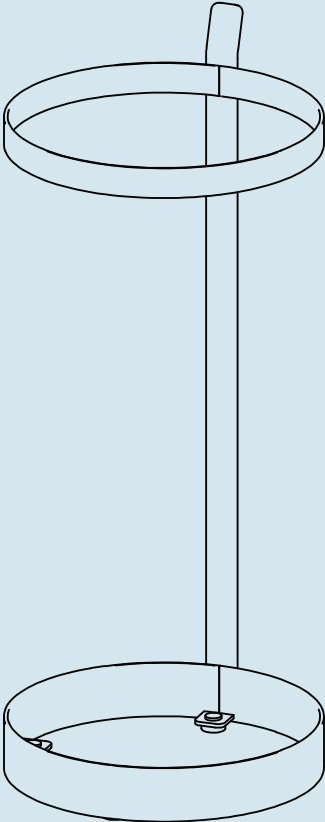
# Parts & Hardware



QTY

1

Base Insert



QTY

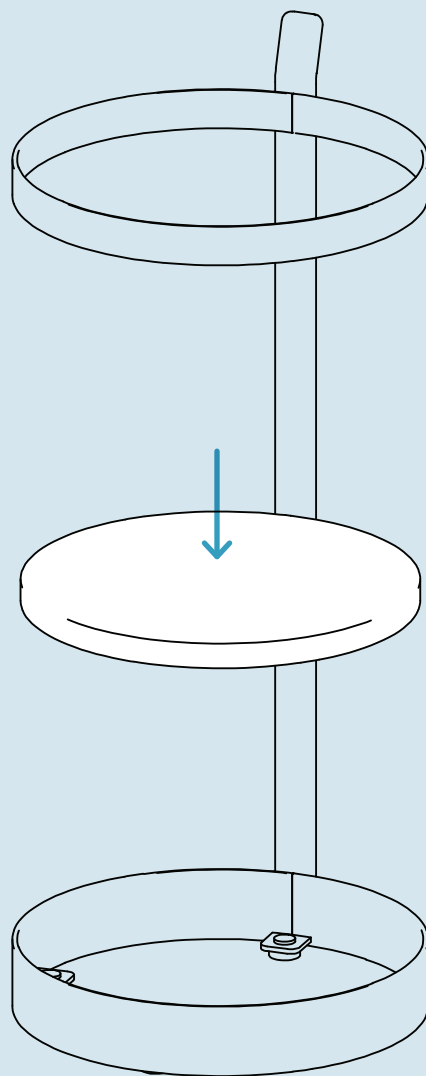
1

Base

# Step 01

## PLACING THE MARBLE.

Gently place marble insert into base.



## Additional Information

### CLEAN

Clean with a slightly damp, soft cloth. Wipe completely dry with a soft cloth.

### PROTECT

To help avoid stains we recommend sealing the honed marble, this should be done periodically to keep the surface protected. Please contact your local hardware store for professional guidance.

