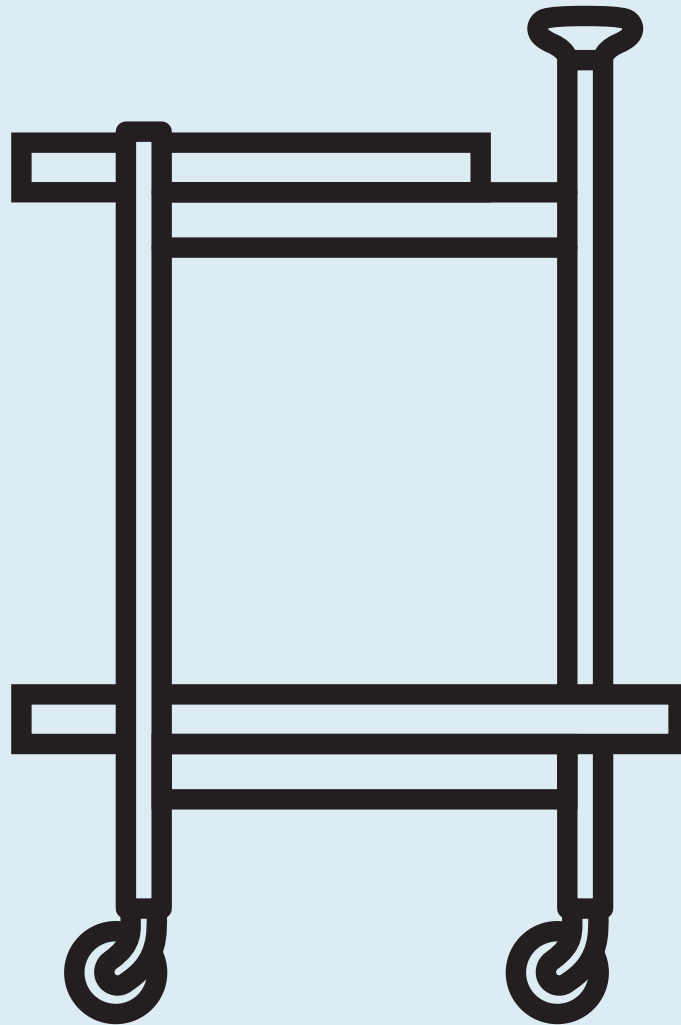


Por Favor Bar Cart



DESIGNED IN 2022

ASSEMBLY NOTES | REV 01



NEED A HAND?

Contact us at service@bludot.com or
844.425.8368 for assistance.

@BLUDOT

We design all our pieces in our Minneapolis studio. Follow
along on Instagram for some sneak peeks into the process.

Parts & Hardware



QTY

6

QTY

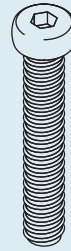
PT. 5007



3

QTY

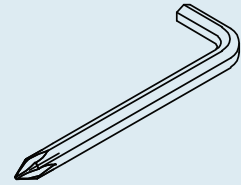
PT. 5026



9

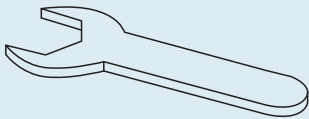
QTY

PT. 1604



1

PT. 9037



QTY

1

QTY

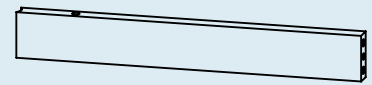
PT. 9012



3

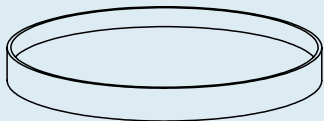
QTY

Caster



1

Stretchers



QTY

1

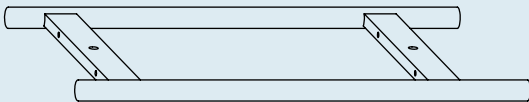
Top Shelf



QTY

1

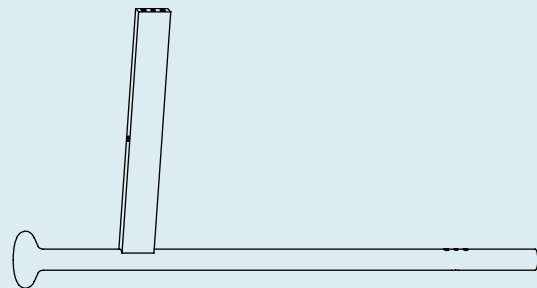
Bottom Shelf



QTY

1

Side Frame



QTY

1

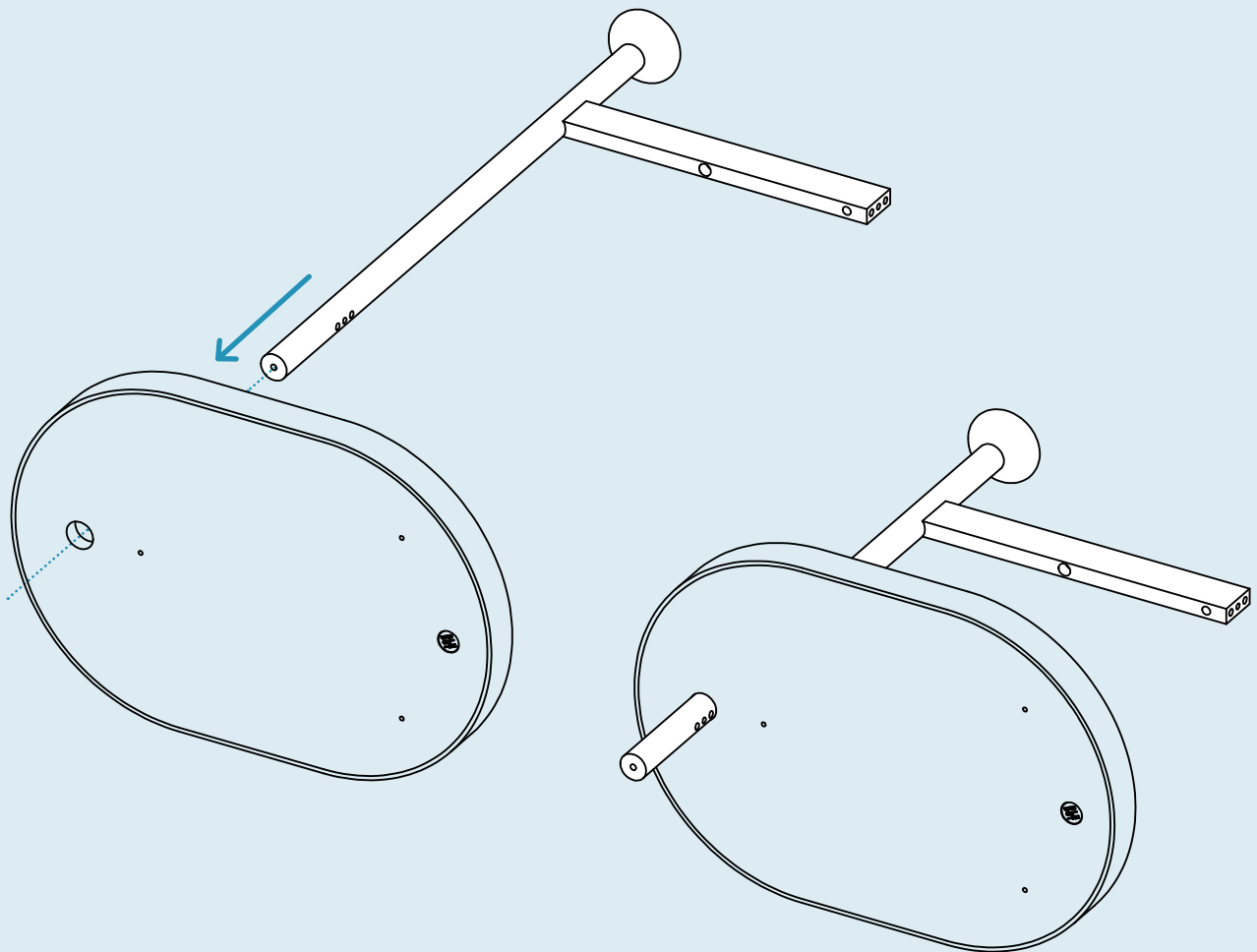
Handle

Step 01

POSITION HANDLE IN BOTTOM SHELF

Assemble this product on a soft, clean surface.

Insert handle through hole in bottom shelf as shown.

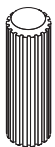
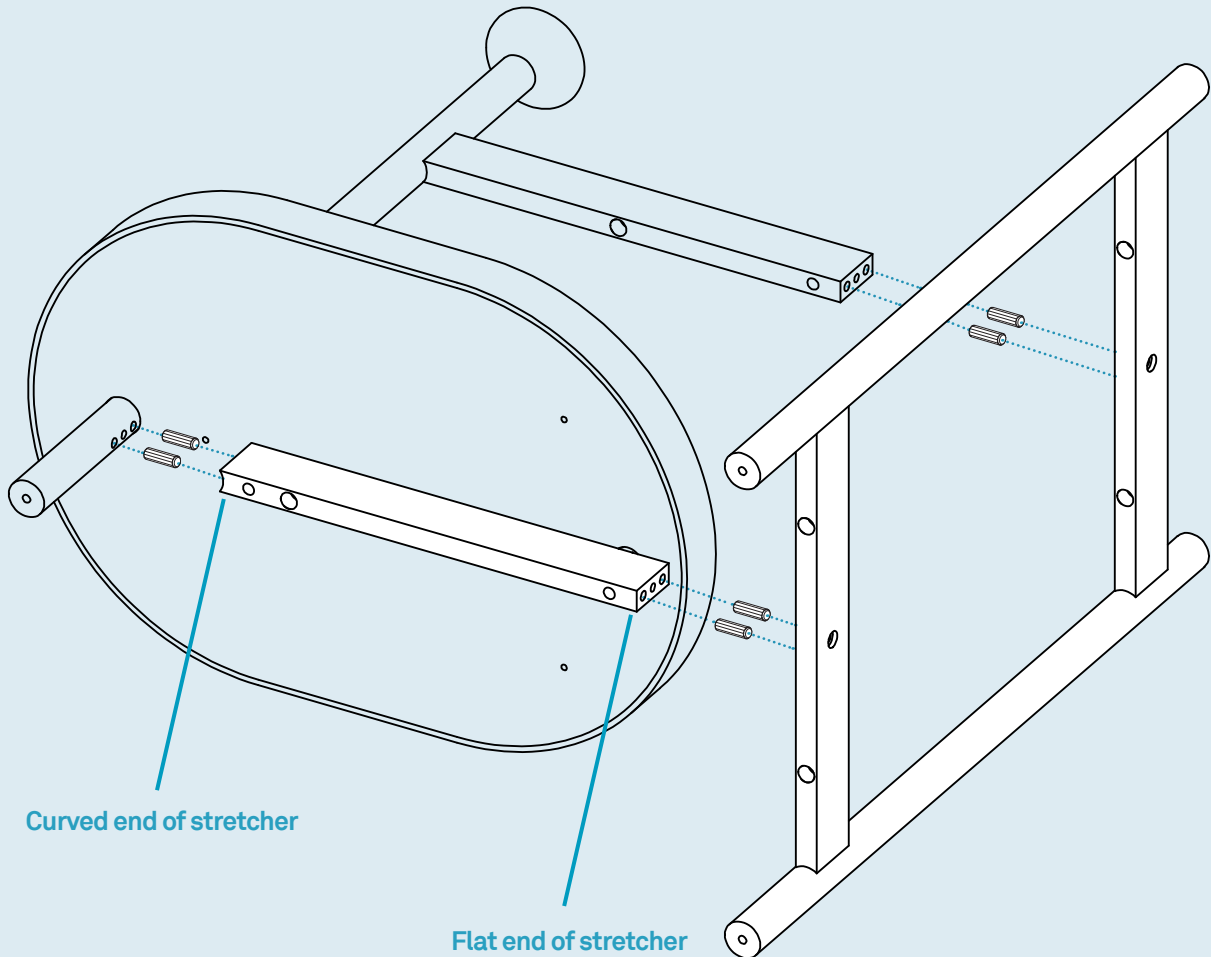


Step 02

POSITION STRETCHER AND SIDE FRAME.

Use provided dowel hardware to align the stretcher and side frame as shown.

Ensure that the stretcher is oriented correctly as shown.



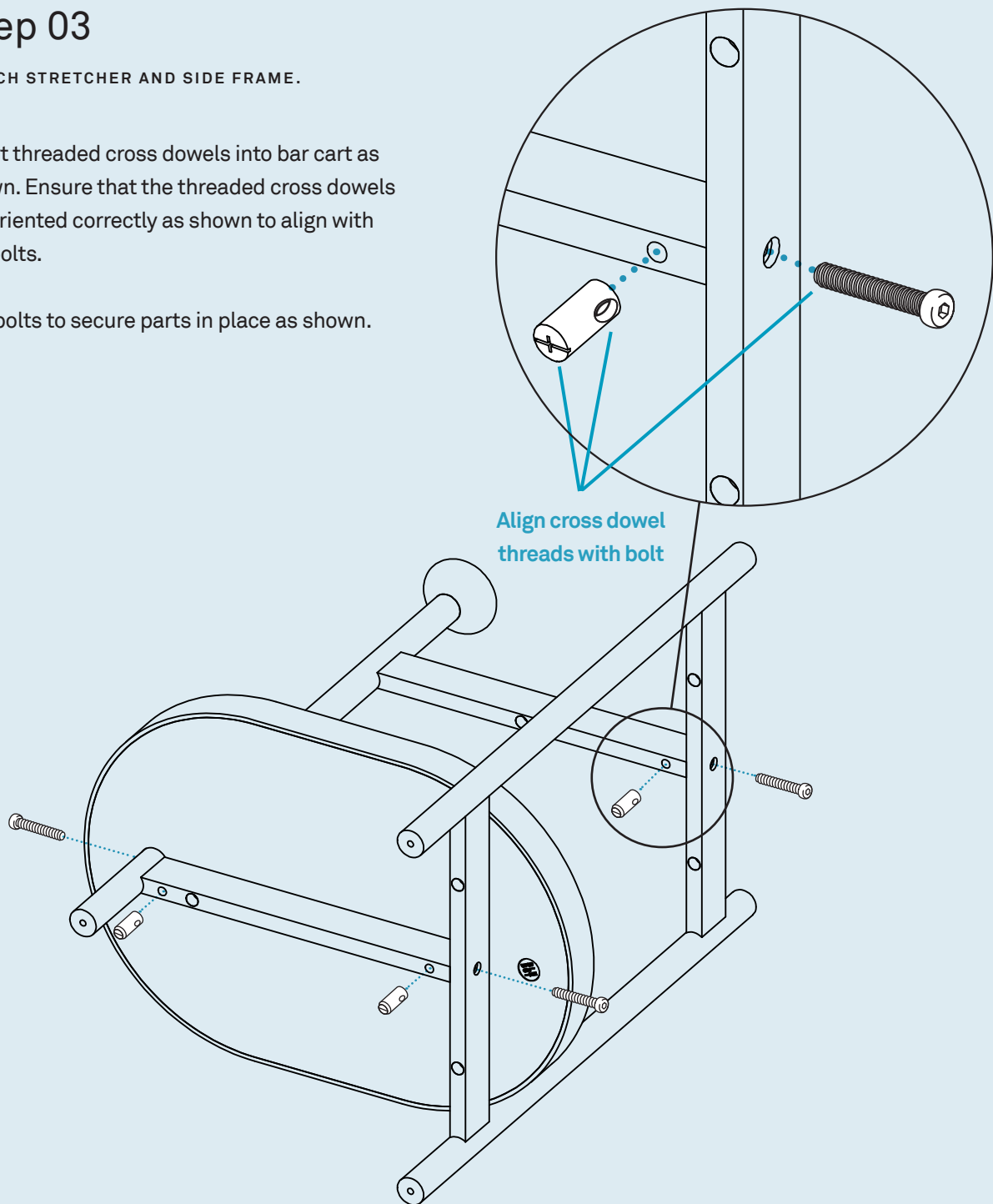
PT. 5007 x 6

Step 03

ATTACH STRETCHER AND SIDE FRAME.

Insert threaded cross dowels into bar cart as shown. Ensure that the threaded cross dowels are oriented correctly as shown to align with the bolts.

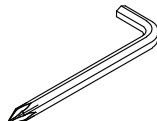
Use bolts to secure parts in place as shown.



PT. 5026 x 3



PT. 1604 x 3

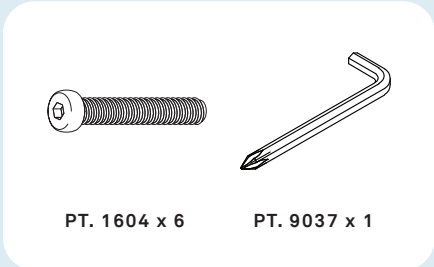
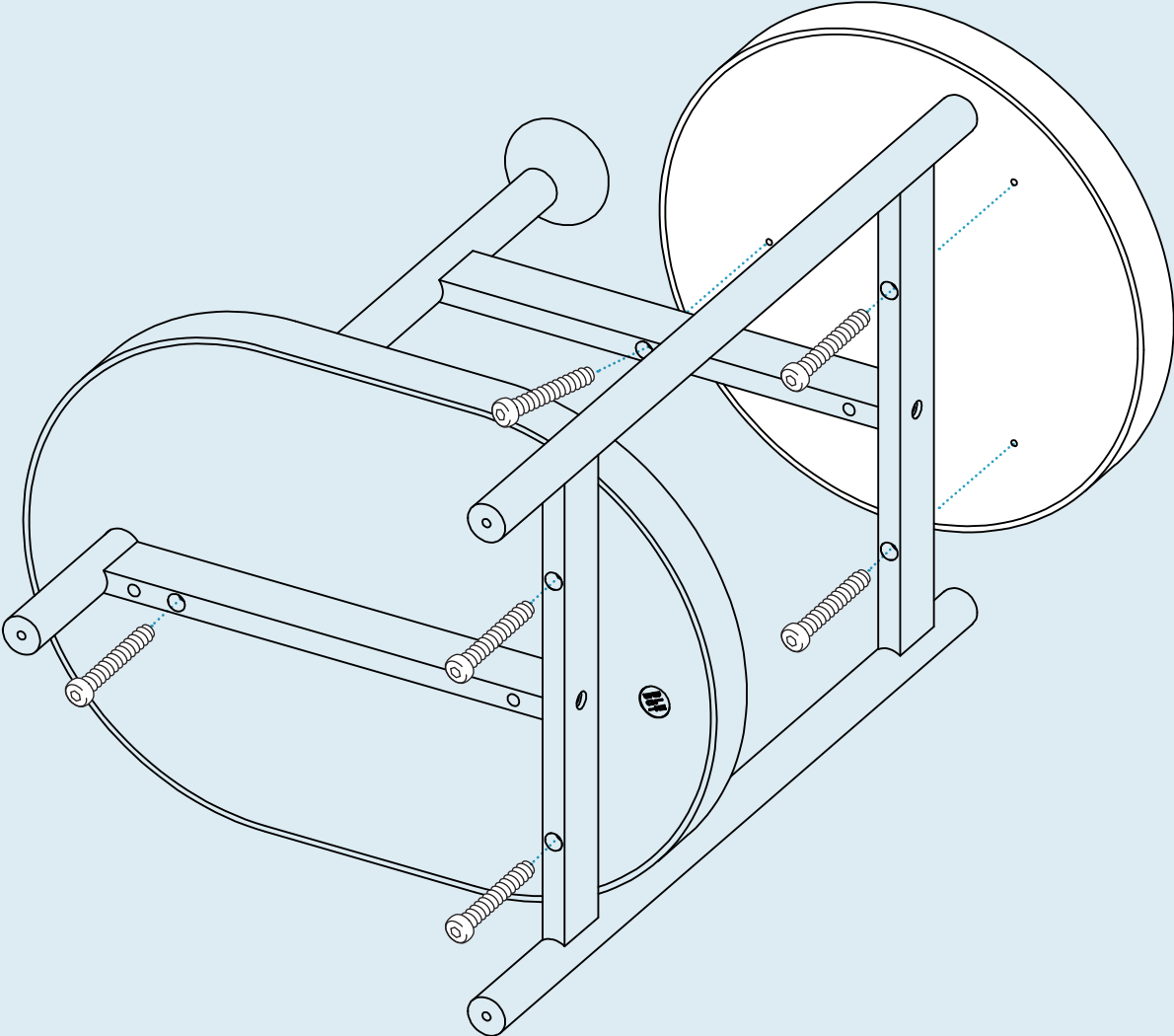


PT. 9037 x 1

Step 04

ATTACH TOP AND BOTTOM SHELVES.

Secure shelves in place using the hardware provided as shown.

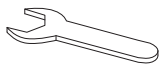
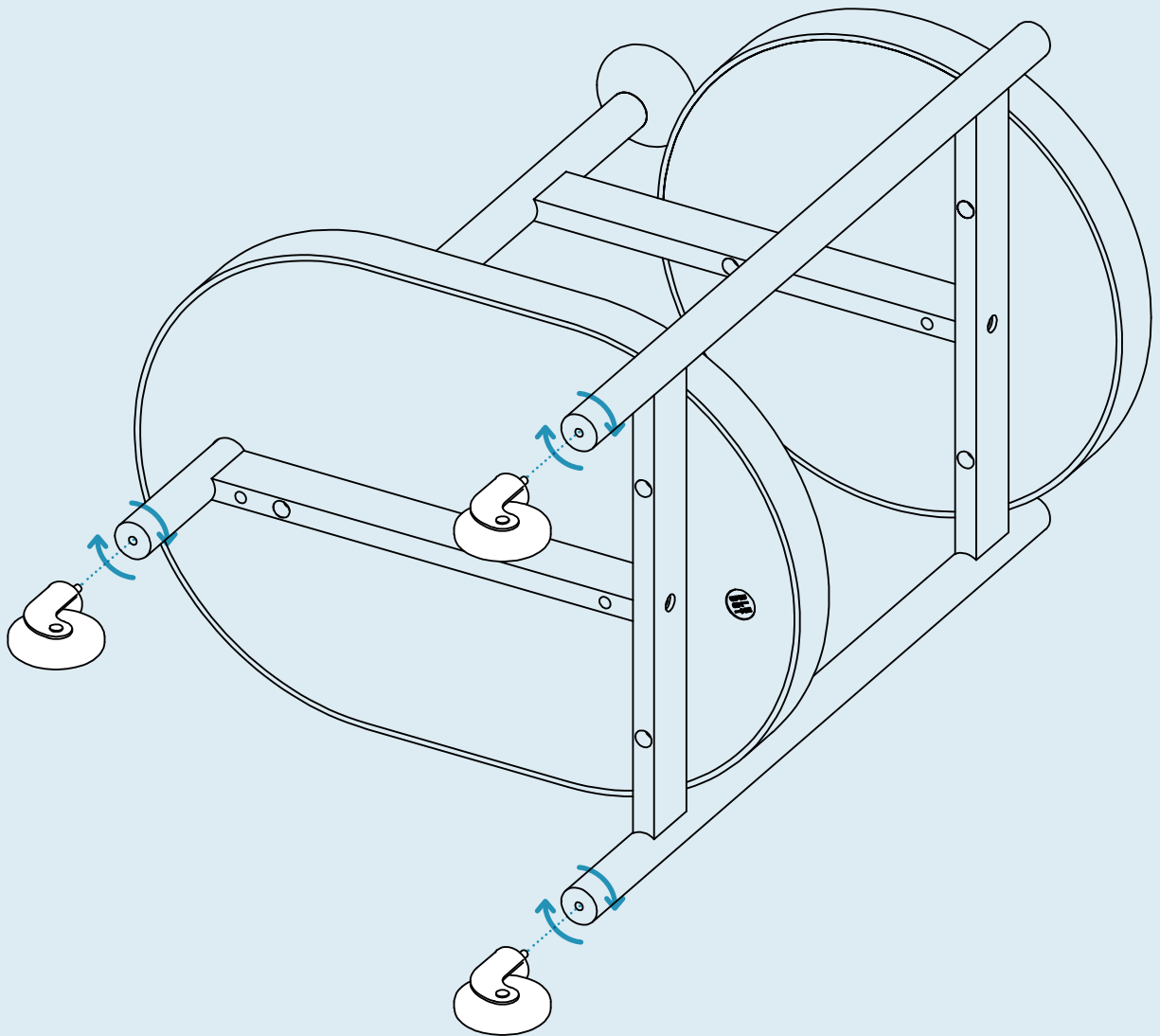


Step 05

ATTACH CASTERS.

Thread casters into bar cart as shown to complete assembly.

Periodically re-tighten hardware as needed.



PT. 9012 x 1

Additional Information

CLEAN

Clean with a slightly damp, soft cloth. To remove dirt and fingerprints, use a quality cleaner formulated for wood furniture. Wipe completely dry with a soft cloth in the direction of the wood grain.

