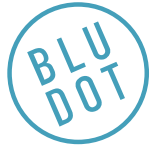
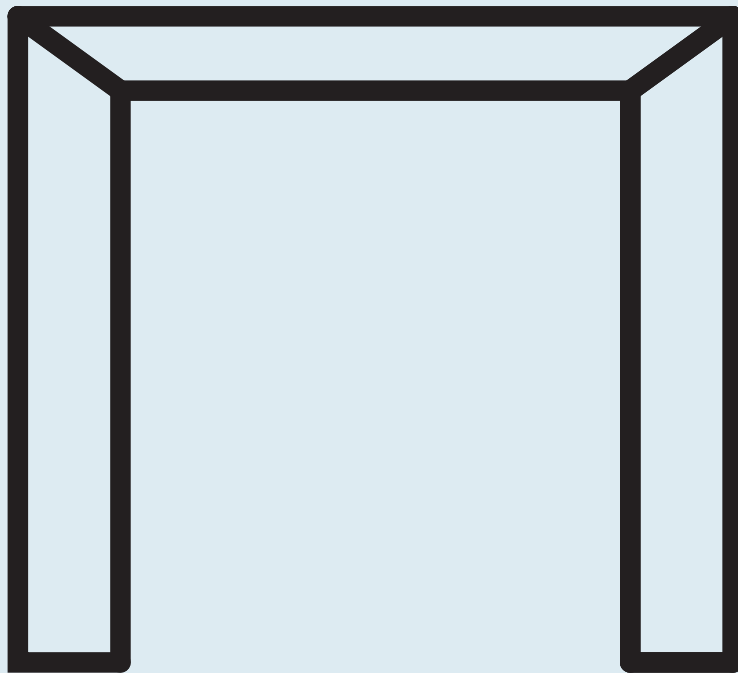


Second Best Dining Table



DESIGNED IN 2014

ASSEMBLY NOTES | REV 00



BECAUSE YOU ARE NUMERO UNO.

Simple works. No trickery or adornment needed, the unpretentious design lets you, your meals and your company always take first place.

NEED A HAND?

Contact us at service@bludot.com or **844.425.8368** for assistance.

Parts & Hardware



QTY 4

Pt. 5005



QTY 10*

Pt. 5007



QTY 6*

Pt. 8029



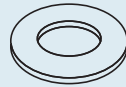
QTY 6*

Pt. 2002



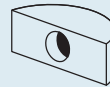
QTY 6*

Pt. 3003



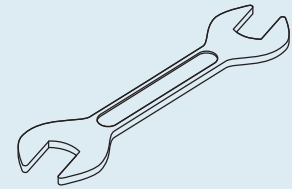
QTY 6*

Pt. 3004



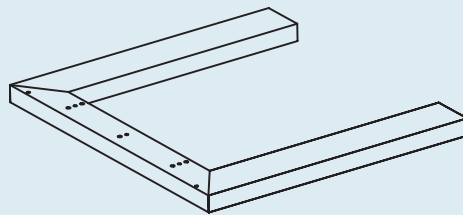
QTY 6*

Pt. 8028



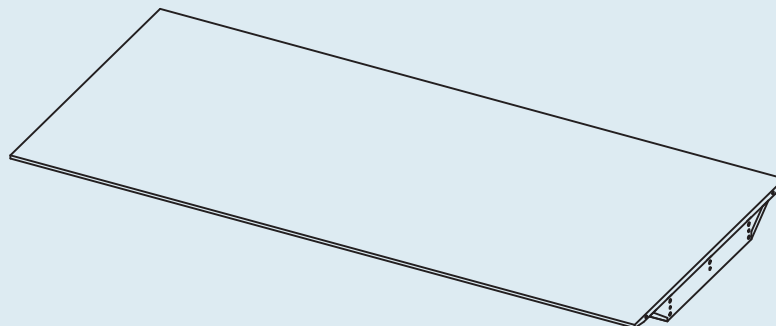
QTY 1

Pt. 9020



QTY 2

Leg Frame



QTY 1

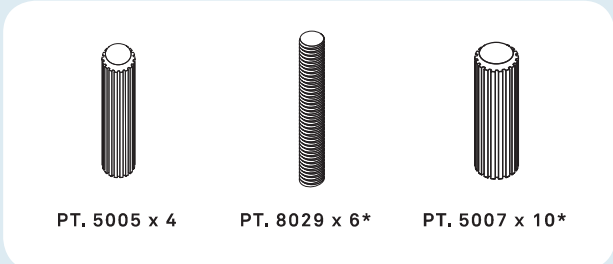
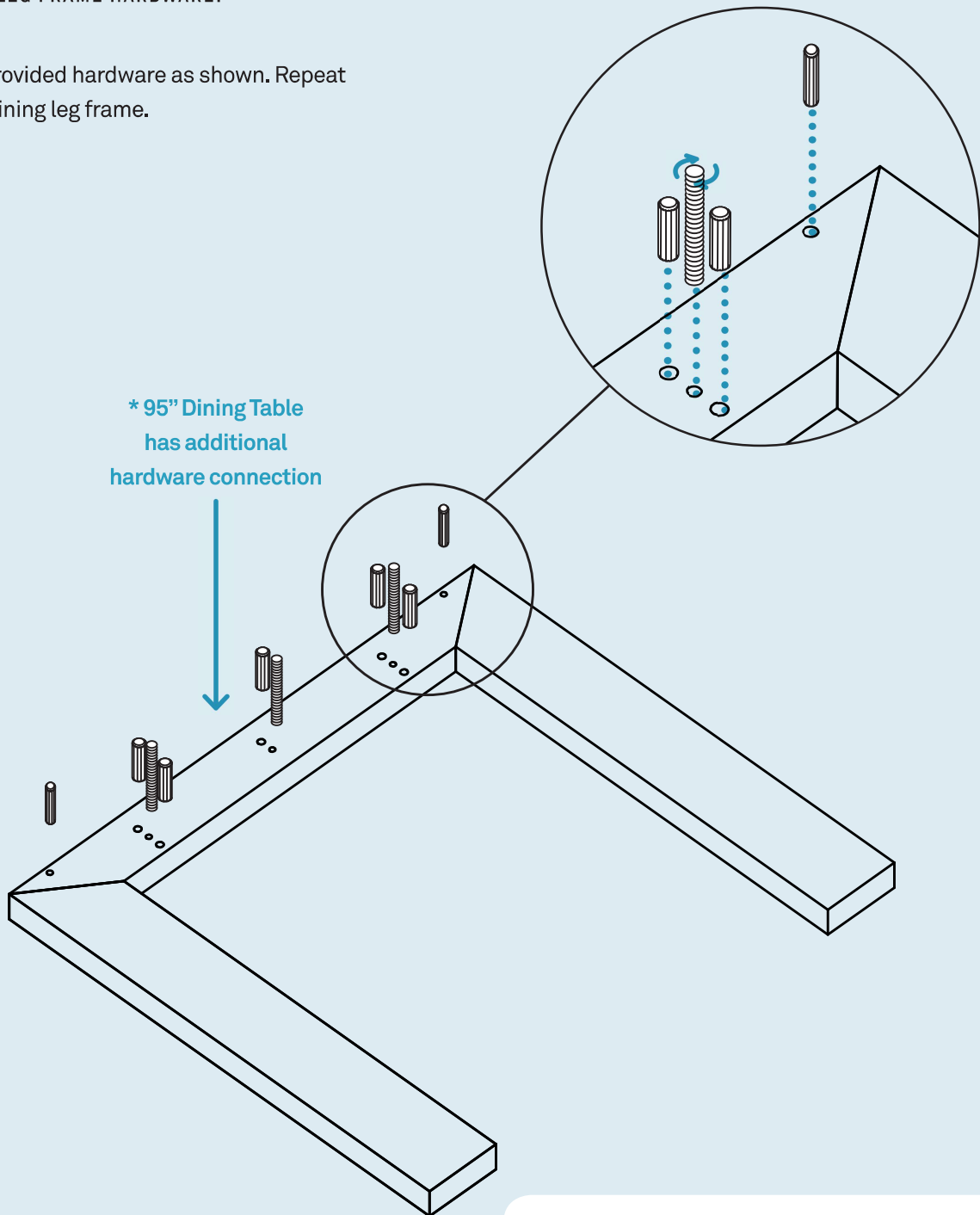
Top

* 95" Dining Table ships with x2 additional hardware pieces .

Step 01

INSTALL LEG FRAME HARDWARE.

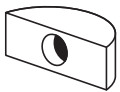
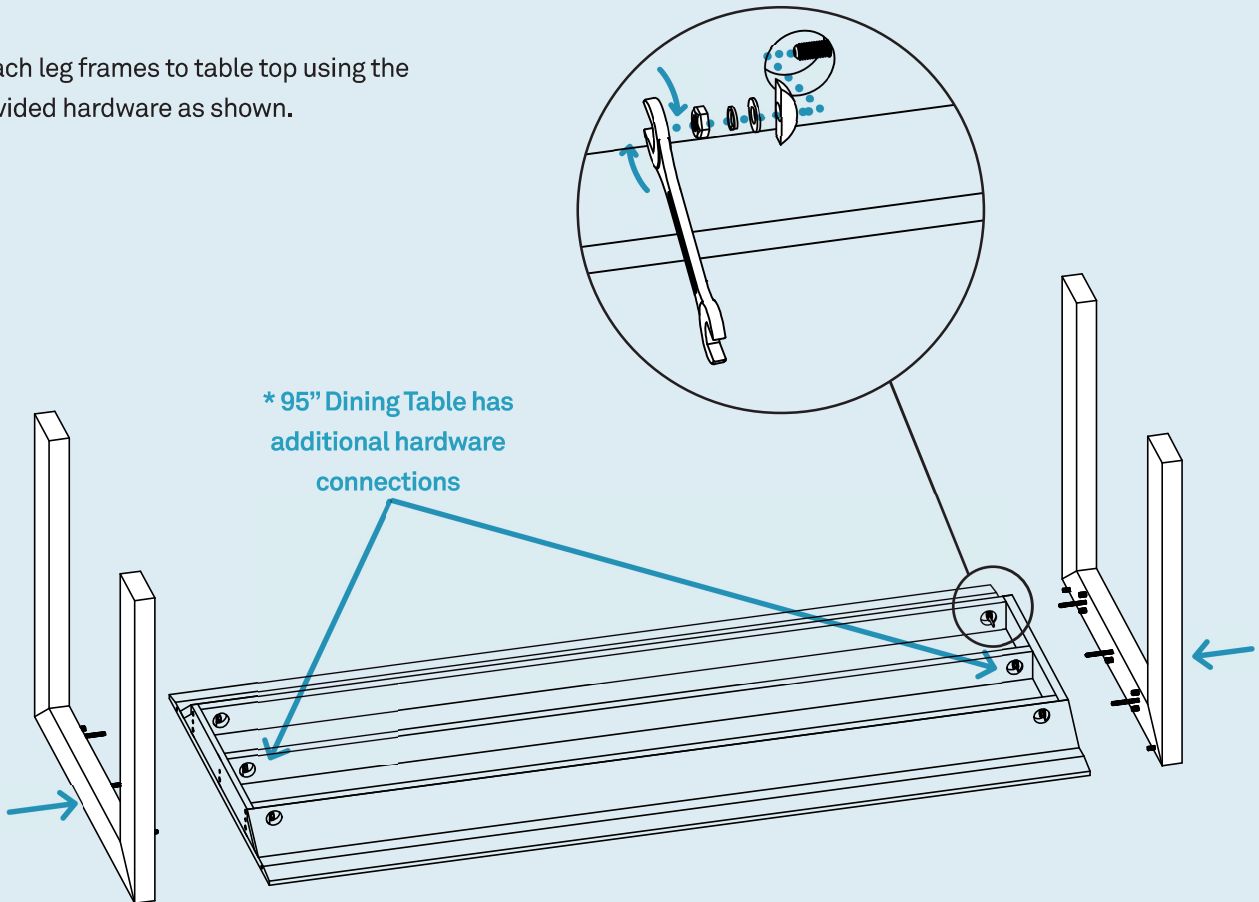
Install provided hardware as shown. Repeat for remaining leg frame.



Step 02

ATTACH LEG FRAMES.

Attach leg frames to table top using the provided hardware as shown.



PT. 8028 x 6*



PT. 3004 x 6*



PT. 3003 x 6*



PT. 2002 x 6*



PT. 9020 x 1

Additional Information

CLEAN

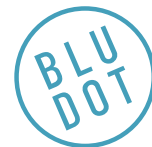
Clean with a slightly damp, soft cloth. To remove dirt and fingerprints, use a quality cleaner formulate for wood furniture. Wipe completely dry with a soft cloth in the direction of the wood grain.

MAINTAIN

Periodically inspect threaded nut, Pt. 2002, tightness. Retighten as needed using provided hardware.

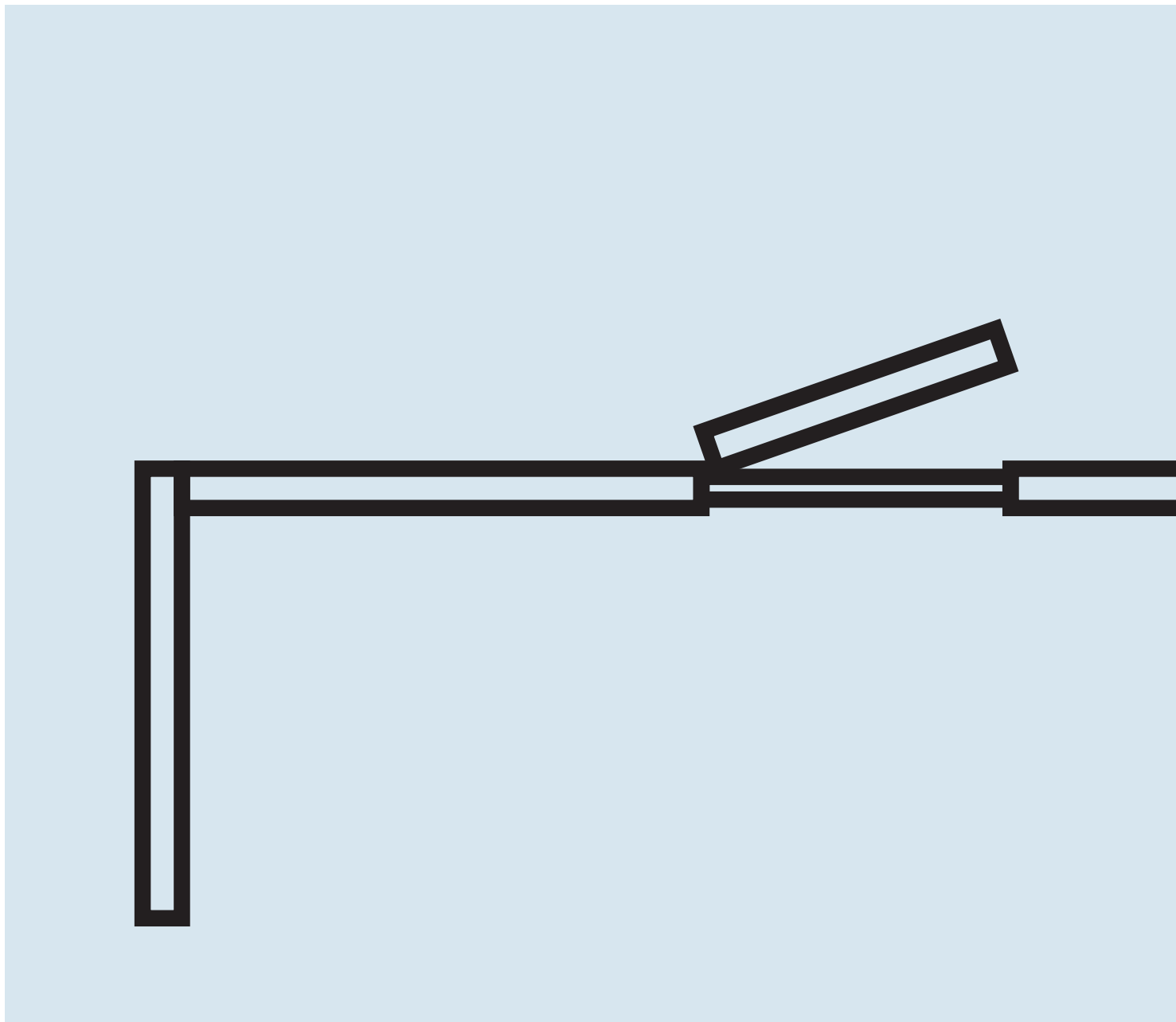


Second Best Extension Table



DESIGNED IN 2016

ASSEMBLY NOTES | REV 00



BECAUSE YOU ARE NUMERO UNO.

Simple works. No trickery or adornment needed, the unpretentious design lets you, your meals and your company always take first place.

NEED A HAND?

Contact us at service@bludot.com or **844.425.8368** for assistance.

Parts & Hardware



QTY 4

Pt. 5005



QTY 10

Pt. 5007



QTY 6

Pt. 8029



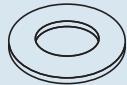
QTY 6

Pt. 2002



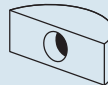
QTY 6

Pt. 3003



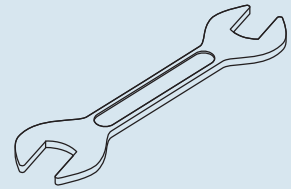
QTY 6

Pt. 3004



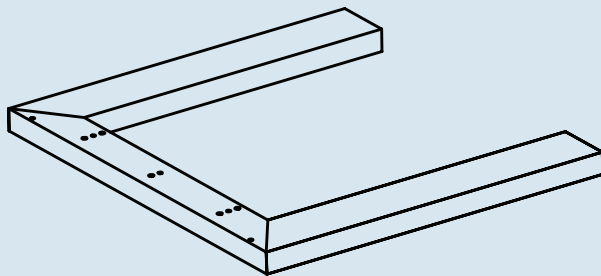
QTY 6

Pt. 8028



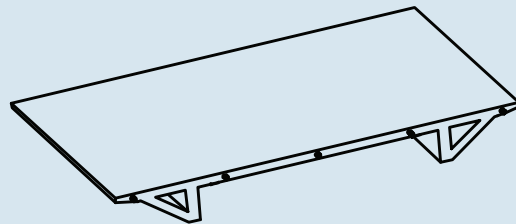
QTY 1

Pt. 9020



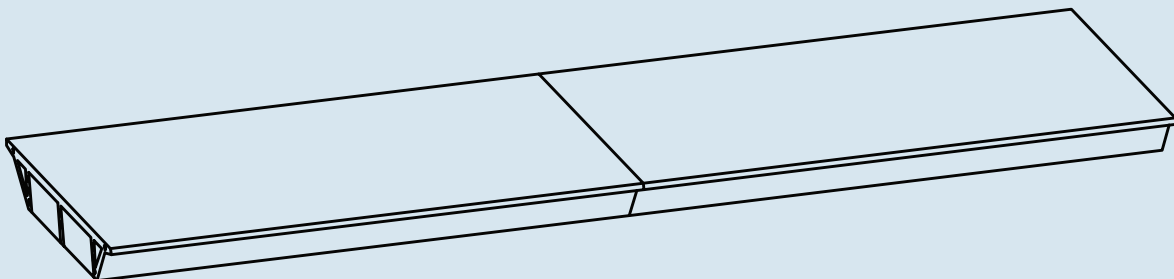
QTY 2

Leg Frame



QTY 1

Insert



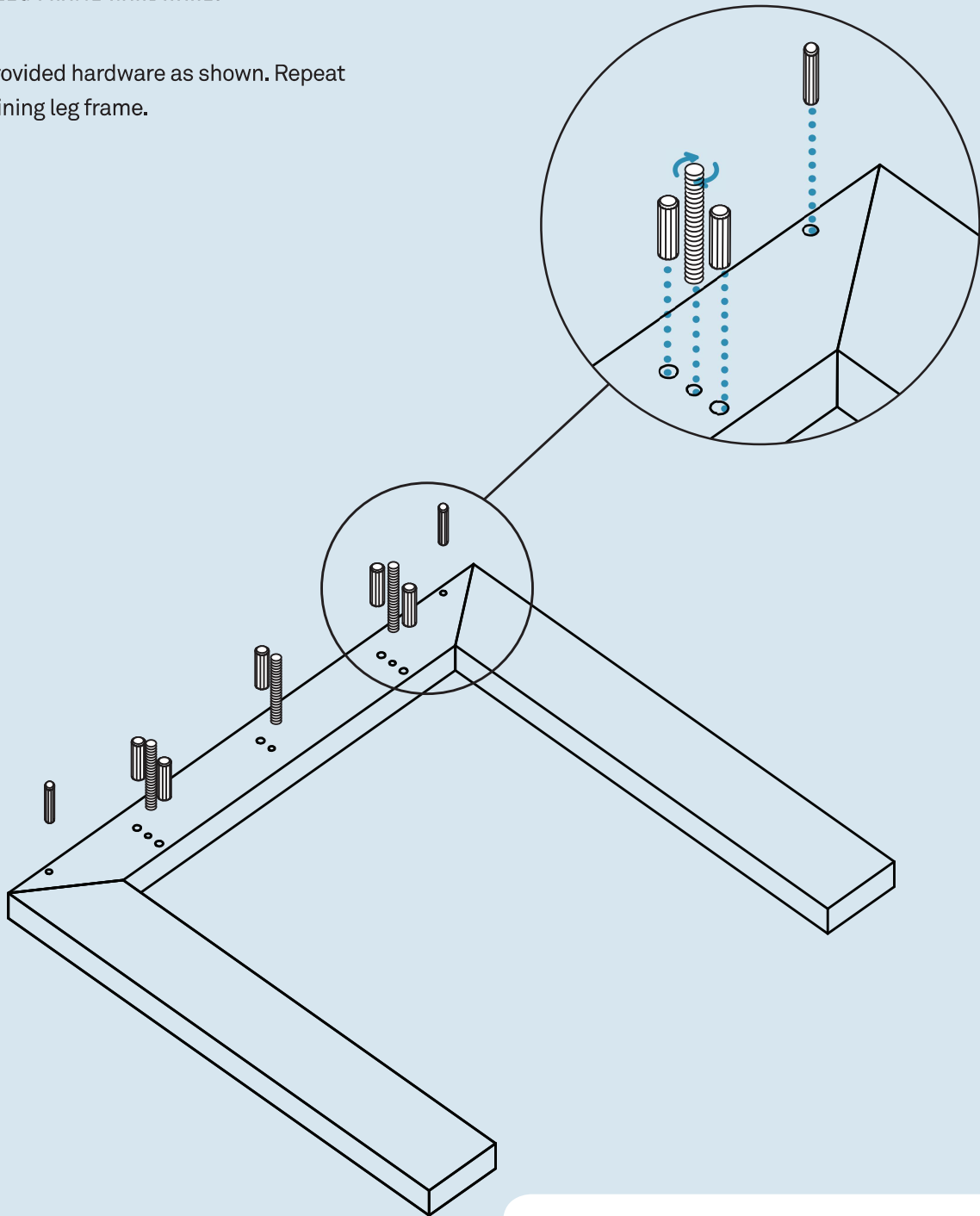
QTY 1

Top

Step 01

INSTALL LEG FRAME HARDWARE.

Install provided hardware as shown. Repeat for remaining leg frame.



PT. 5005 x 4



PT. 8029 x 6

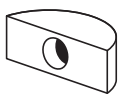
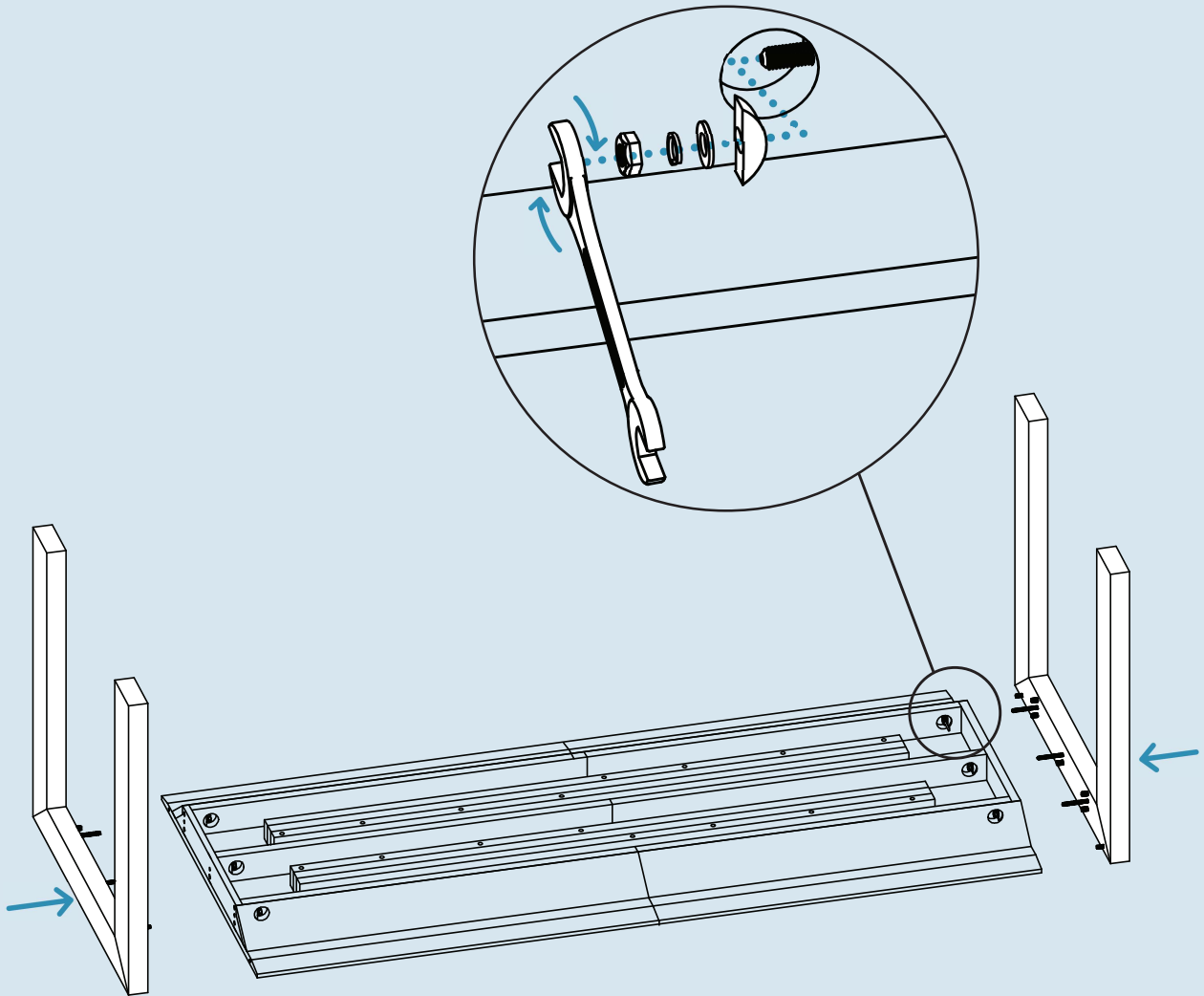


PT. 5007 x 10

Step 02

ATTACH LEG FRAMES.

Attach leg frames to table top using the provided hardware as shown.



PT. 8028 x 6



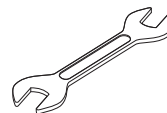
PT. 3004 x 6



PT. 3003 x 6



PT. 2002 x 6

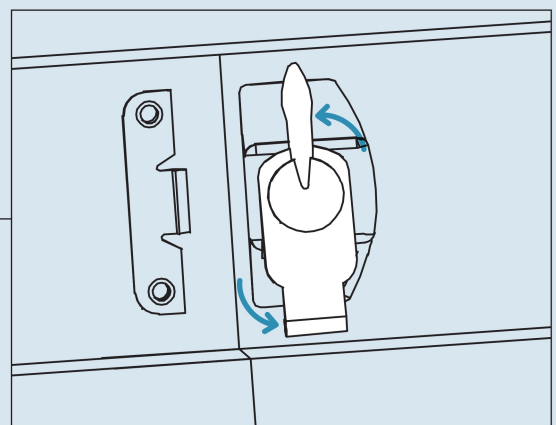
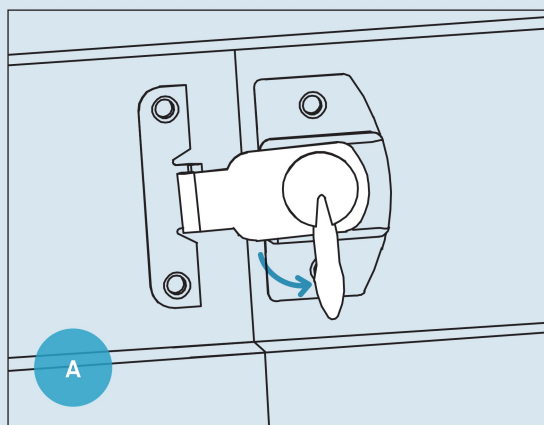
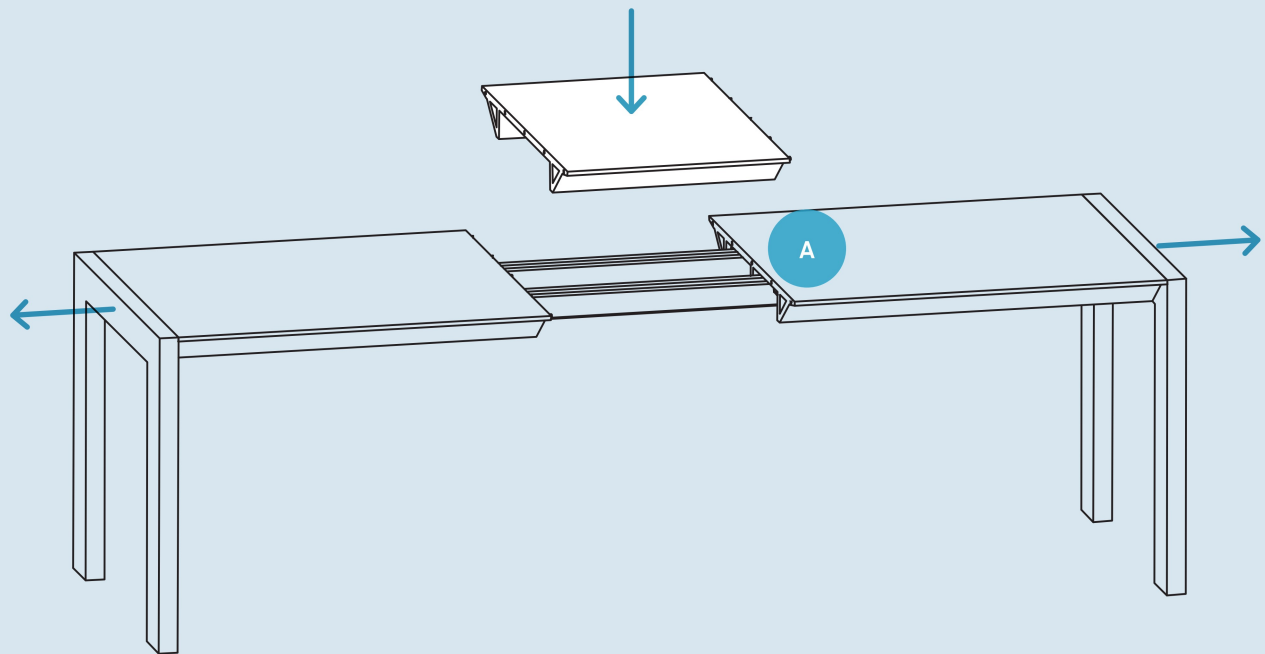


PT. 9020 x 1

Step 03

INSTALL TABLE EXTENSION.

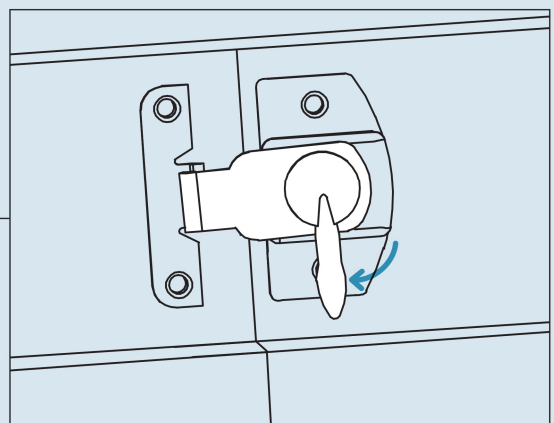
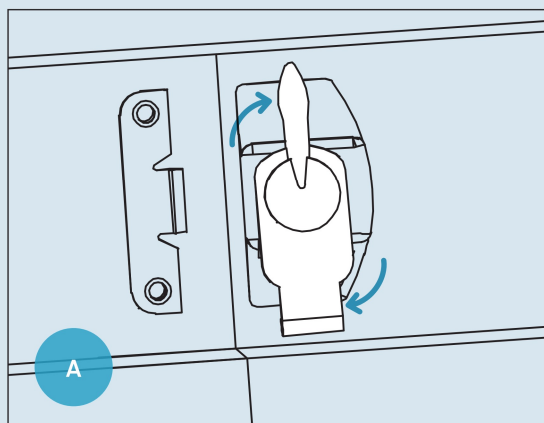
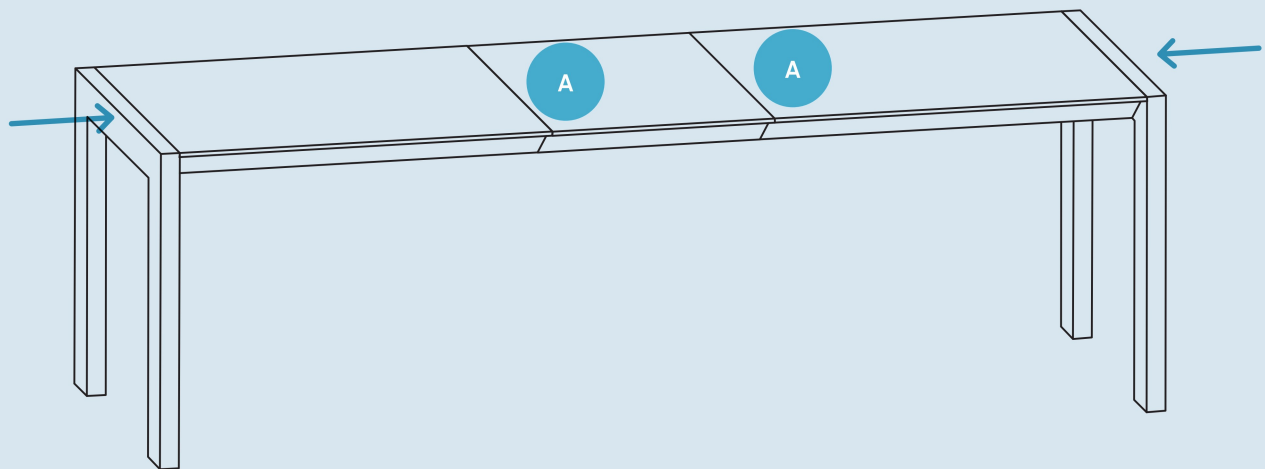
Disengage locks mounted on underside of table as shown. Have a second person help to extend the table. Align table extension pins and drop into place as shown.



Step 04

FINISH ASSEMBLY.

Have a second person help to push the table together. Engage locks mounted on underside of table as shown.



Additional Information

CLEAN

Clean with a slightly damp, soft cloth. To remove dirt and fingerprints, use a quality cleaner formulate for wood furniture. Wipe completely dry with a soft cloth in the direction of the wood grain.

MAINTAIN

Periodically inspect threaded nut, Pt. 2002, tightness. Retighten as needed using provided hardware.