

BLU  
DOT

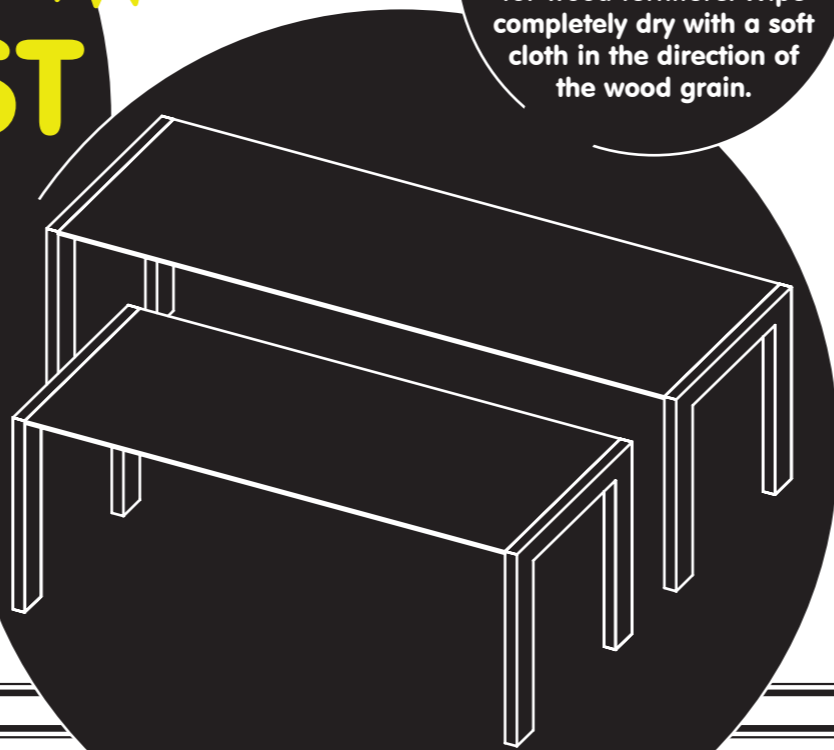
# SECOND BEST DINING TABLE

ASSEMBLY NOTES

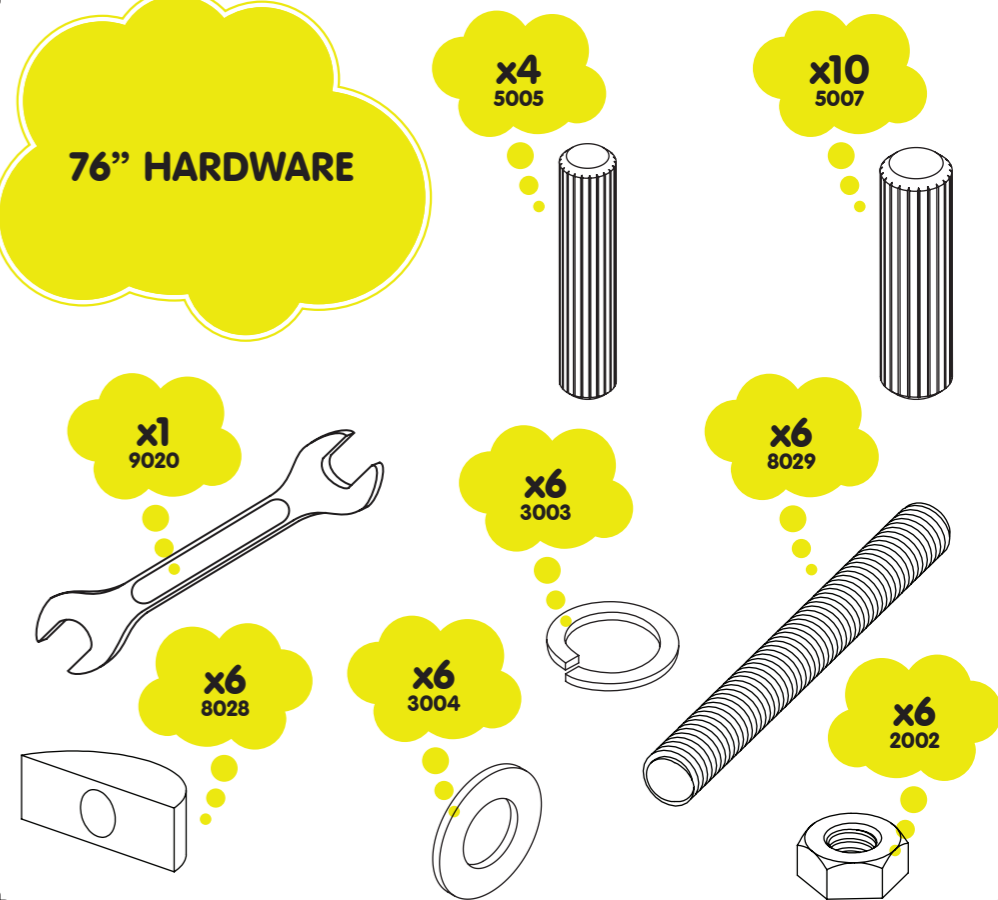
SECOND BEST, ONLY  
TO YOUR COOKING!

### CARE

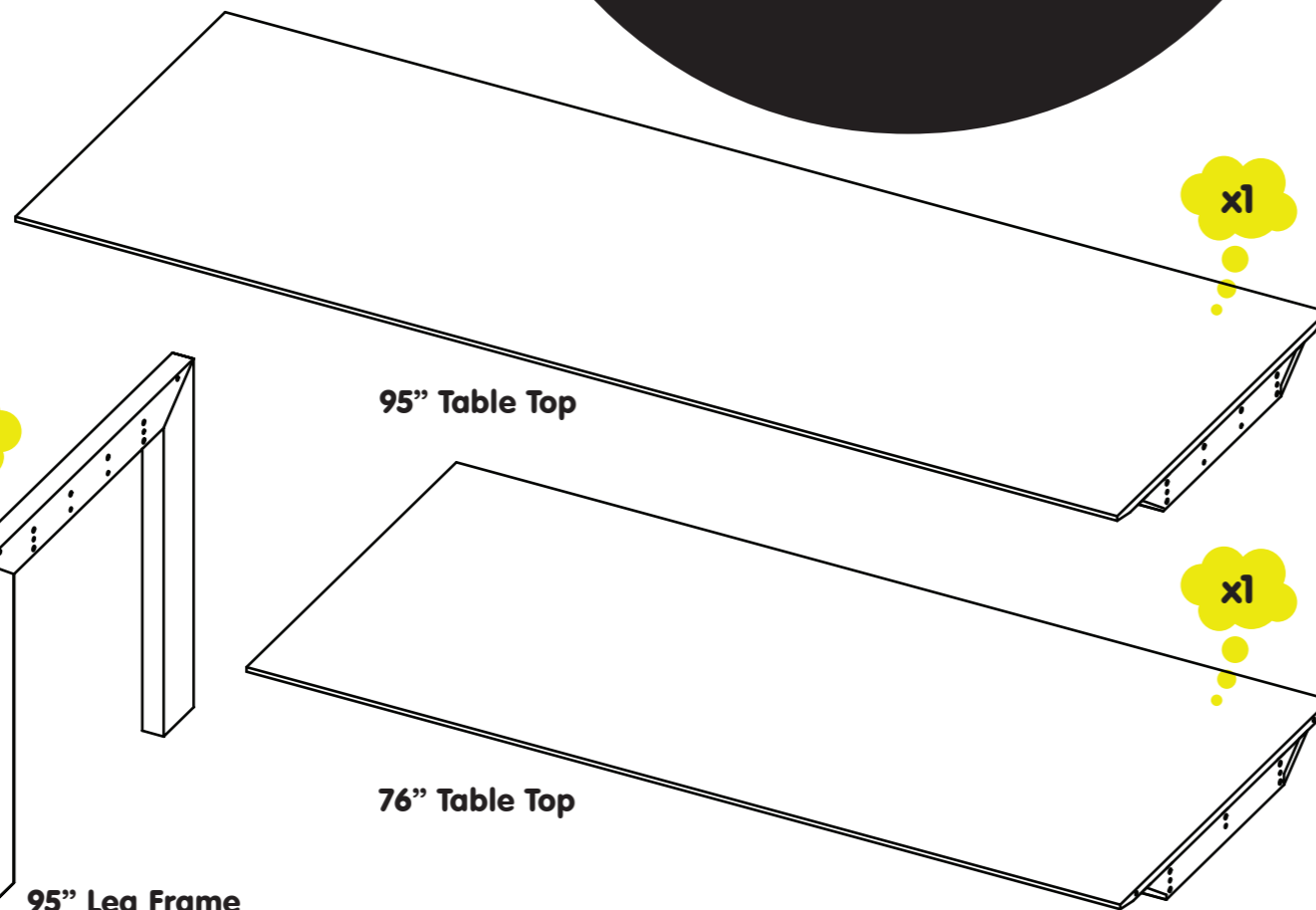
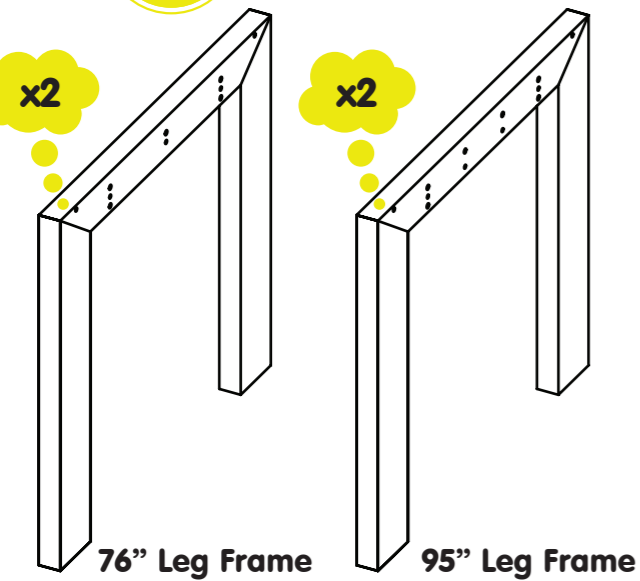
Clean with a slightly damp, soft cloth. To remove dirt and fingerprints, use a quality cleaner formulated for wood furniture. Wipe completely dry with a soft cloth in the direction of the wood grain.



### 76" HARDWARE



### PARTS



### 95" HARDWARE

