

BLU
DOT

SHALE

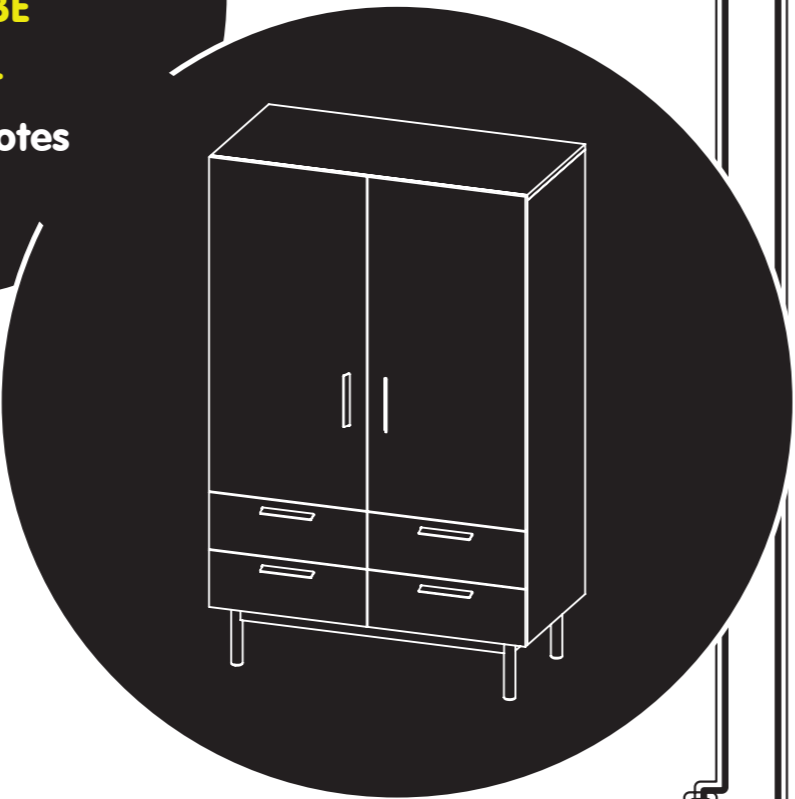
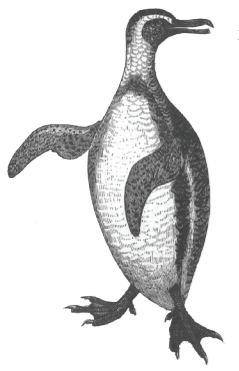
WARDROBE
&
CABINET

Assembly Notes

NO CURSING
REQUIRED.

CARE

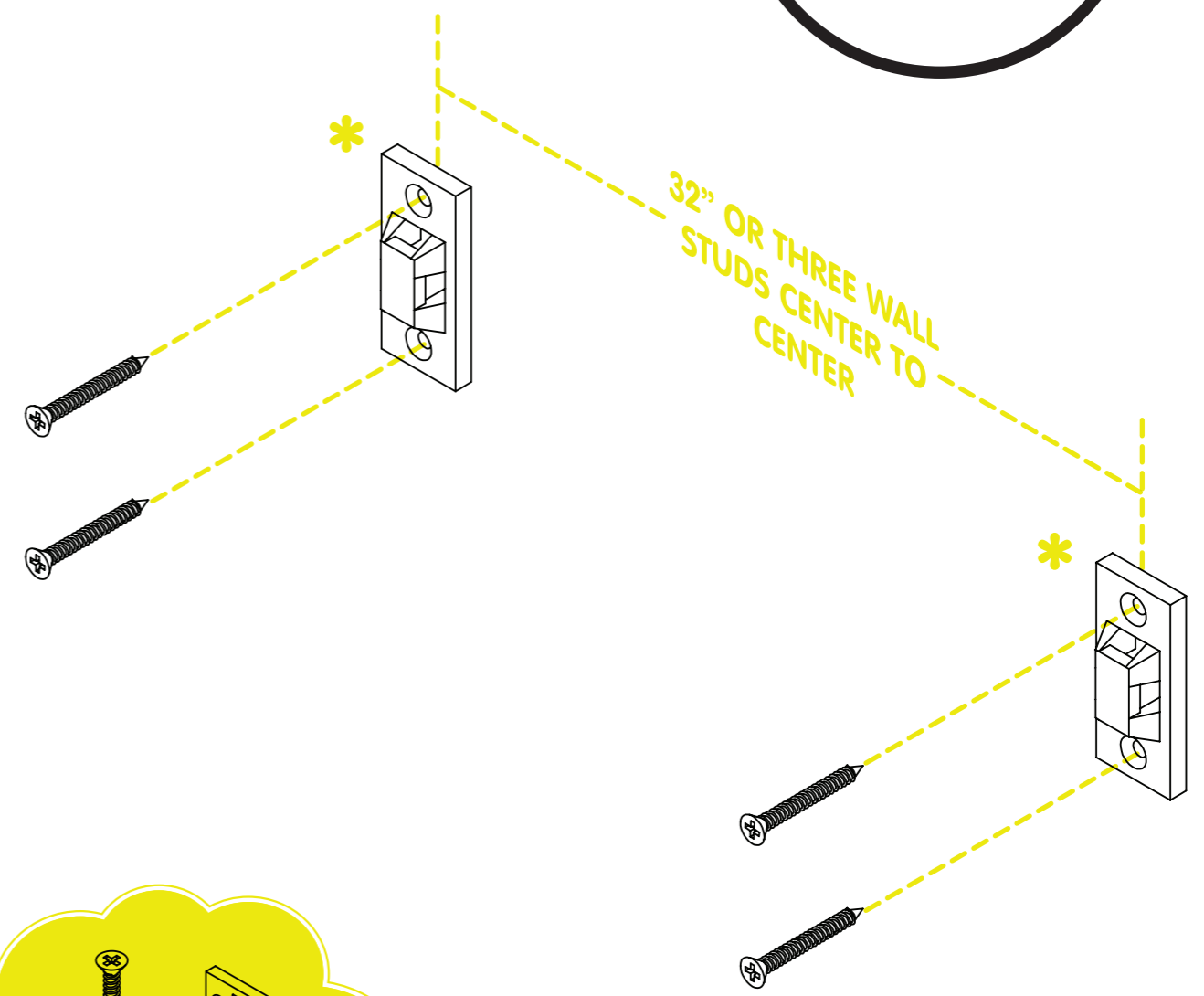
Clean with a slightly damp, soft cloth. To remove dirt and fingerprints, use a quality cleaner formulated for wood furniture. Wipe completely dry with a soft cloth in the direction of the wood grain.



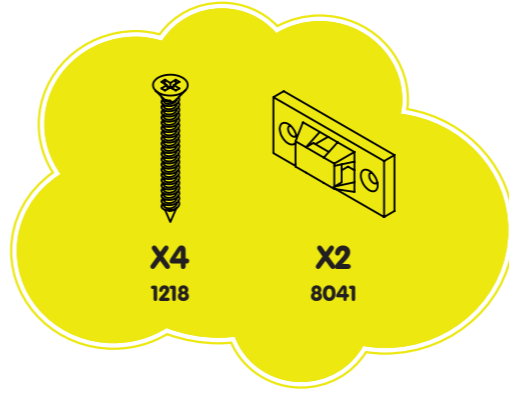
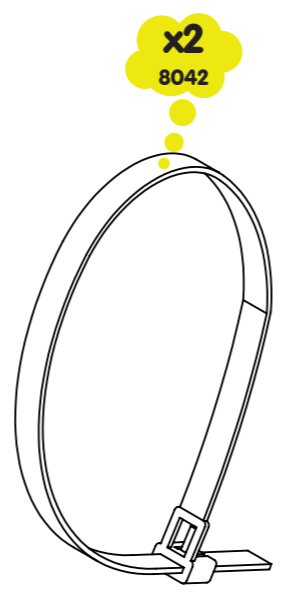
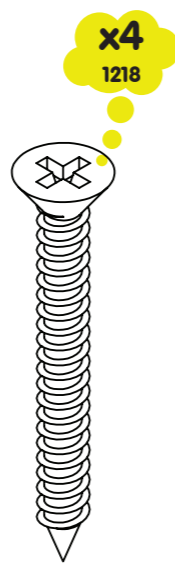
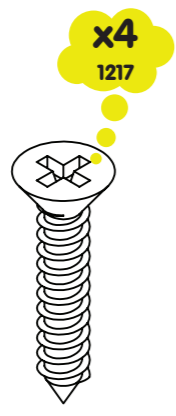
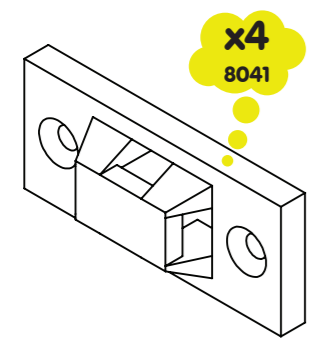
1

* Measure product height, anti-tip brackets should be installed 1" below top panel. Install as shown with recommended hardware.

THOUGH FASTENERS ARE PROVIDED, CONSULT YOUR LOCAL HARDWARE PROFESSIONAL TO DETERMINE THE HARDWARE BEST SUITED FOR YOUR TYPE OF WALL..

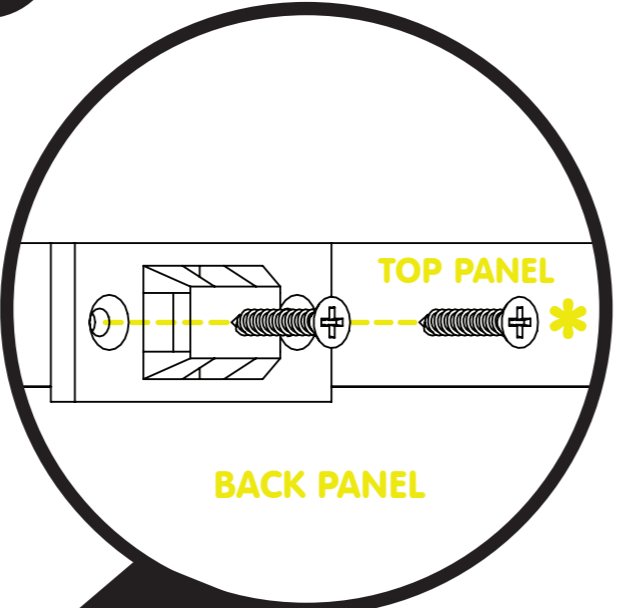


HARDWARE

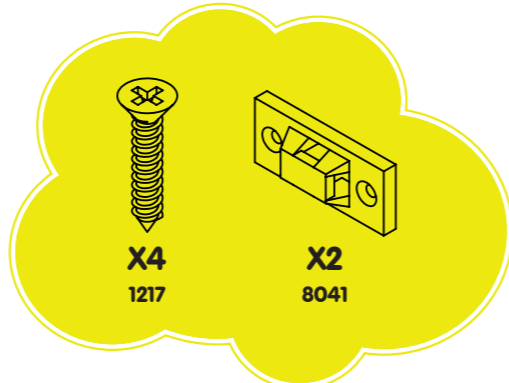
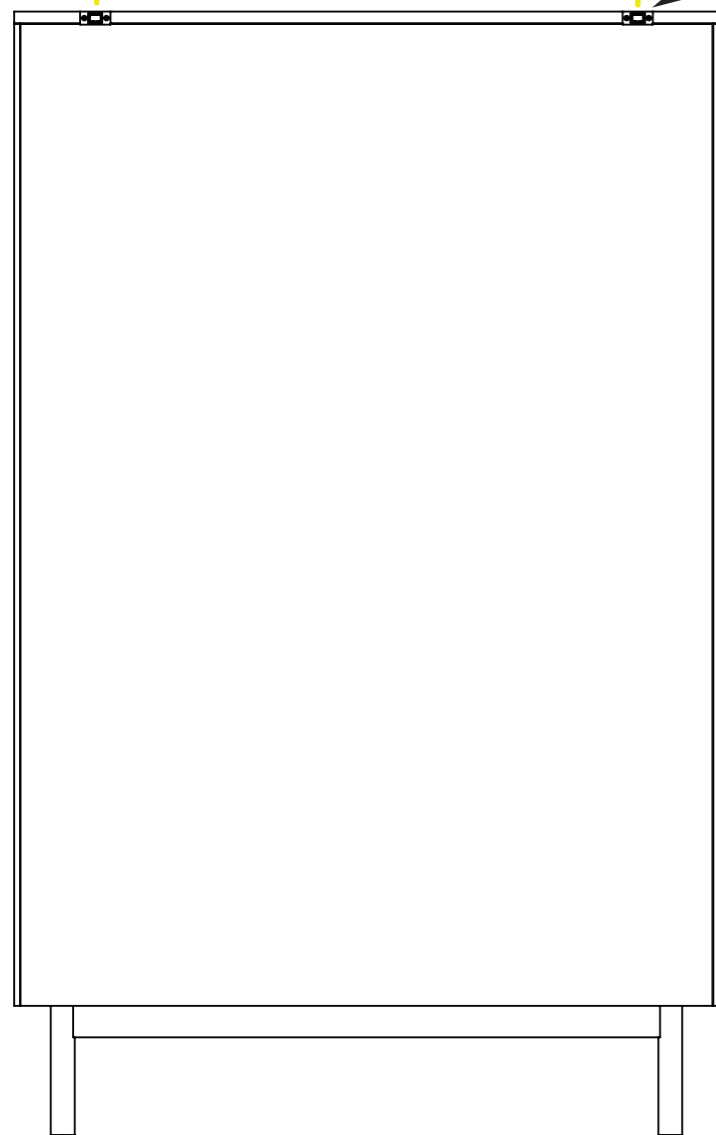


2

* Install anti-tip brackets to product as shown. Brackets must be installed to top panel versus back panel. In order to prevent cracking, it is recommended to mark hole locations and drill pilot holes using a 3/32" drill bit.

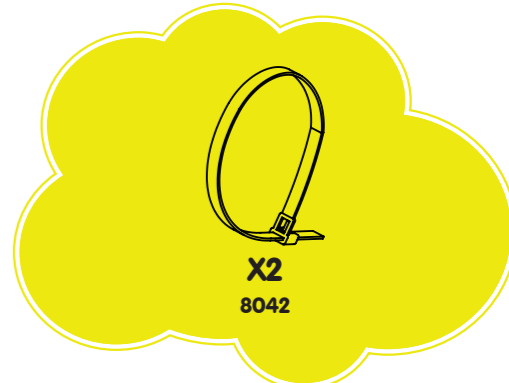
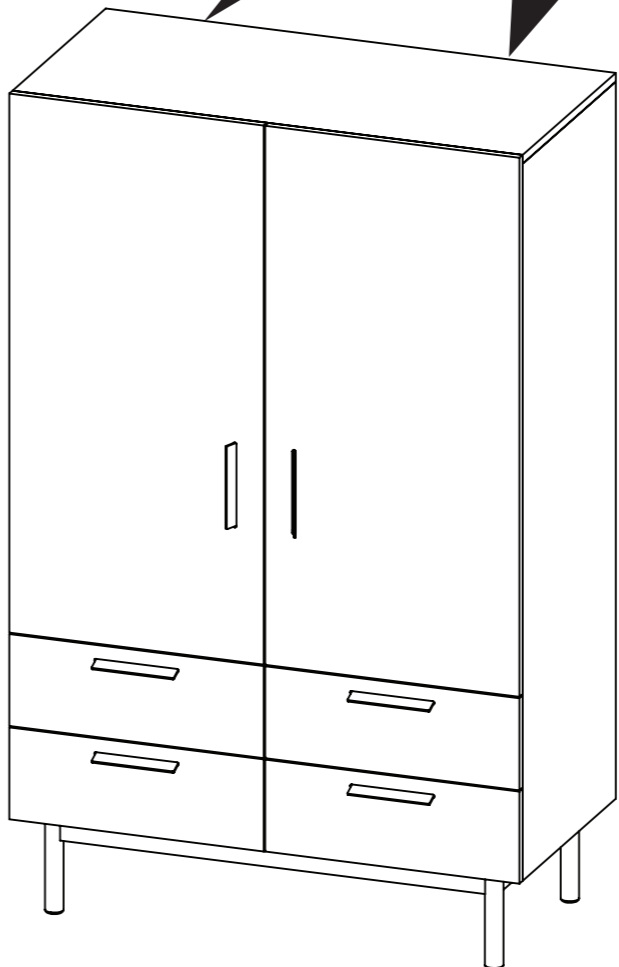
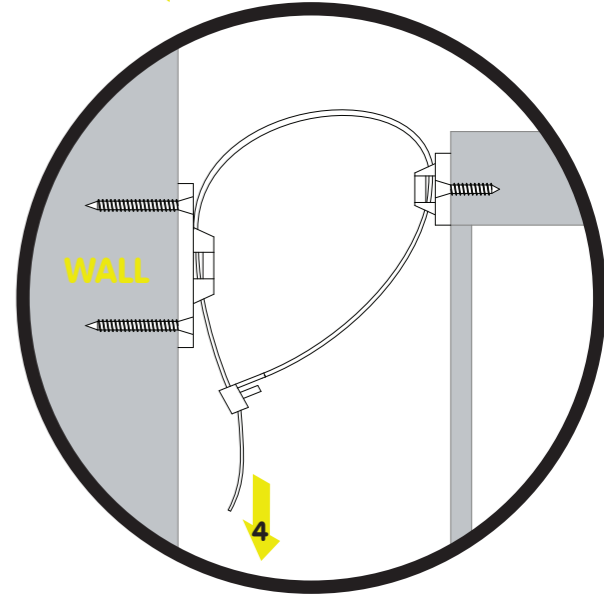
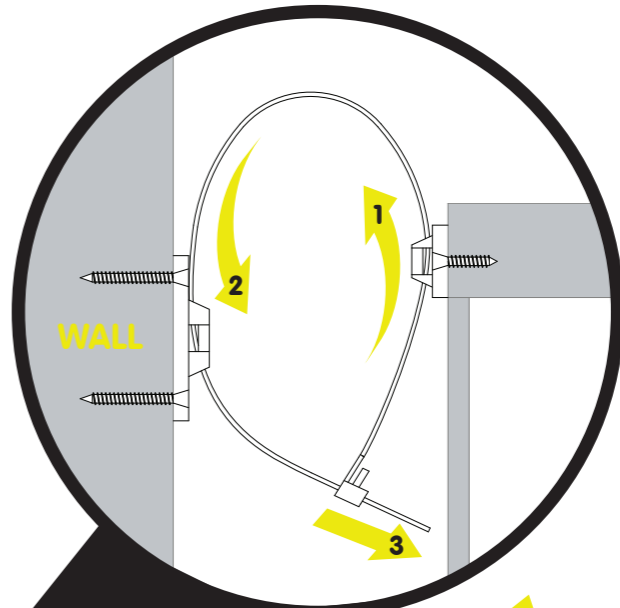


32" OR THREE WALL STUDS CENTER TO CENTER

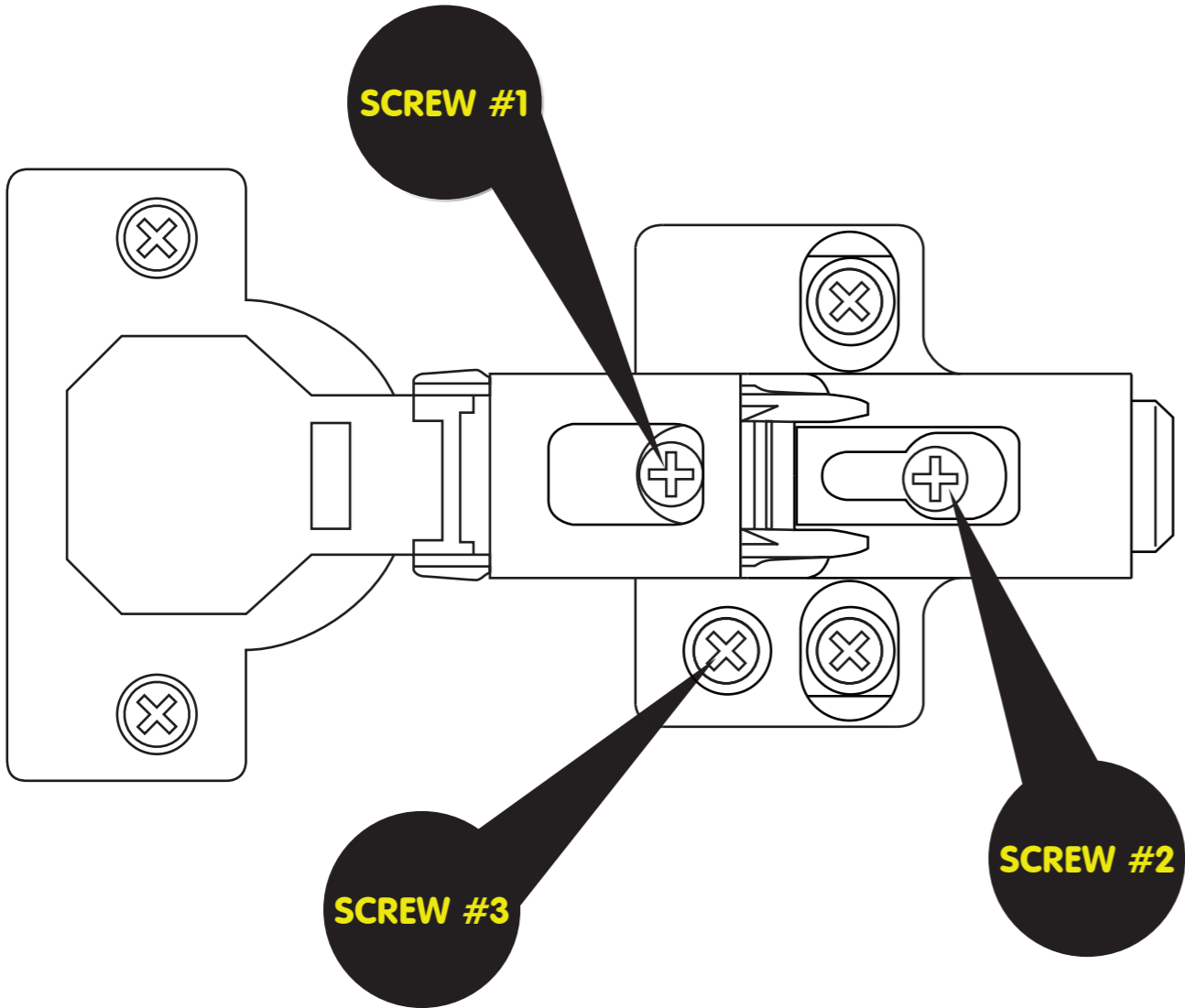


3

Install anti-tip straps as shown. Be sure to tighten straps before using product.



DOOR ALIGNMENT



HINGES WORK IN UNISON WITH ONE ANOTHER, MEANING IF YOU ADJUST ONE HINGE CHANCES ARE YOU WILL HAVE TO ADJUST ALL THE HINGES. THINK OF IT AS A BALANCING ACT BETWEEN THE DOOR AND ITS HINGES.

