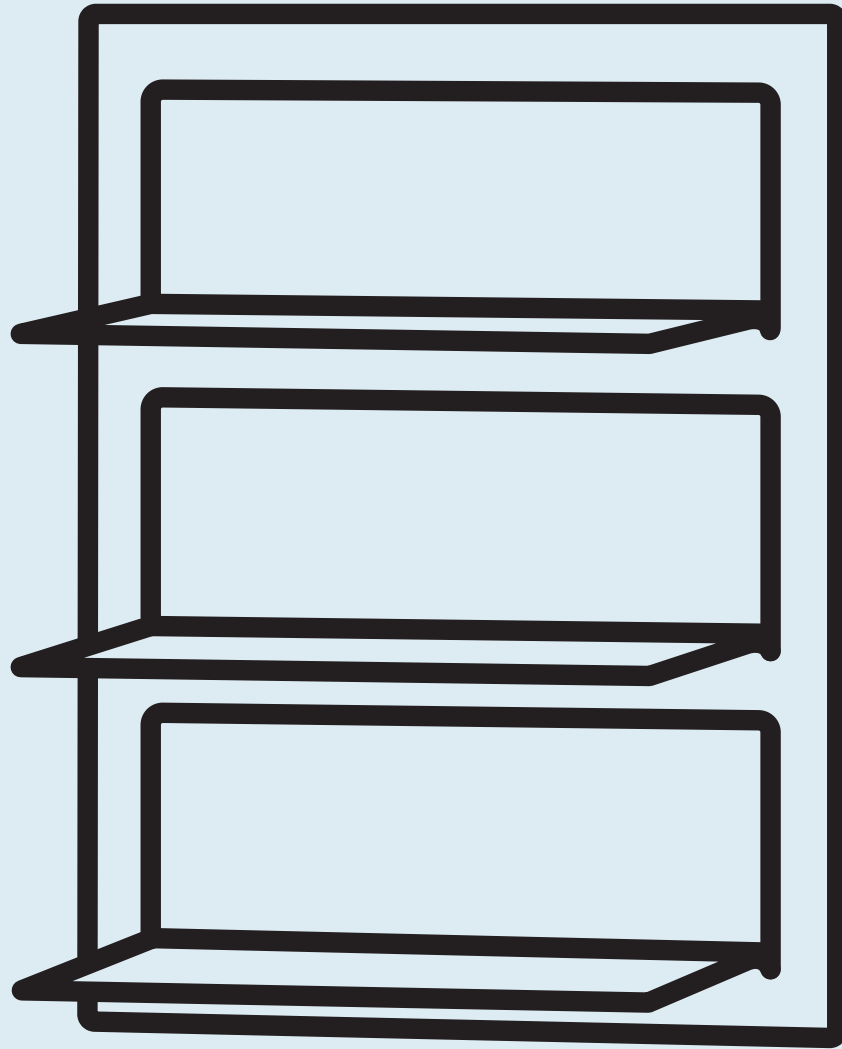
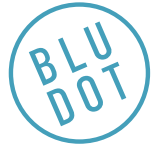


Shwall Shelf

DESIGNED IN 2022

ASSEMBLY NOTES | REV 00



NEED A HAND?

Contact us at service@bludot.com or **844.425.8368** for assistance.

@BLUDOT

We design all our pieces in our Minneapolis studio. Follow along on Instagram for some sneak peeks into the process.

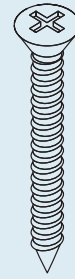
Parts & Hardware



QTY

3

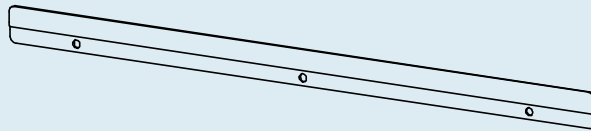
Pt. 8052



QTY

3

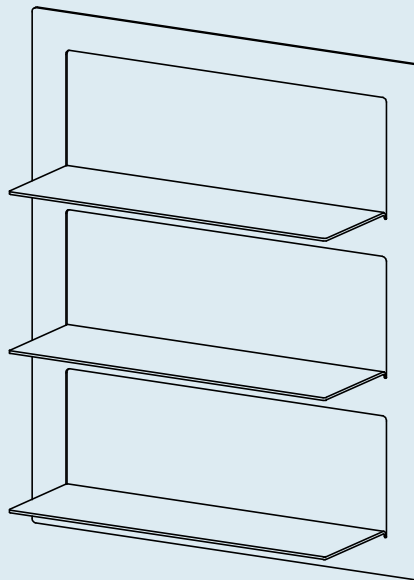
Pt. 1226



QTY

1

Wall Cleat



QTY

1

Shelf

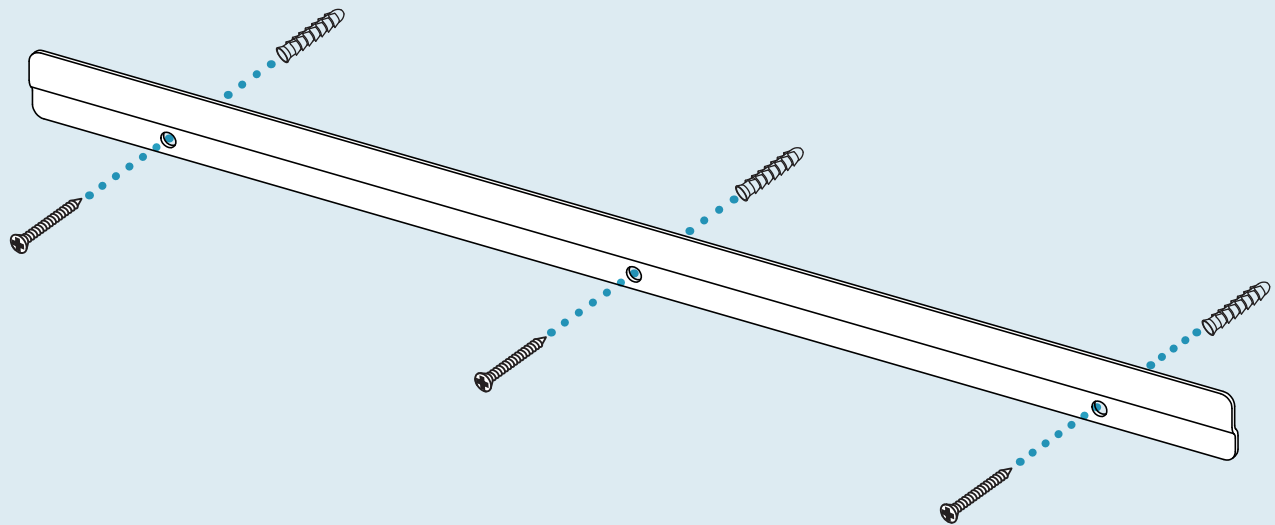
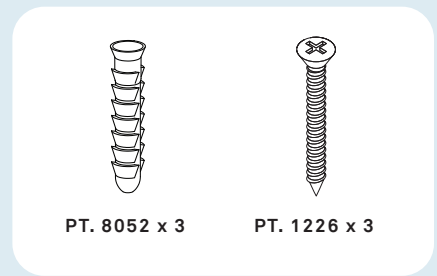
Step 01

MOUNT THE WALL CLEAT.

We recommend having a second person assist with product assembly.

Wall anchors and fasteners are included for installation. Please consult your local hardware professional to determine the hardware best suited for your wall type.

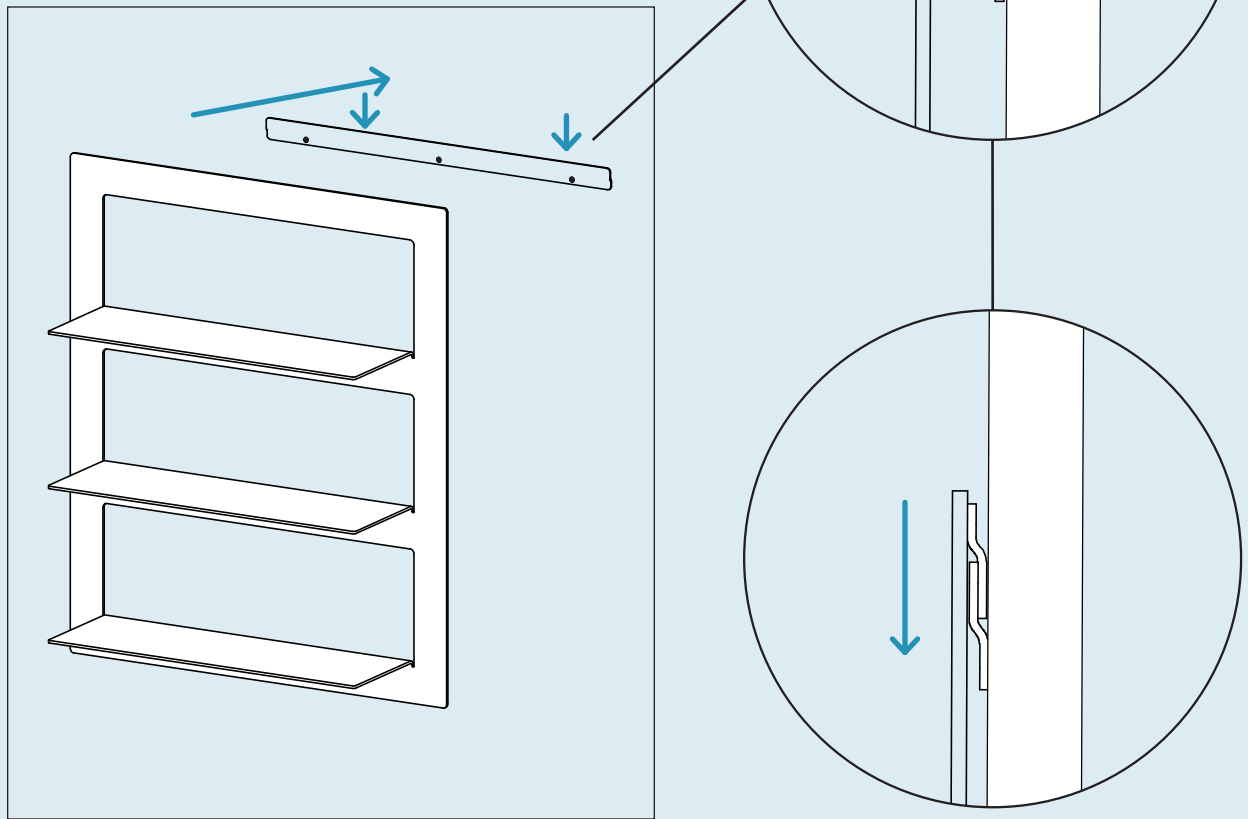
Position the wall cleat at the desired location. Use a level to help align the bracket horizontally and mark the location of the holes. If the mounting location is not located on a stud, drill a **5/16"** hole in the marked locations and insert the wall anchor. If the mounting location is located on a stud, the step of installing an anchor may be skipped. Instead, drill a **1/8"** pilot hole in the marked position.



Step 02

HANGING THE SHELF.

Align the shelf cleat with the wall cleat. Place the shelf against the wall with the shelf cleat above the wall cleat. Gently slide the shelf down to engage the cleat.



Additional Information

CLEAN

Clean with a slightly damp, soft cloth. To remove dirt and fingerprints, use a quality cleaner formulated for metal furniture. Wipe completely dry with a soft cloth.