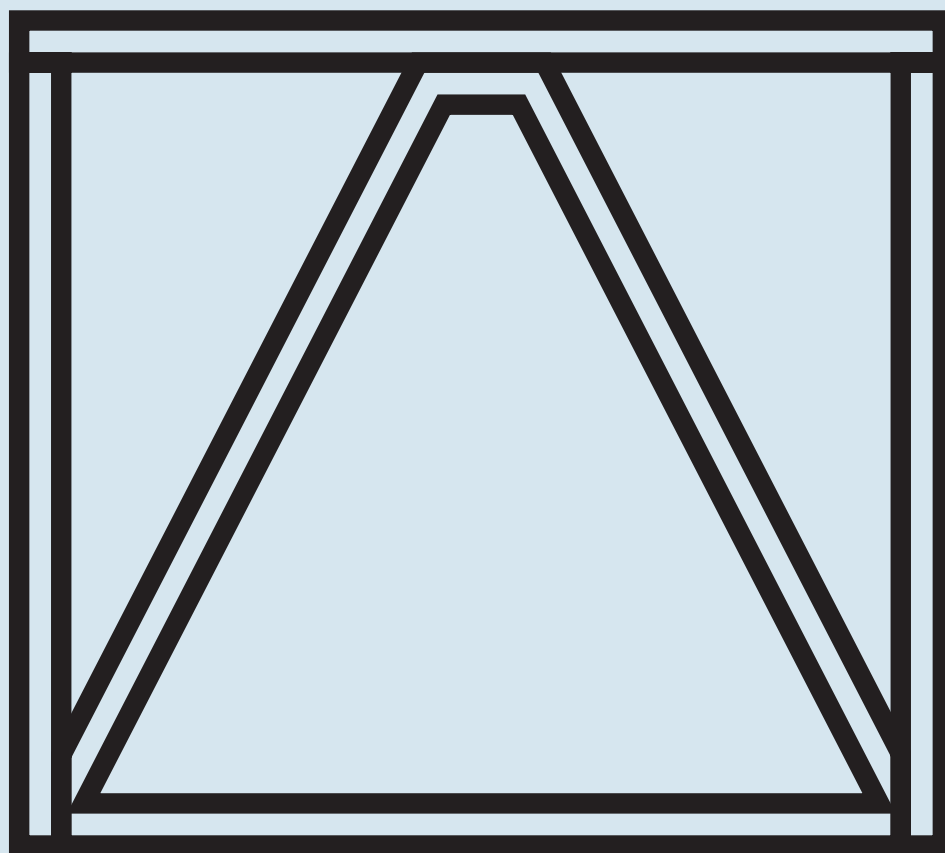
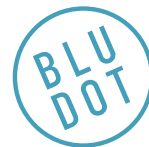


# Strut in Wood

DESIGNED IN 2005

ASSEMBLY NOTES | REV 02



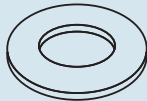
NOW 87.3% WARMER THAN ORIGINAL RECIPE STRUT.

Structure and design are one with the Strut, a confident presence in any room.

NEED A HAND?

Contact us at [service@bludot.com](mailto:service@bludot.com) or **844.425.8368** for assistance.

# Parts & Hardware

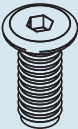


QTY

10

QTY

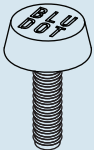
Pt. 3009



10

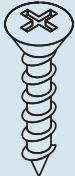
QTY

Pt. 1074



4

Pt. 4022



QTY

10

QTY

Pt. 1214



2

QTY

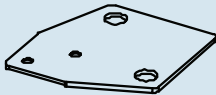
Pt. 1615



1

Pt. 9017

# Parts & Hardware

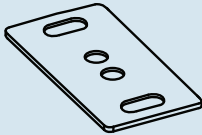


QTY

4

QTY

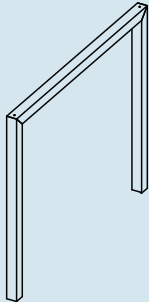
Leg Plate



1

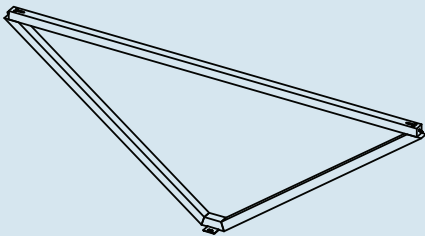
QTY

Leg Attachment



2

Leg

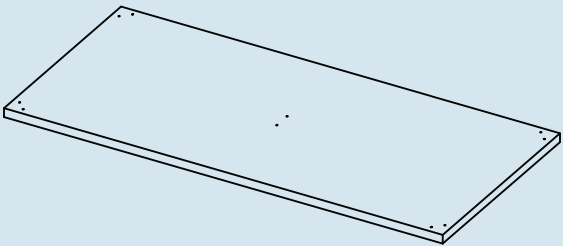


QTY

1

QTY

Support



1

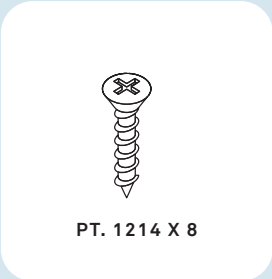
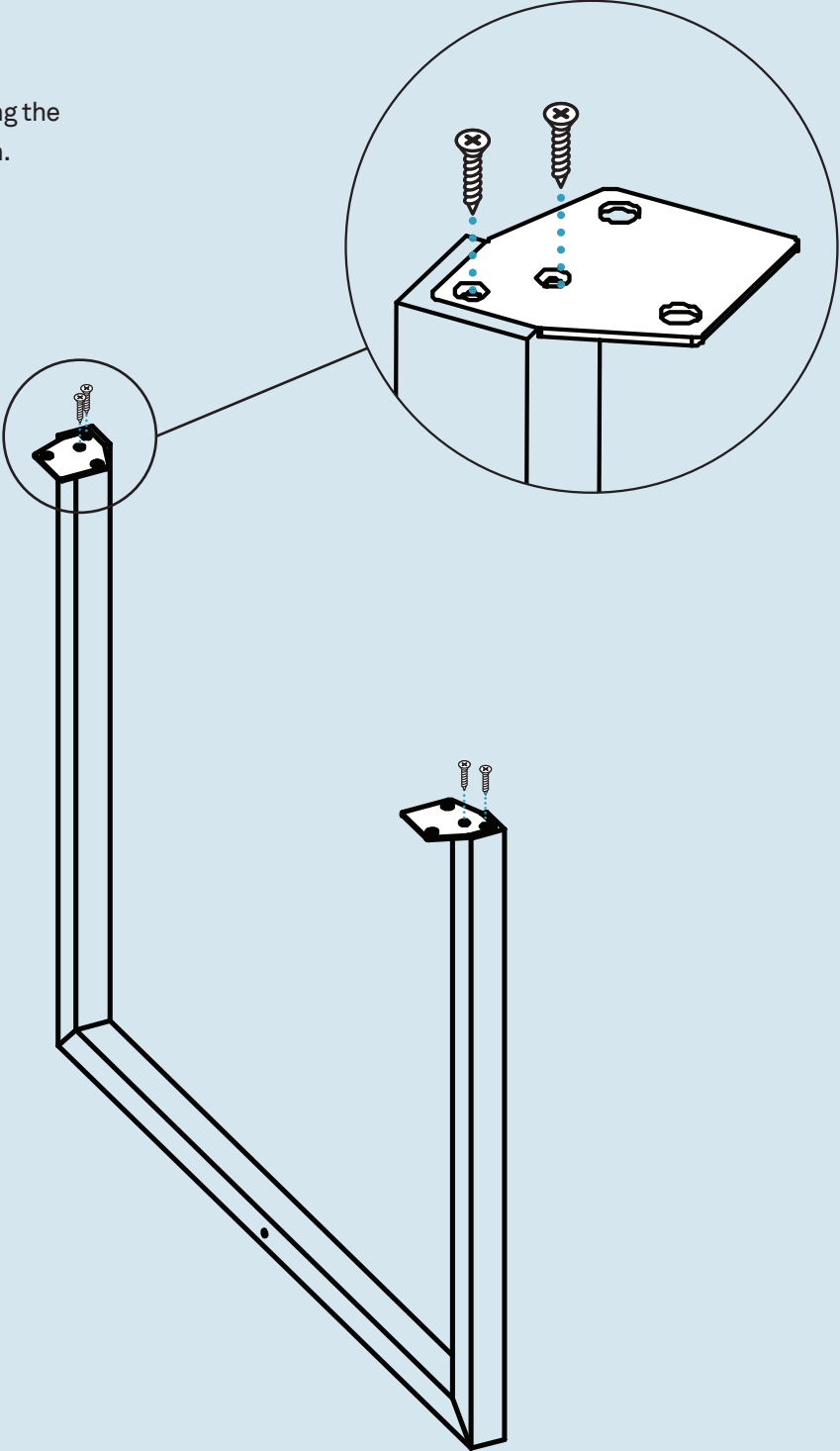
Top\*

\*Top shape and size varies by product.

# Step 01

ATTACH LEG PLATES.

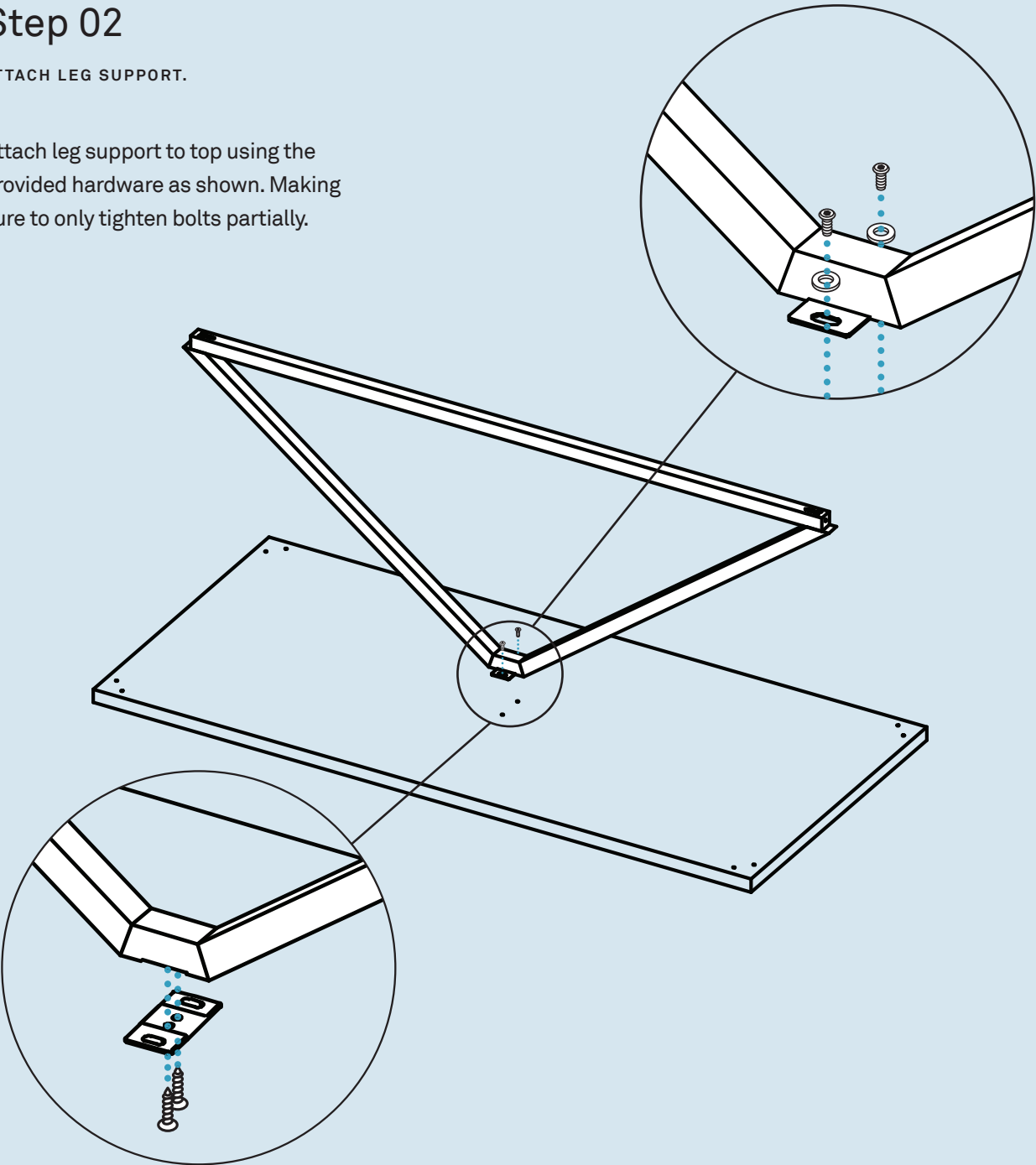
Attach leg plates to legs using the provided hardware as shown.



# Step 02

## ATTACH LEG SUPPORT.

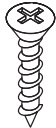
Attach leg support to top using the provided hardware as shown. Making sure to only tighten bolts partially.



PT. 3009 X 2



PT. 1074 X 2



PT. 1214 X 2



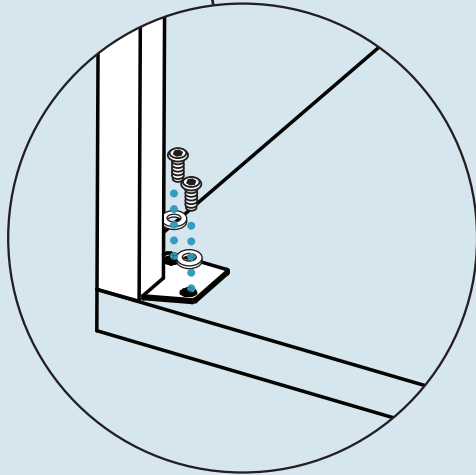
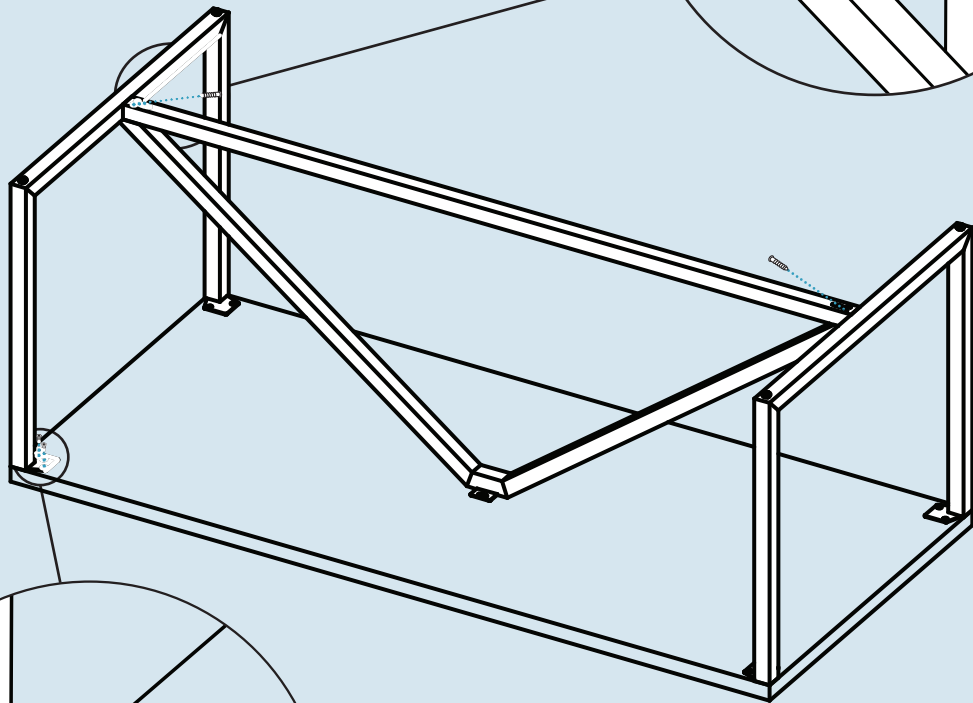
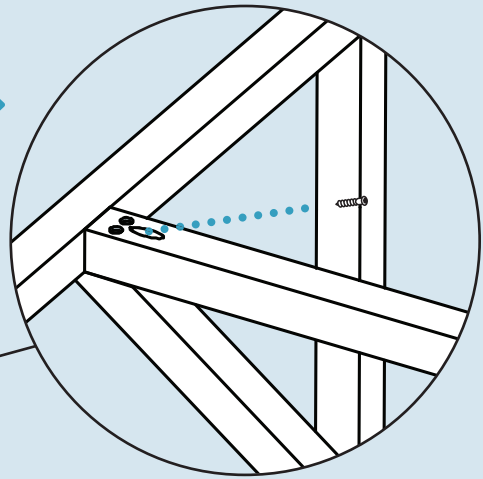
PT. 9017 X 1

# Step 03

## SECURE LEGS.

Secure legs using the provided hardware as shown, pressing parts together firmly.

Start Here →



← End Here



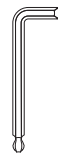
PT. 3009 X 8



PT. 1074 X 8



PT. 1615 X 2

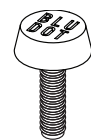
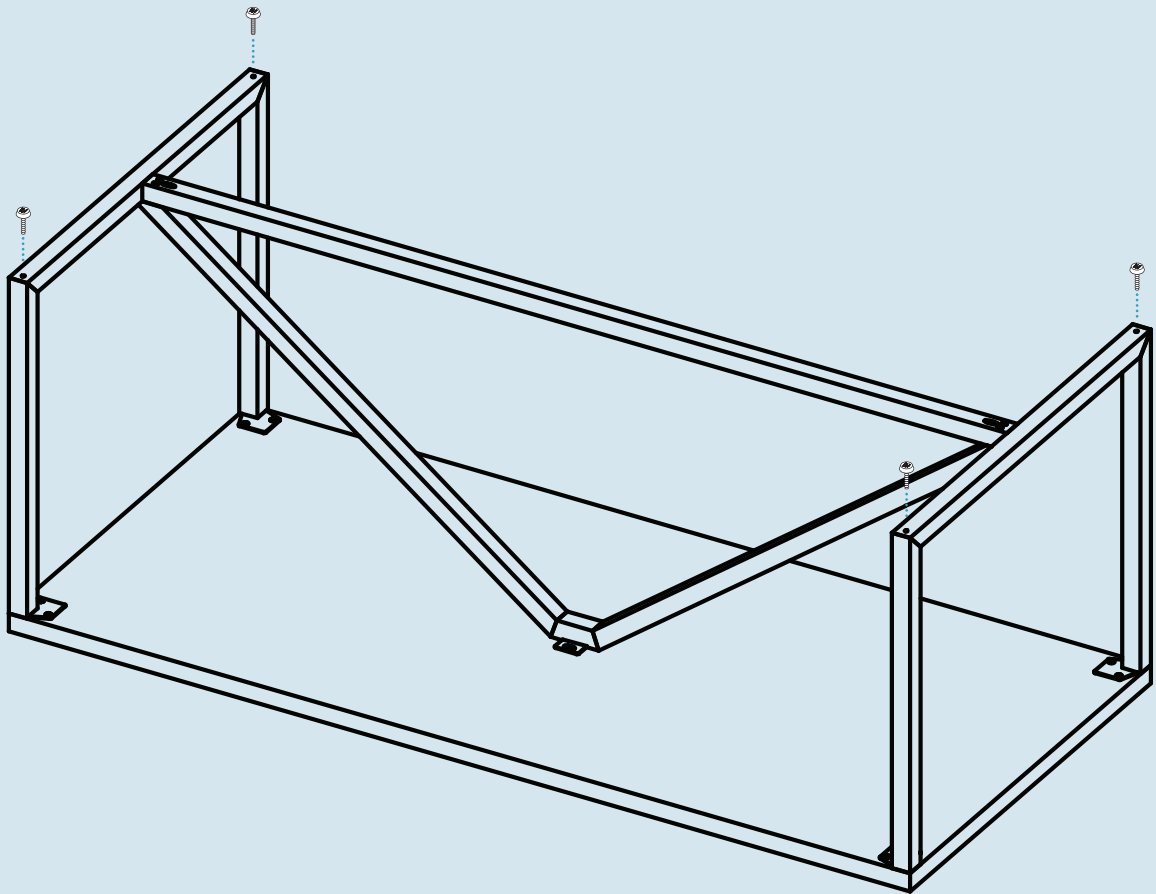


PT. 9017 X 1

# Step 04

## ATTACH FLOOR PROTECTORS.

Tighten all bolts and attach floor protectors using the provided hardware as shown.



PT. 4022 X 4

## Additional Information

### CLEAN

Clean with a slightly damp, soft cloth. To remove dirt and fingerprints, use a quality cleaner formulated for wood furniture. Wipe completely dry with a soft cloth in the direction of the wood grain.

