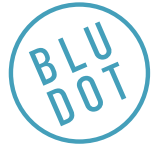
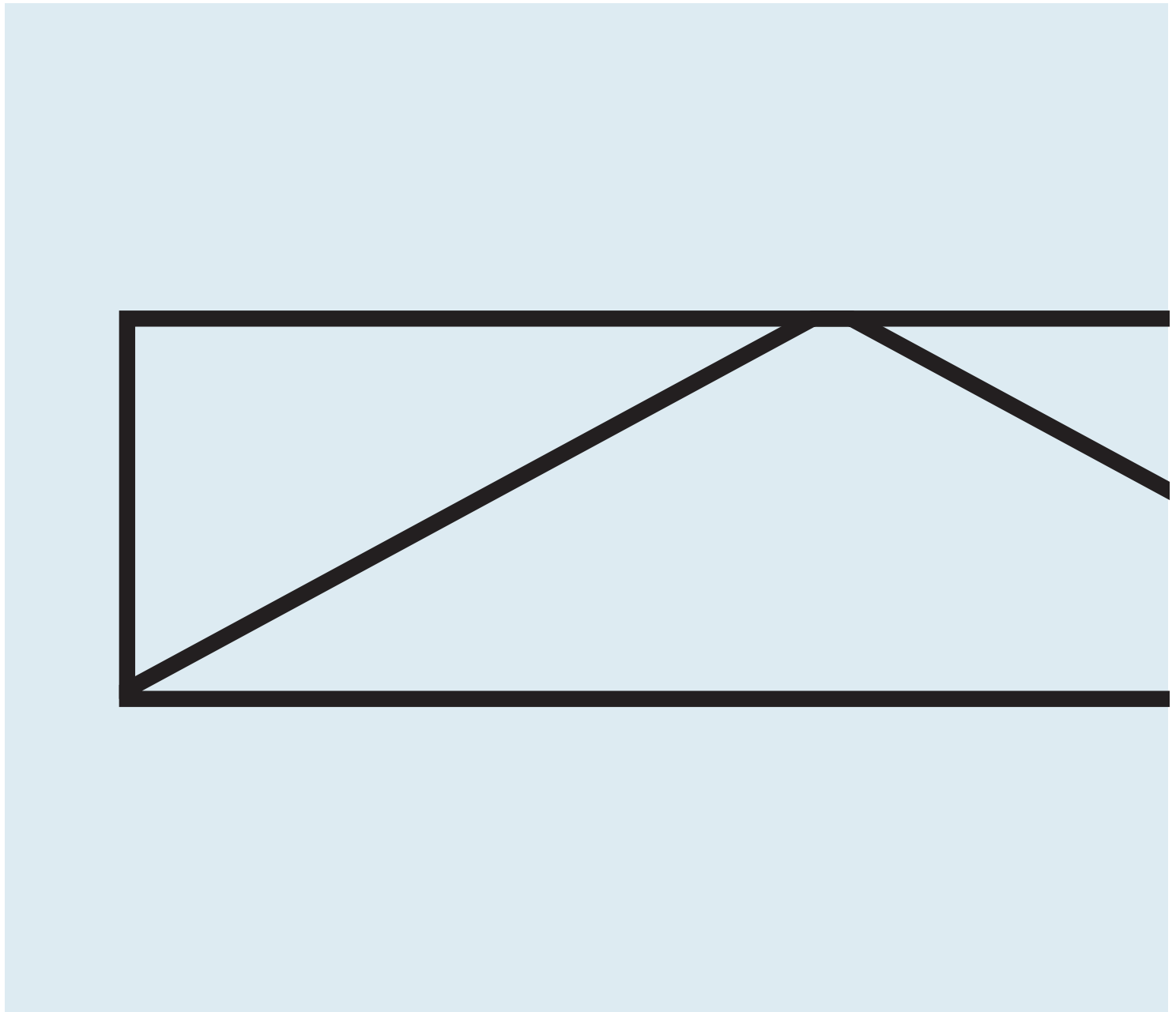


Strut Occasional Tables



DESIGNED IN 2005

ASSEMBLY NOTES | REV 03



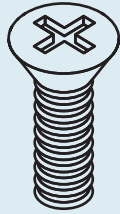
STILL FRESH.

Structure and design are one with the Strut. A proud stance for any gathering.

NEED A HAND?

Contact us at service@bludot.com or **844.425.8368** for assistance.

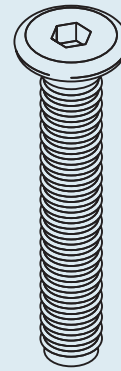
Parts & Hardware



QTY

4

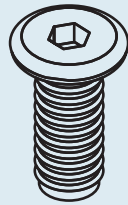
Pt. 1031



QTY

1

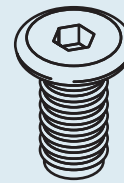
Pt. 1693



QTY

2

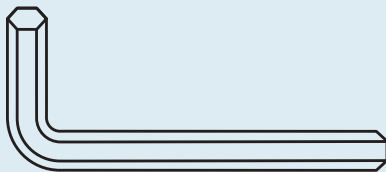
Pt. 1083



QTY

8

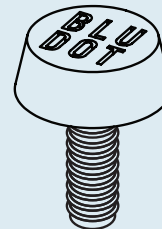
Pt. 1068



QTY

1

Pt. 9026

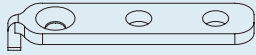


QTY

4

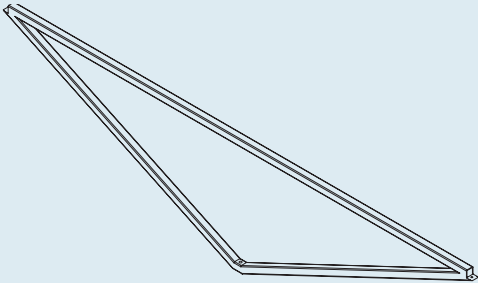
Pt. 4024

Parts & Hardware



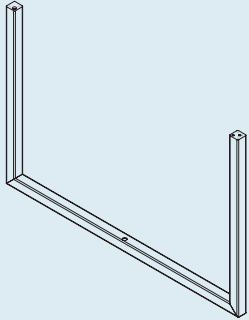
QTY _____ 4

Leg Plate



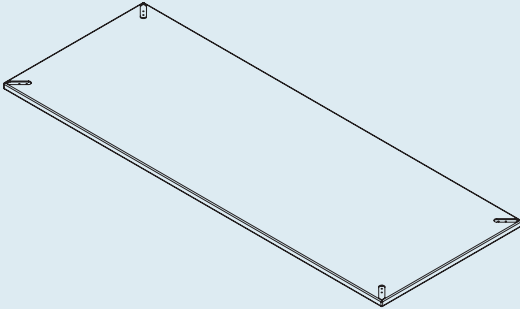
QTY _____ 1

Support



QTY _____ 2

Leg



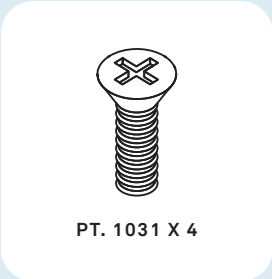
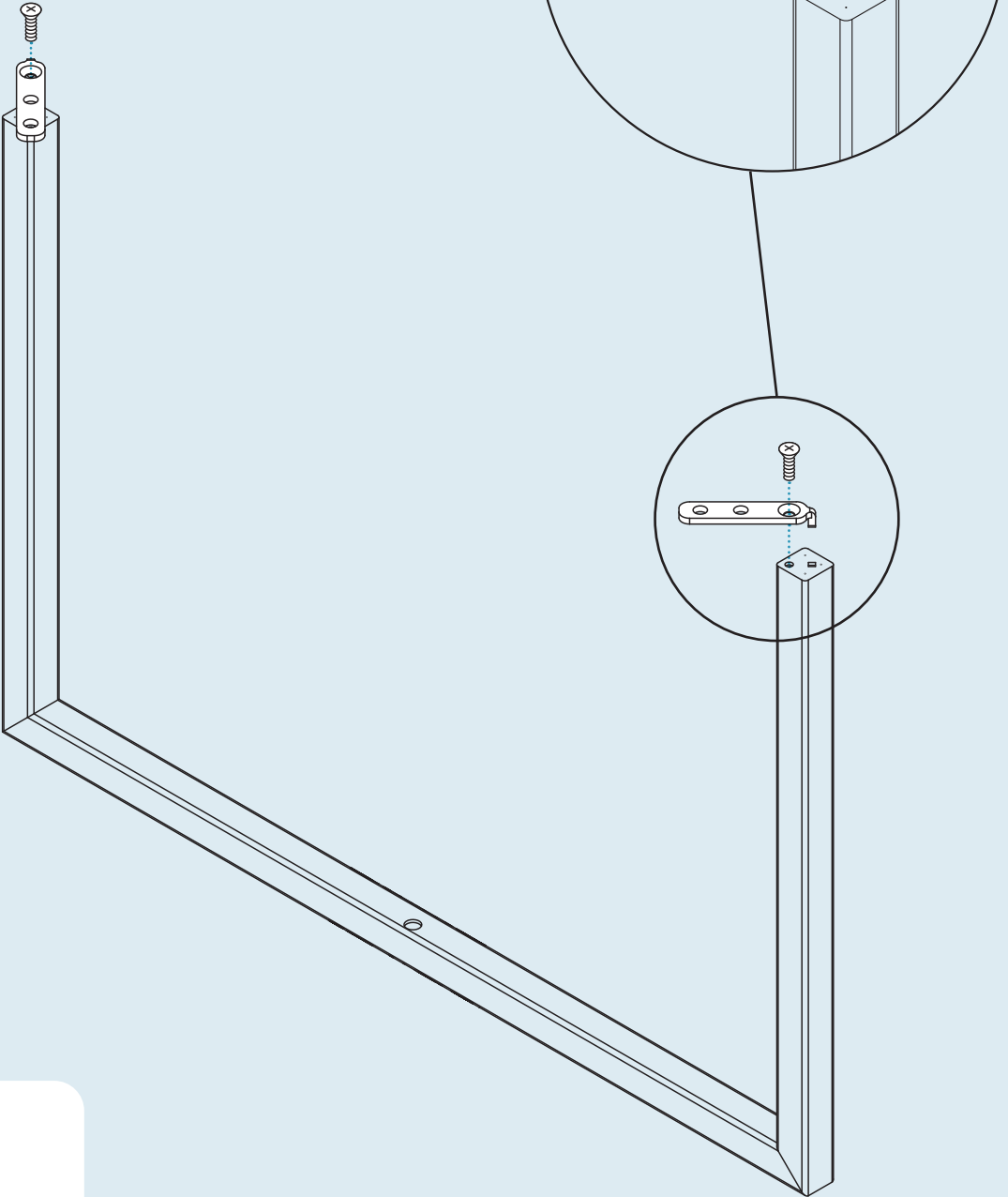
QTY _____ 1

Top

Step 01

ATTACH LEG PLATES.

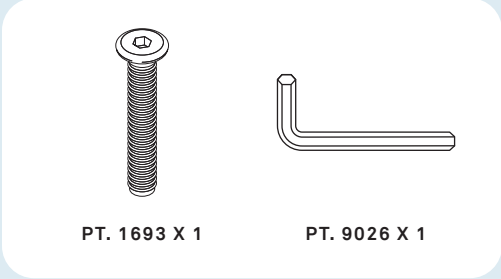
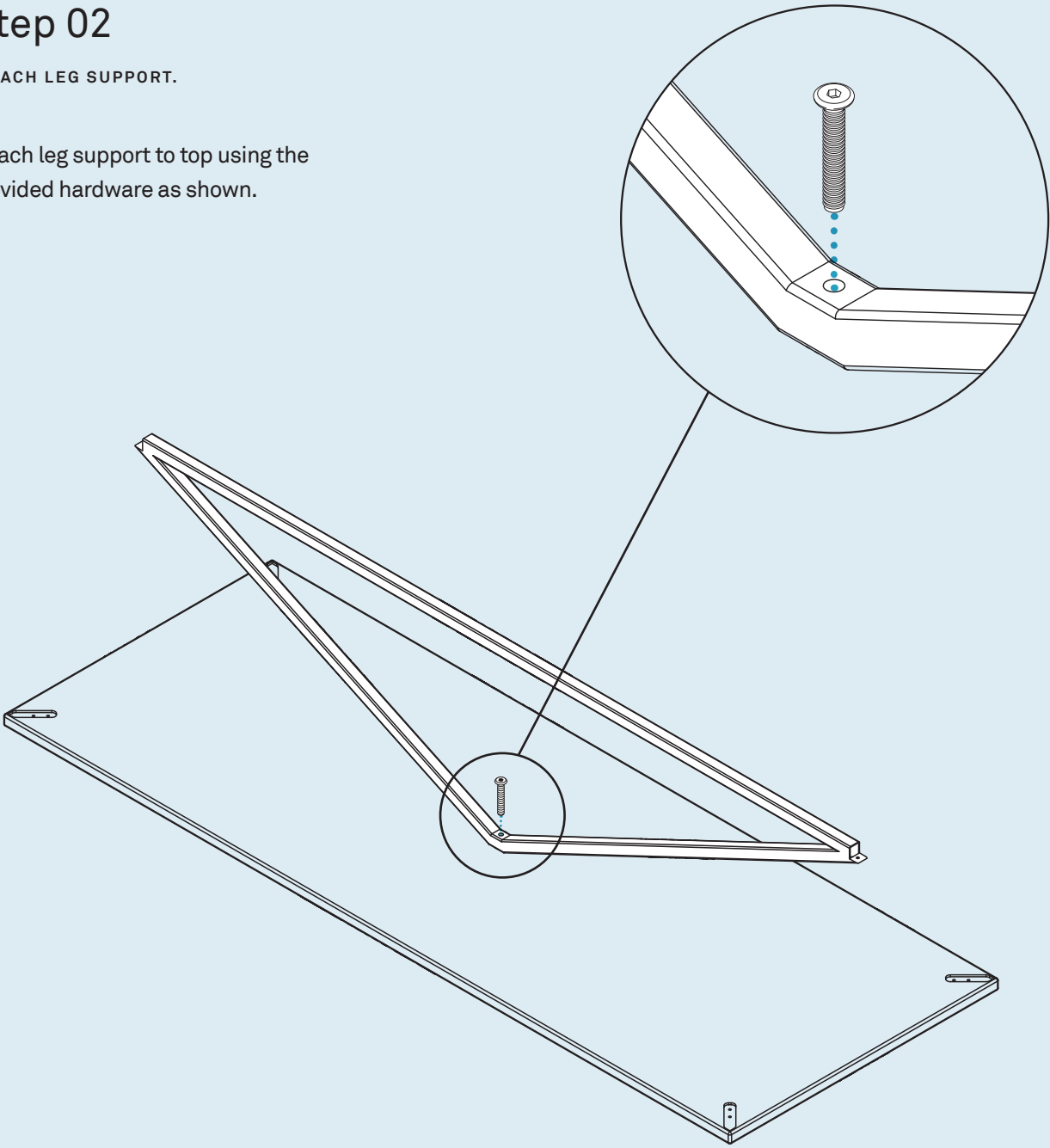
Attach leg plates to legs using the provided hardware as shown.



Step 02

ATTACH LEG SUPPORT.

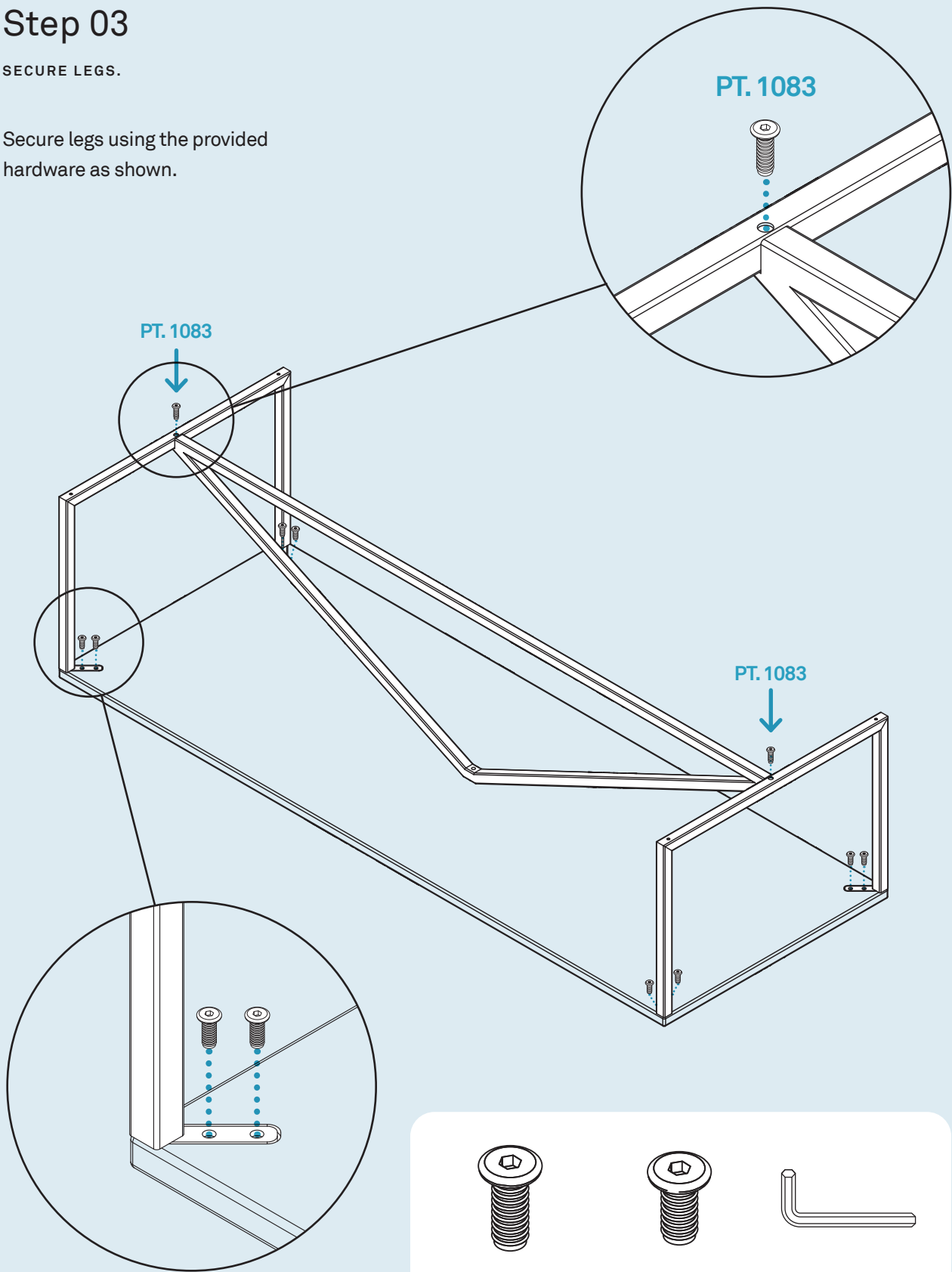
Attach leg support to top using the provided hardware as shown.



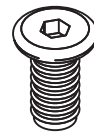
Step 03

SECURE LEGS.

Secure legs using the provided hardware as shown.



PT. 1083 X 2



PT. 1068 X 8



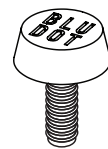
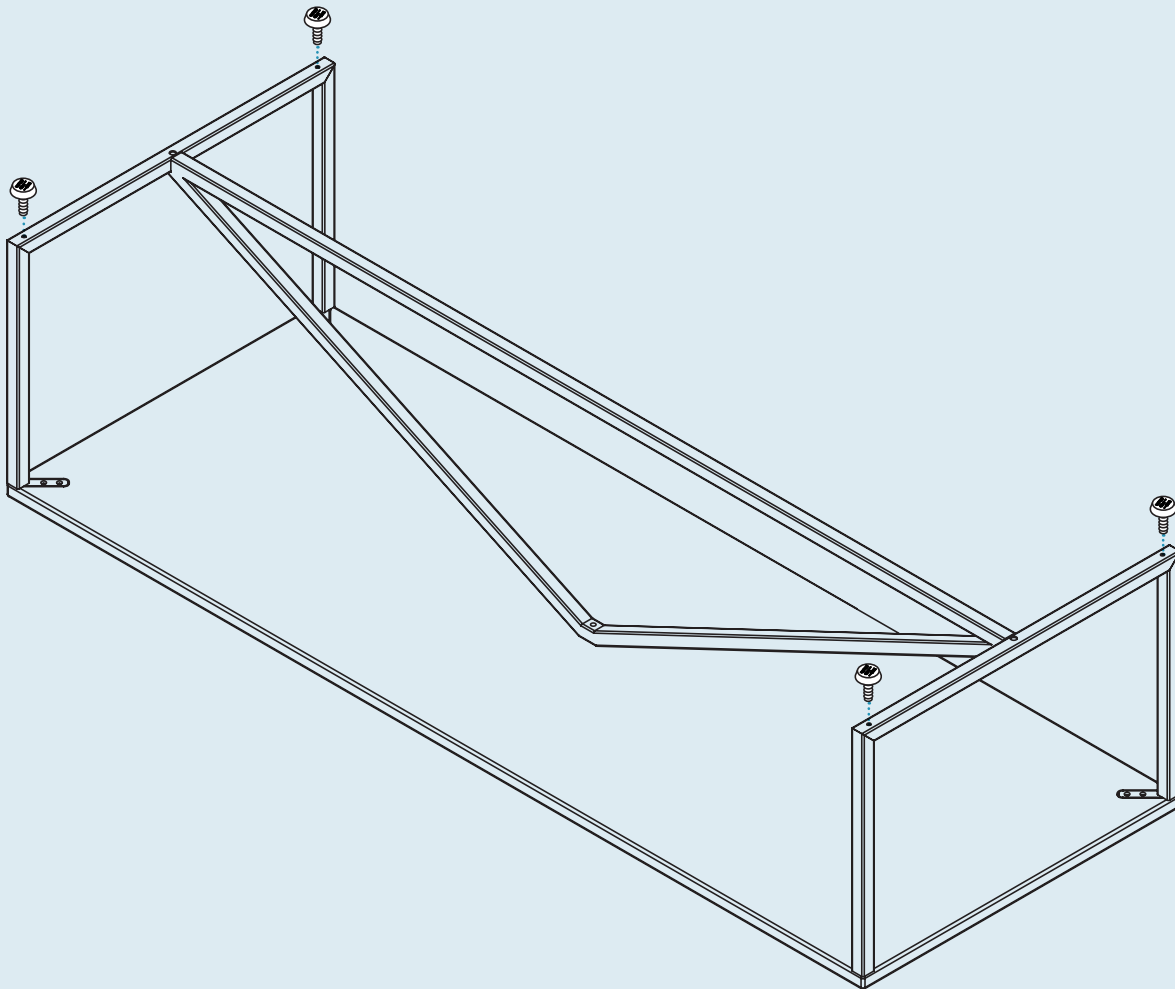
PT. 9026 X 1

Step 04

INSTALL FLOOR GLIDES.

Attach floor glides to the legs as shown. The glides can be adjusted by rotating them. Ensure table is level prior to first use.

Periodically tighten the bolts to ensure that the connections remain strong over time.



PT. 4024 X 4

Additional Information

CLEAN

Clean with a slightly damp, soft cloth. To remove dirt and fingerprints, use a quality cleaner formulated for painted furniture. Wipe completely dry with a soft cloth.

