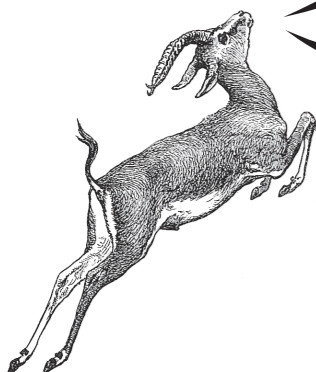
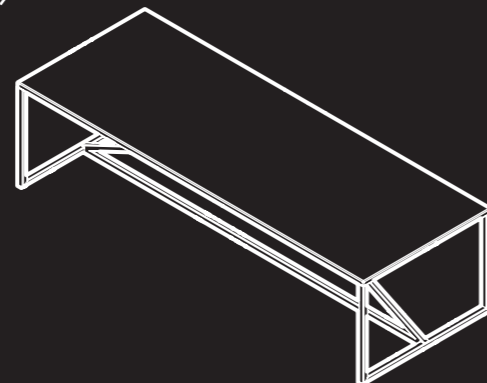


BLU
DOT

STRUT

ASSEMBLY NOTES

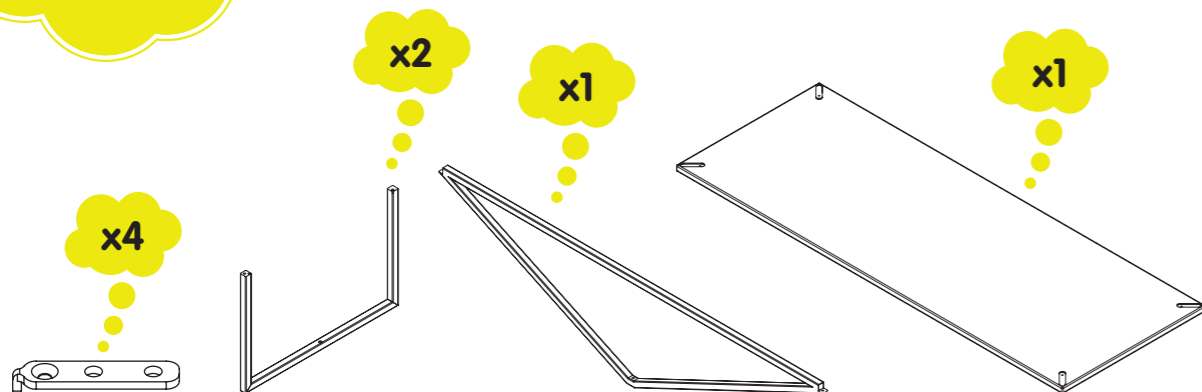
FOUR. SQUARE.



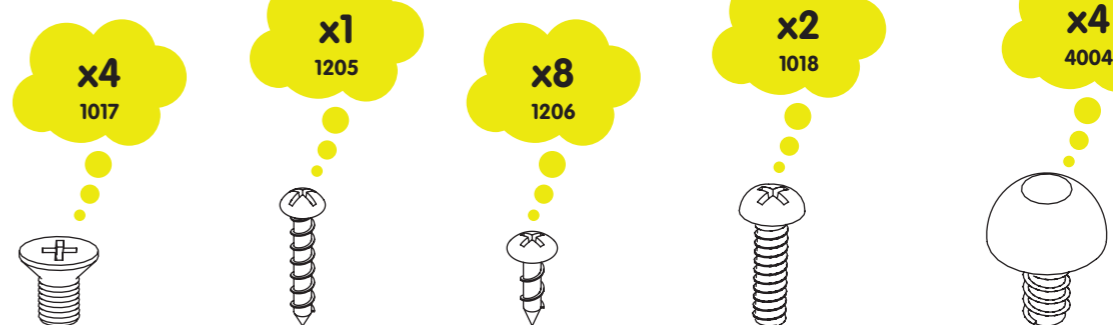
CARE

Clean with a soft cloth or sponge using a mild detergent, such as dish soap, and warm water. Wipe completely dry with a soft cloth.

PARTS



HARDWARE

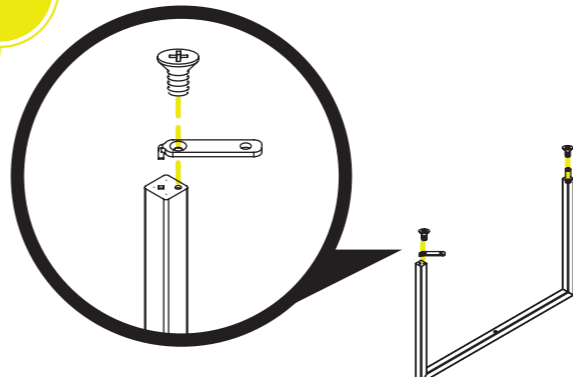


1

Assemble on carpet or protective mat



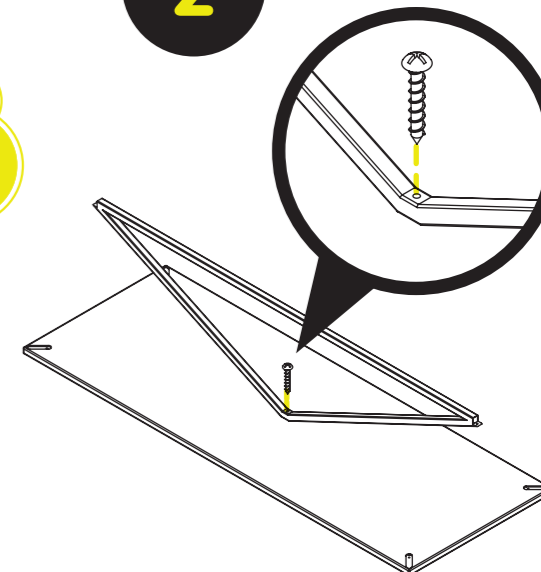
x4
1017



2



x1
1205



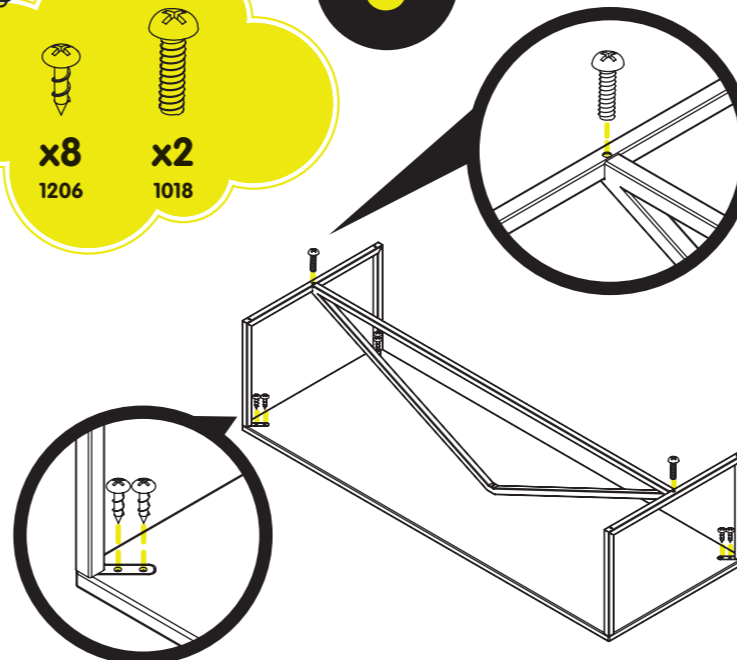
3



x8
1206



x2
1018



4



x4
4004

