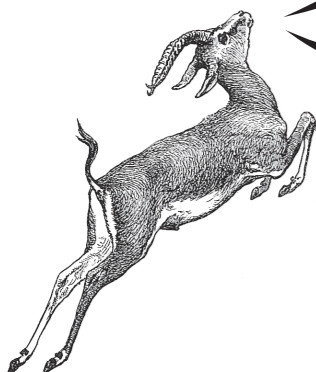
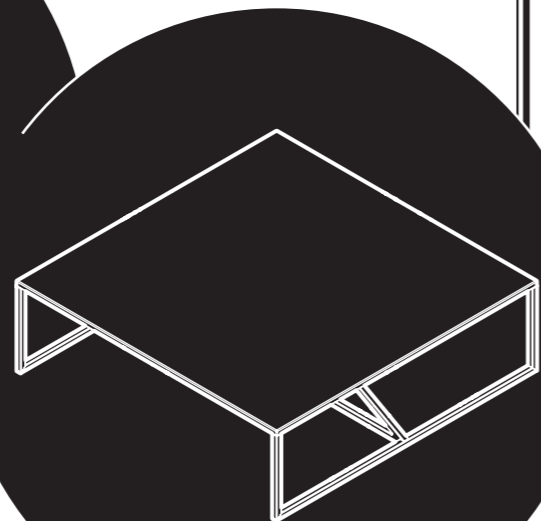


BLU  
DOT

# STRUT

ASSEMBLY NOTES

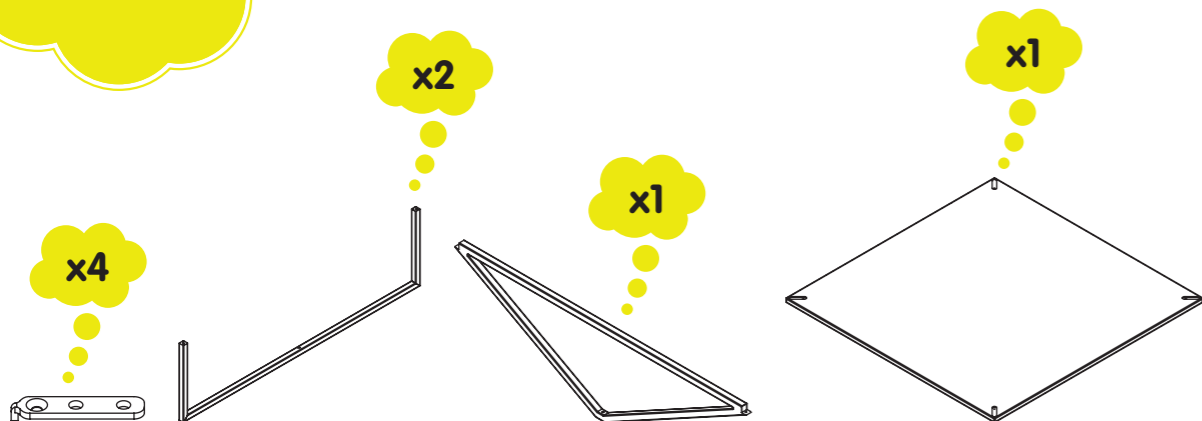
FOUR. SQUARE.



## CARE

Clean with a soft cloth or sponge using a mild detergent, such as dish soap, and warm water. Wipe completely dry with a soft cloth.

## PARTS

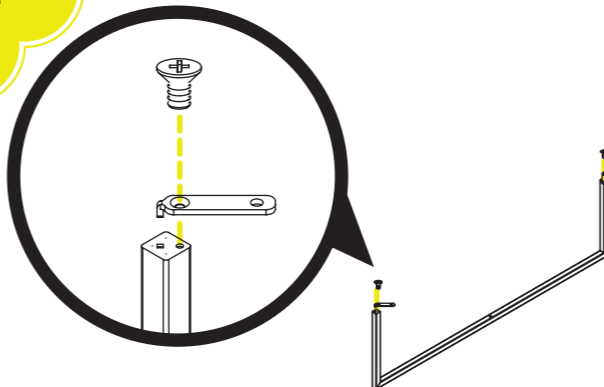


1

Assemble on carpet or protective mat



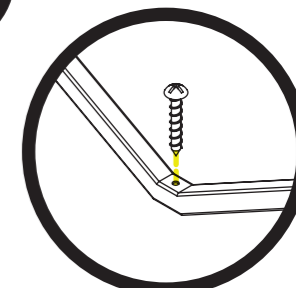
x4  
1017



2



x1  
1205



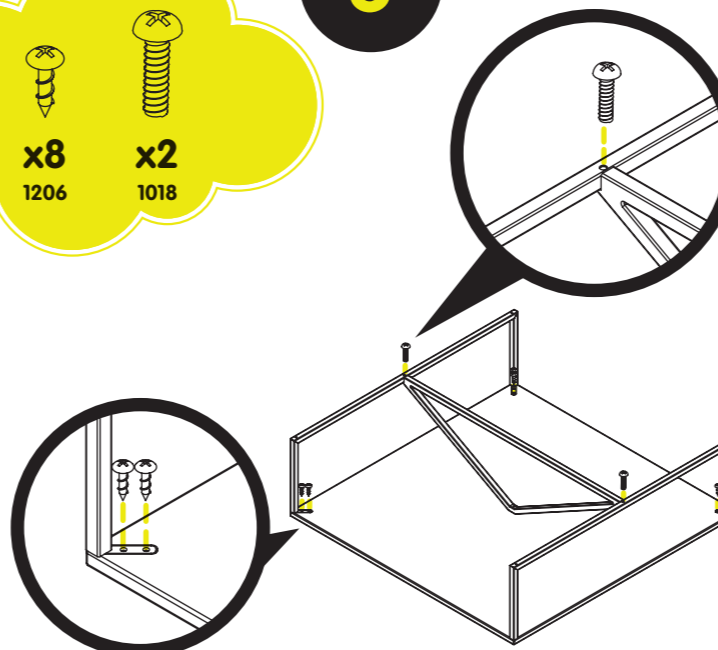
3



x8  
1206



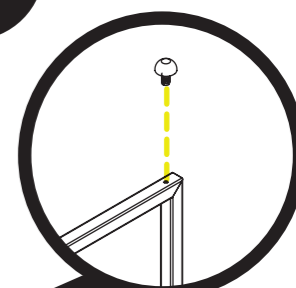
x2  
1018



4



x4  
4004



## HARDWARE

x4  
1017



x1  
1205



x8  
1206



x2  
1018



x4  
4004

