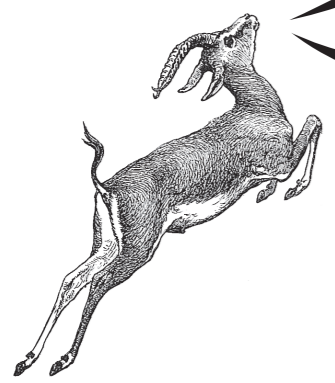
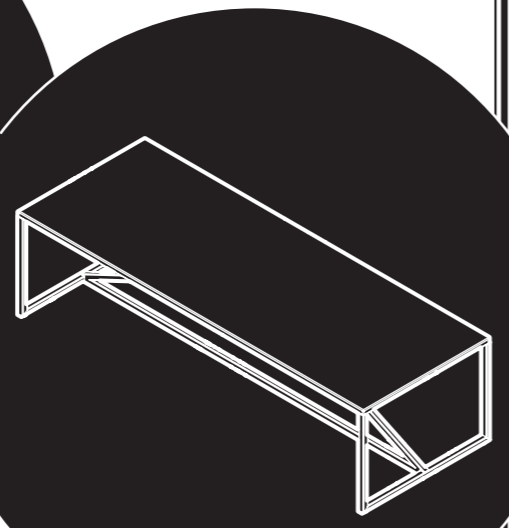


BLU
DOT

STRUT IN WOOD ASSEMBLY NOTES

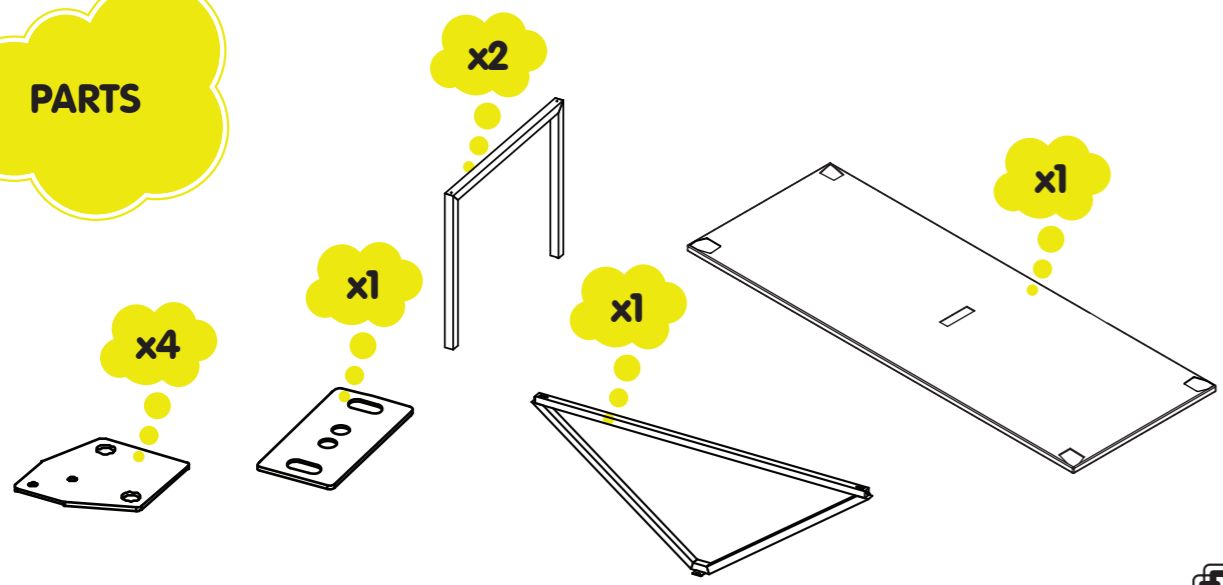
FOUR.
SQUARE.



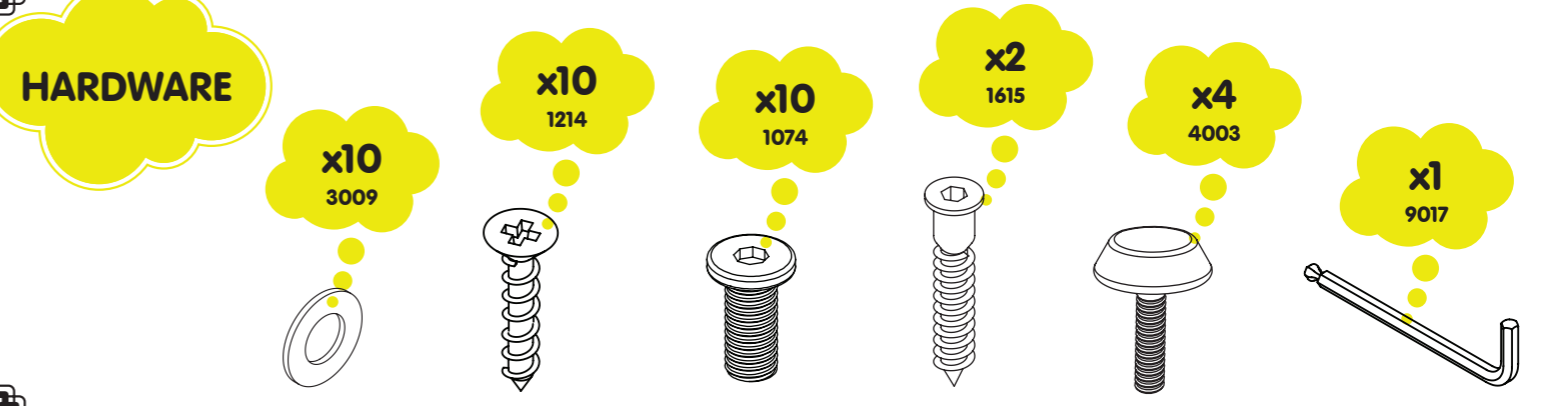
CARE

Clean with a soft cloth or sponge using a mild detergent, such as dish soap, and warm water. Wipe completely dry with a soft cloth.

PARTS

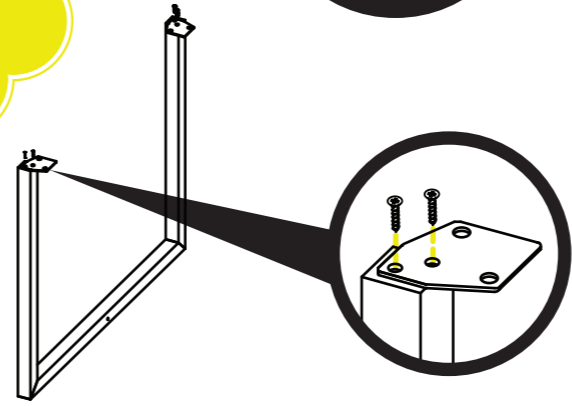


HARDWARE



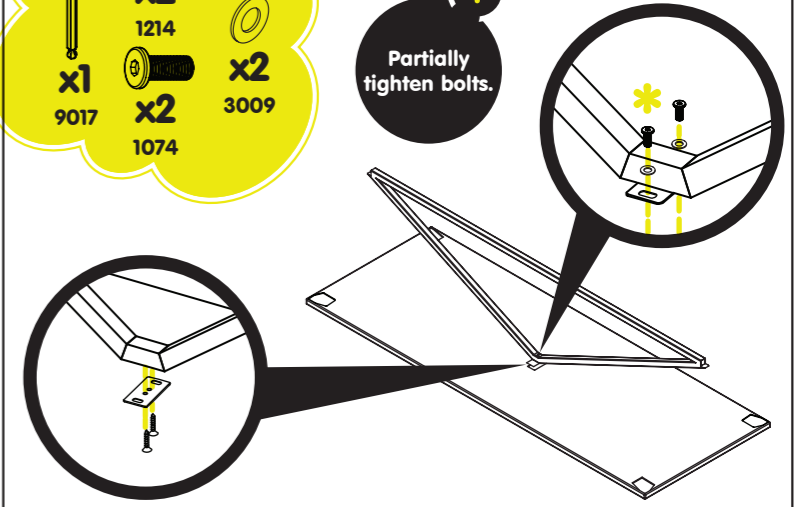
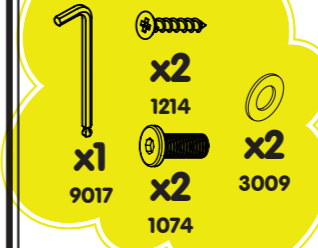
1

Assemble on carpet or protective mat



2

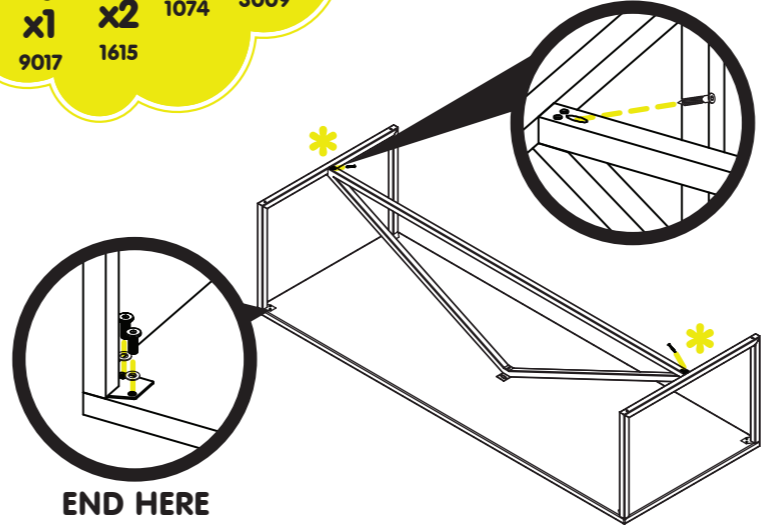
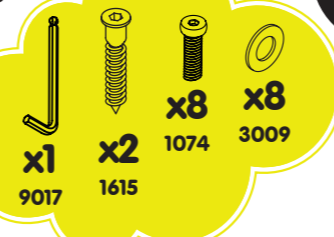
Partially tighten bolts.



3

Press parts together firmly.

START HERE



END HERE

4

Finish tightening all bolts before using product.

