

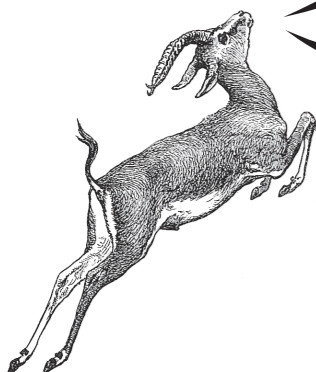
BLU
DOT

STRUT IN WOOD ASSEMBLY NOTES

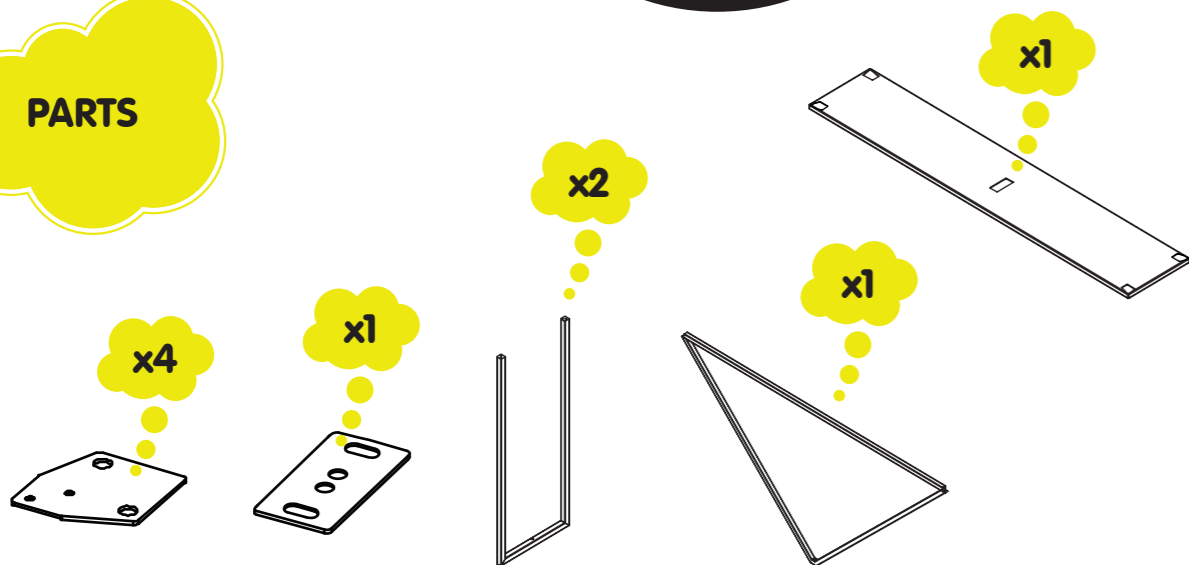
FOUR.
SQUARE.

CARE

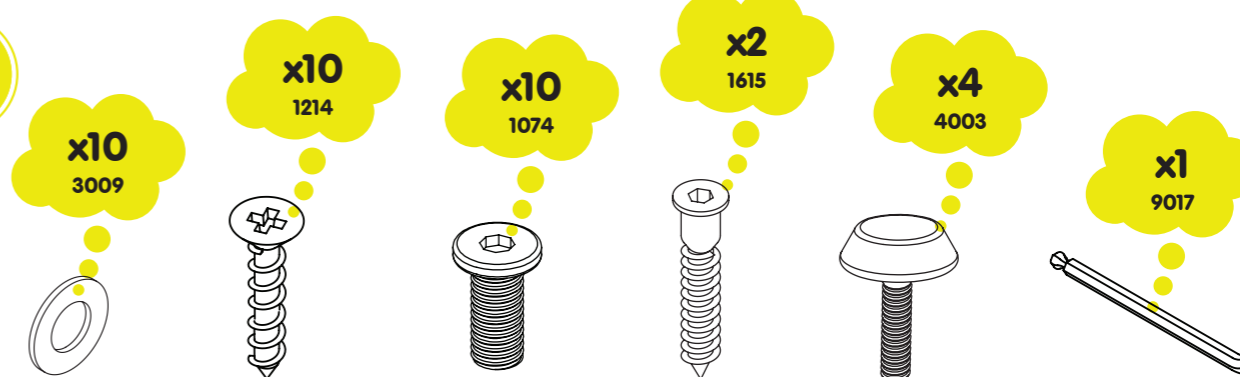
Clean with a soft cloth or sponge using a mild detergent, such as dish soap, and warm water. Wipe completely dry with a soft cloth.



PARTS



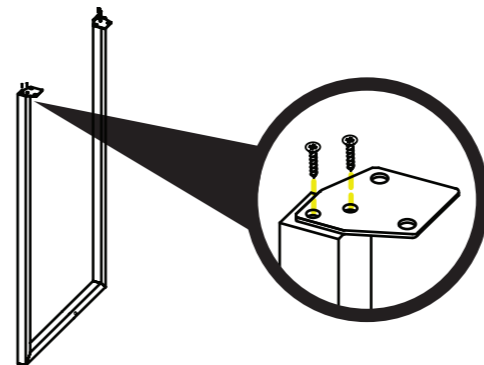
HARDWARE



1

Assemble on carpet or protective mat

x8
1214



2

Partially tighten bolts.

x1
9017



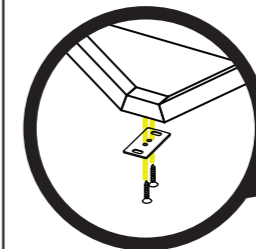
x2
1214



x2
1074



x2
3009



3

Press parts together firmly.

START HERE

x1
9017



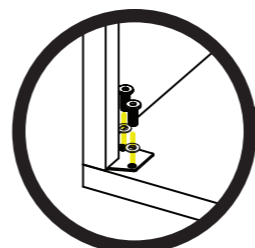
x2
1615



x8
1074



x8
3009



END HERE

4

Finish tightening all bolts before using product.

x4
4003

