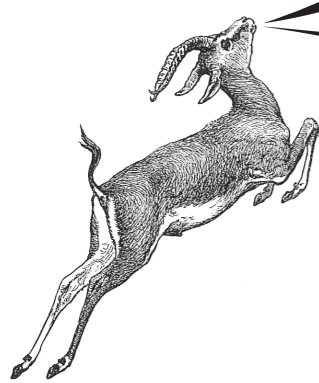
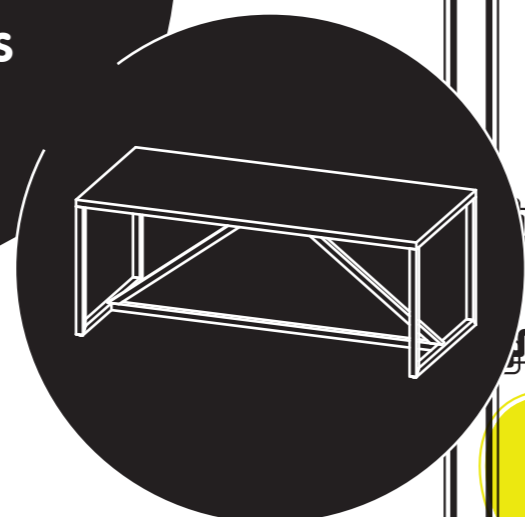


BLU  
DOT

# STRUT IN WOOD ASSEMBLY NOTES

FOUR.  
SQUARE.

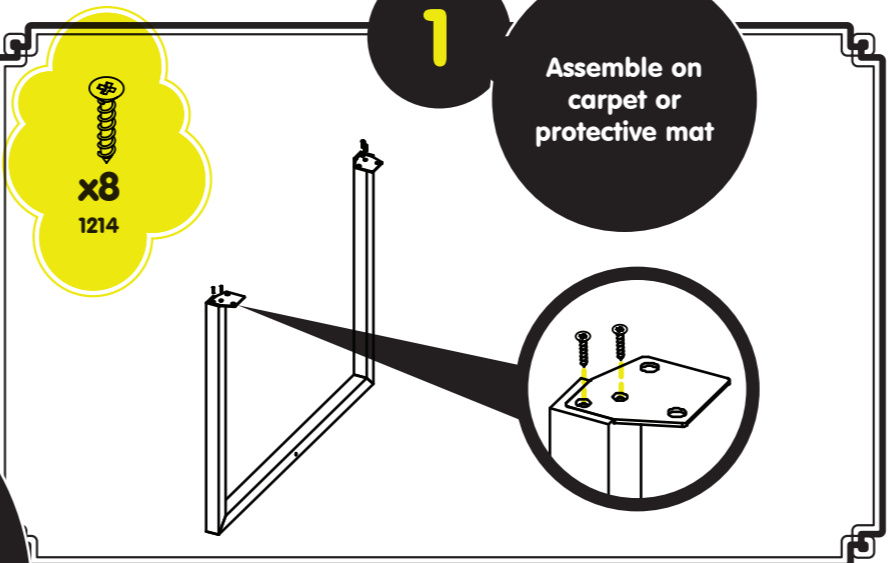


## CARE

Clean with a slightly damp, soft cloth. To remove dirt and fingerprints, use a quality cleaner formulated for wood furniture. Wipe completely dry with a soft cloth in the direction of the wood grain.

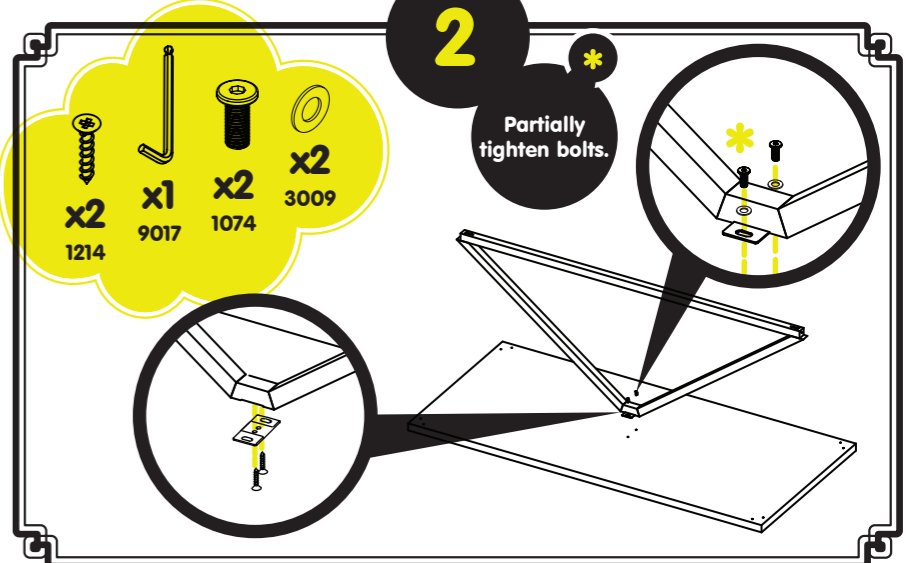
1

Assemble on carpet or protective mat



2

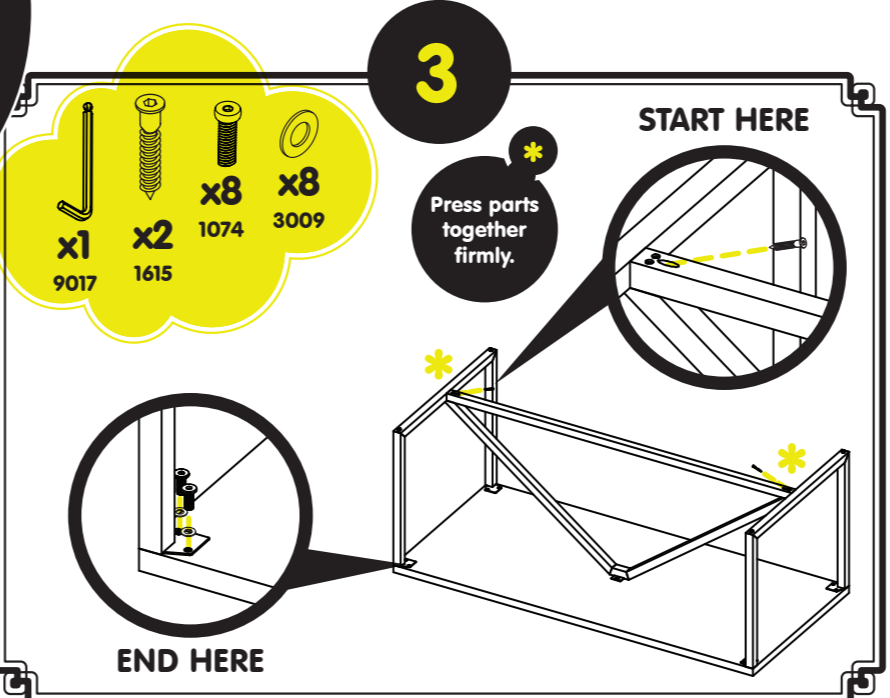
Partially tighten bolts.



3

START HERE

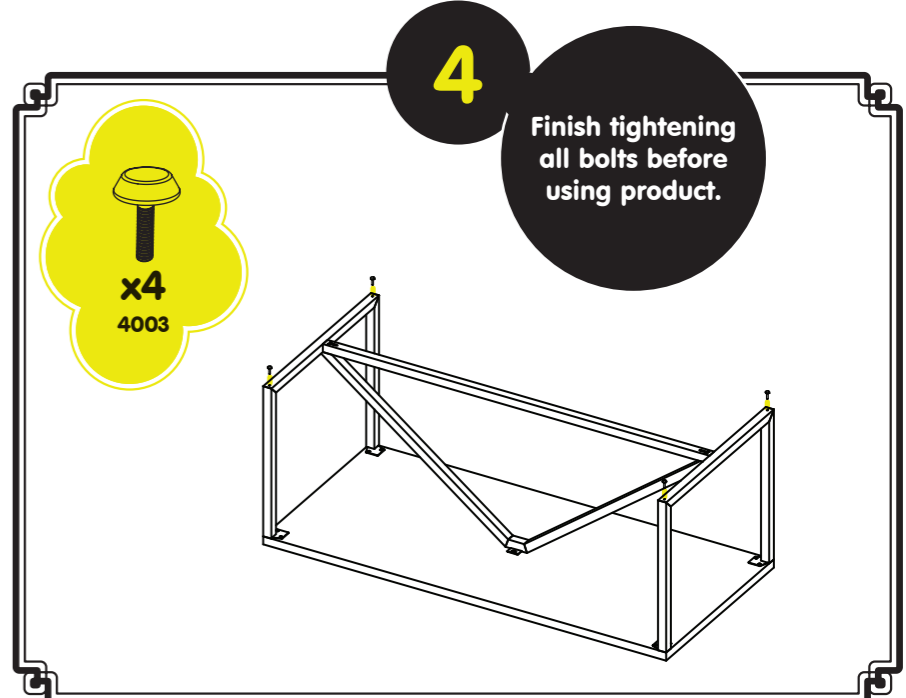
Press parts together firmly.



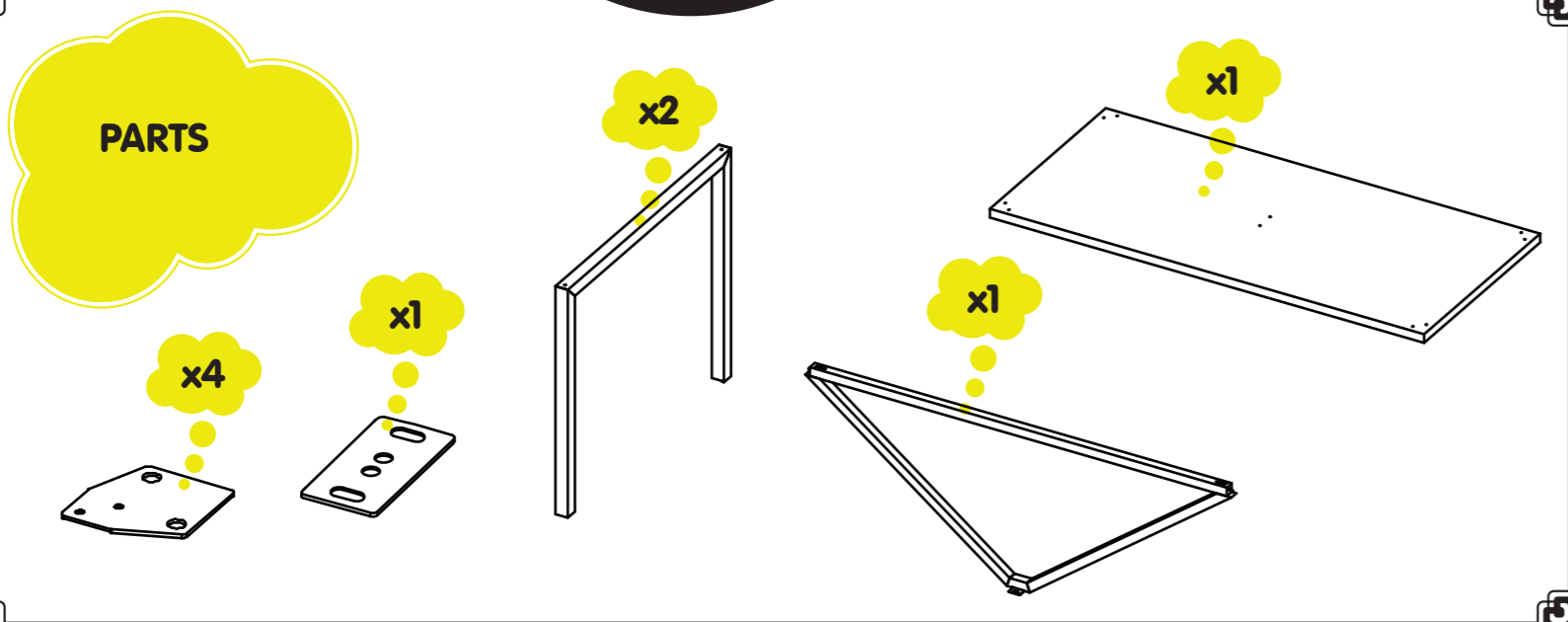
END HERE

4

Finish tightening all bolts before using product.



## PARTS



## HARDWARE

