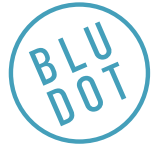
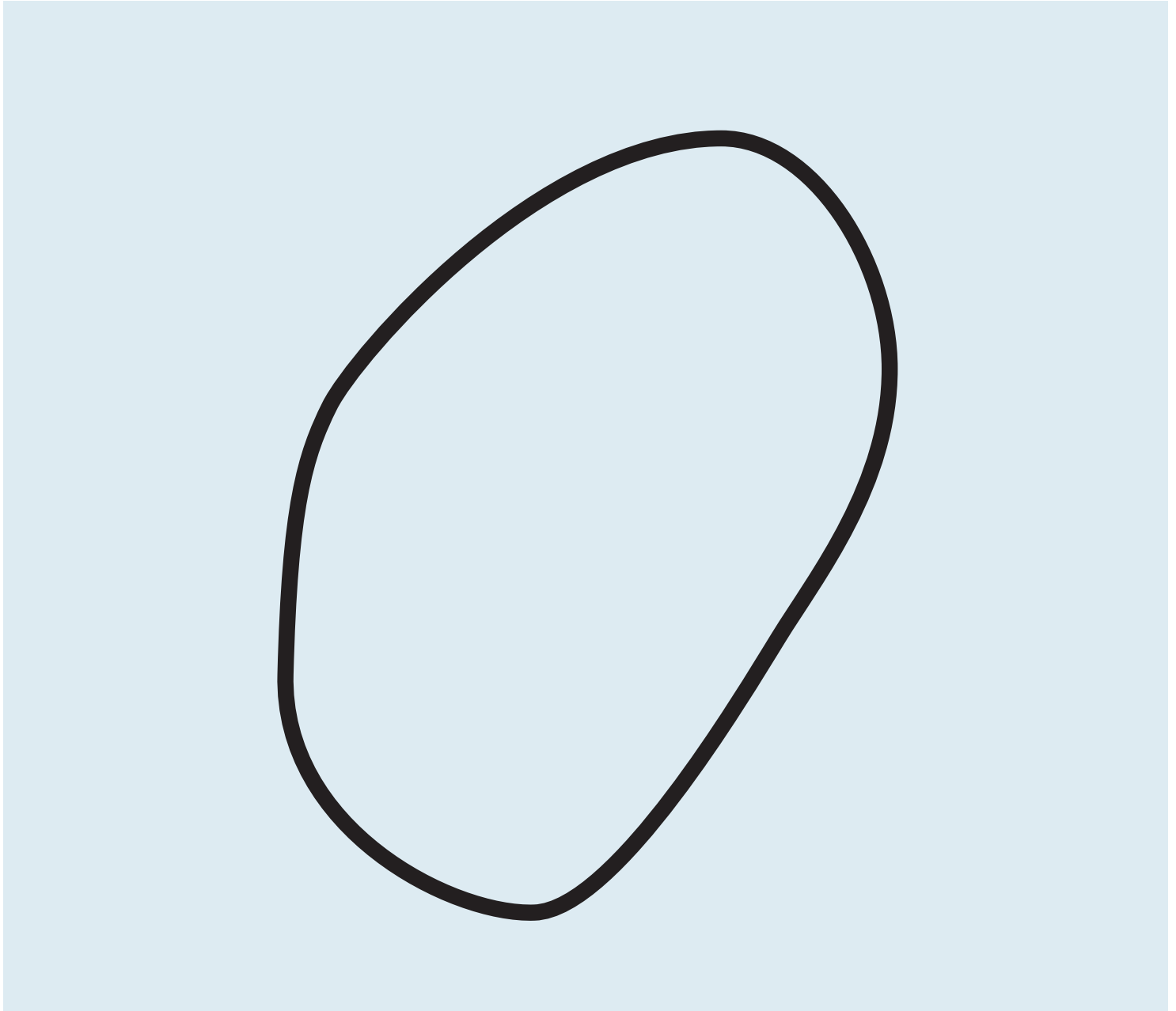


# Swole Medium Table



DESIGNED IN 2014

ASSEMBLY NOTES | REV 00



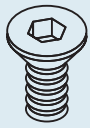
**PUMP...(CLAP)...YOU UP!**

An organic form top marries with a round pedestal base to create a charming tension in forms.

**NEED A HAND?**

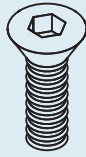
Contact us at [service@bludot.com](mailto:service@bludot.com) or **844.425.8368** for assistance.

# Parts & Hardware



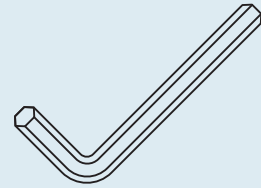
QTY 2

Pt. 1078



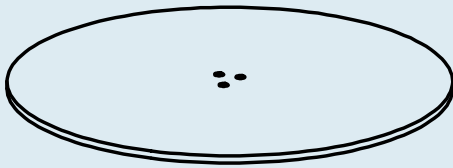
QTY 3

Pt. 1002



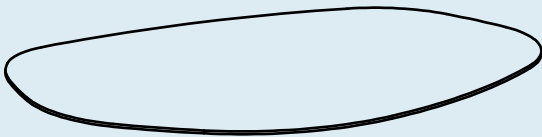
QTY 1

Pt. 9026



QTY 1

Base



QTY 1

Top



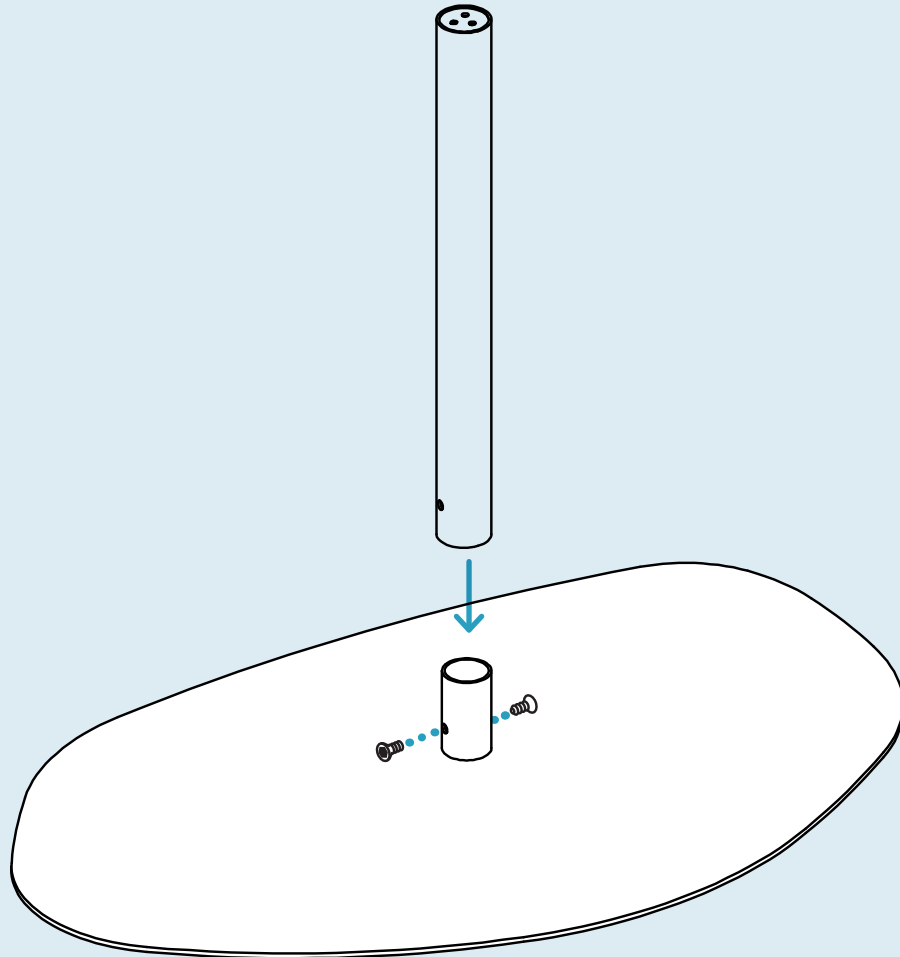
QTY 1

Support

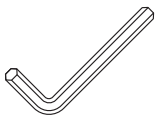
# Step 01

## ATTACHING THE SUPPORT.

Place the top panel face down on a soft surface. Align the hole pattern as shown. Attach using the provided hardware.



PT. 1078 x 2

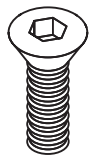
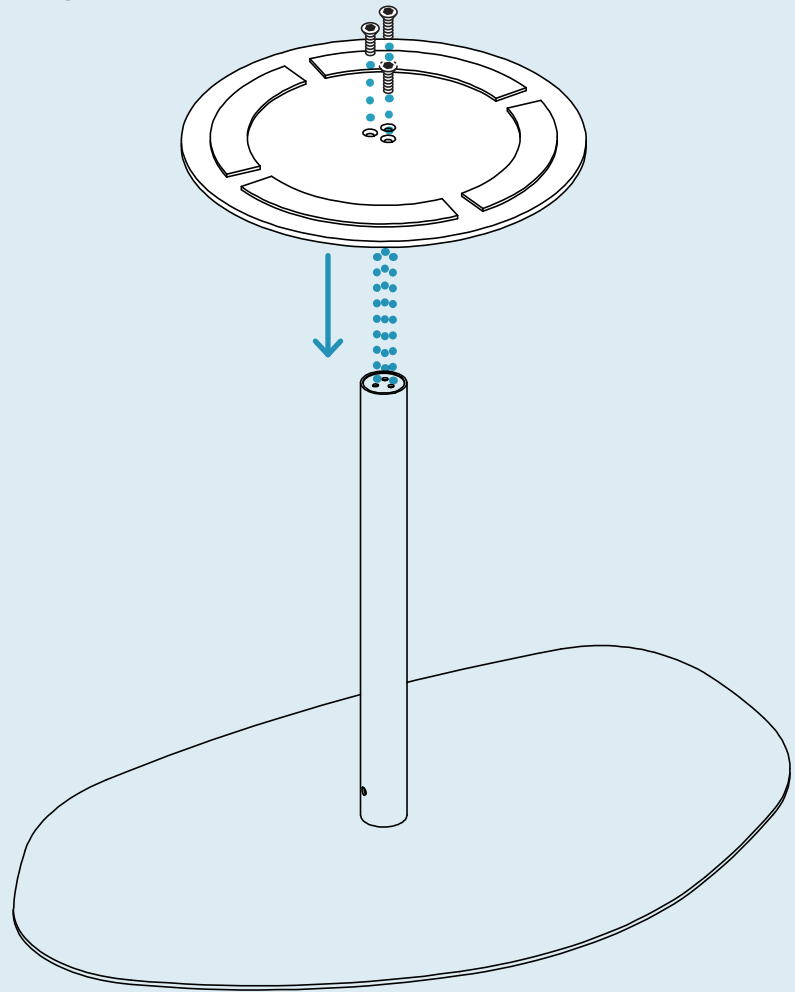


PT. 9026 x 1

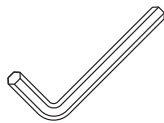
# Step 02

## ATTACHING THE BASE.

Align the base as shown. Attach the base using the provided hardware.



PT. 1002 x 3



PT. 9026 x 1

## Additional Information

### CLEAN

Clean with a slightly damp, soft cloth. To remove dirt and fingerprints, use a quality cleaner approved for use on painted furniture. Wipe completely dry with a soft cloth.

