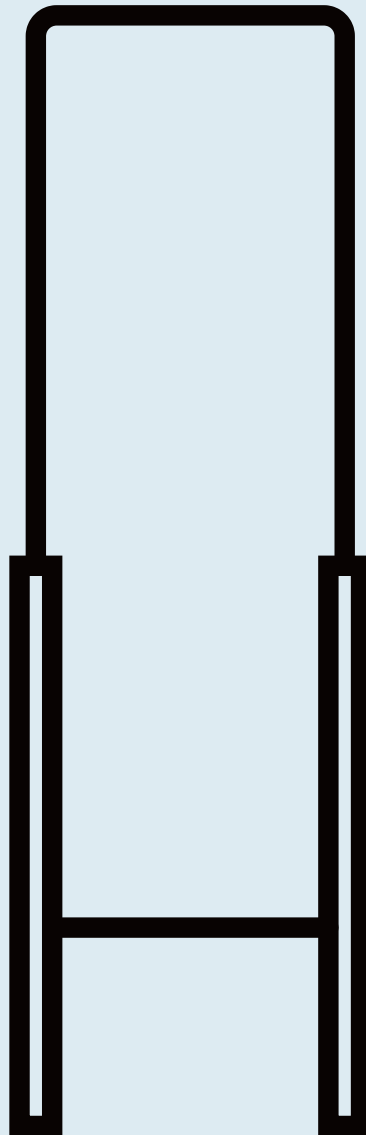
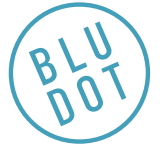


# TDH Leaning Mirror

DESIGNED IN 2015

ASSEMBLY NOTES | REV 00



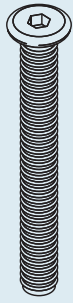
## FULL FRONTAL.

Solid walnut or ash dowel legs grip a radius edge mirror that is designed to lean confidently against the wall to capture all of you and your glorious outfit.

## NEED A HAND?

Contact us at [service@bludot.com](mailto:service@bludot.com) or **844.425.8368** for assistance.

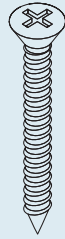
# Parts & Hardware



QTY

6

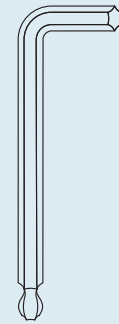
Pt. 1067



QTY

2

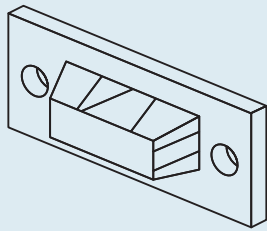
Pt. 1218



QTY

1

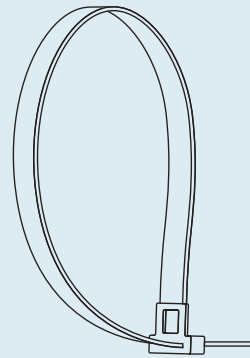
Pt. 9016



QTY

1

Pt. 8041



QTY

1

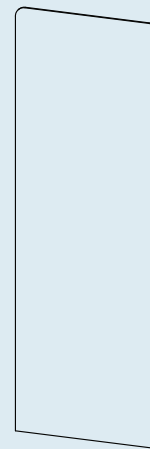
Pt. 8042



QTY

2

Side Frame



QTY

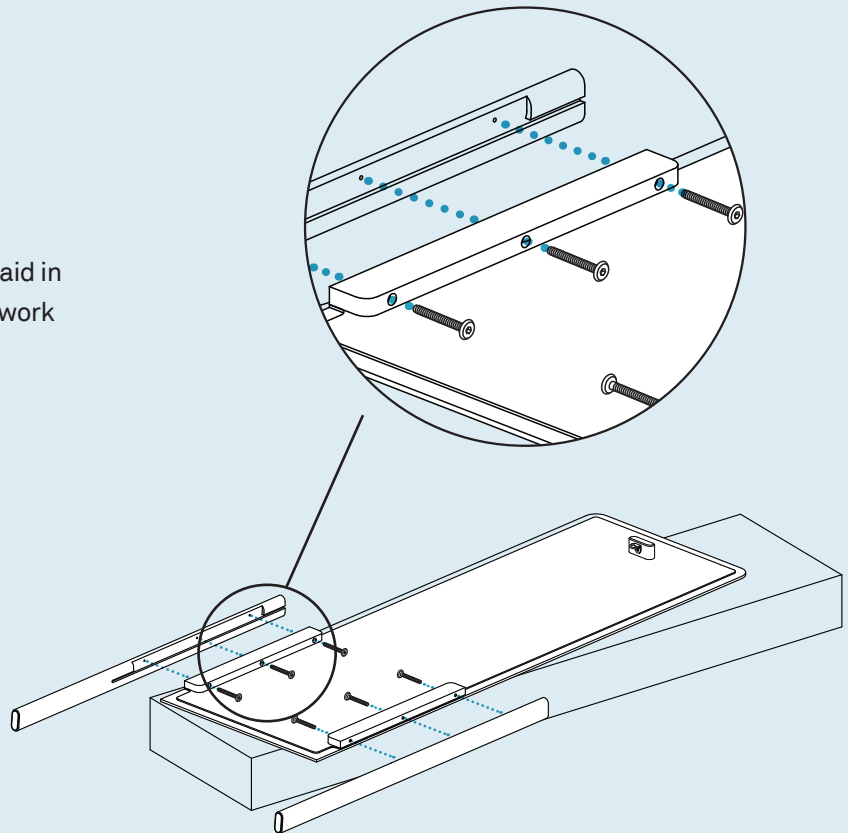
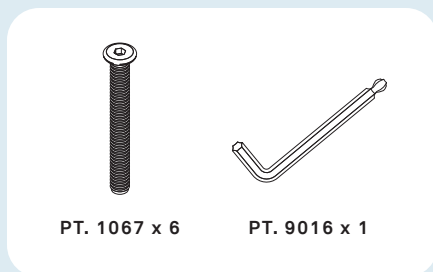
1

Mirror

## Step 01

### ATTACH SIDE FRAMES.

Attach the side frames to the mirror as shown using the provided hardware. To aid in assembly, use the shipping carton as a work surface.

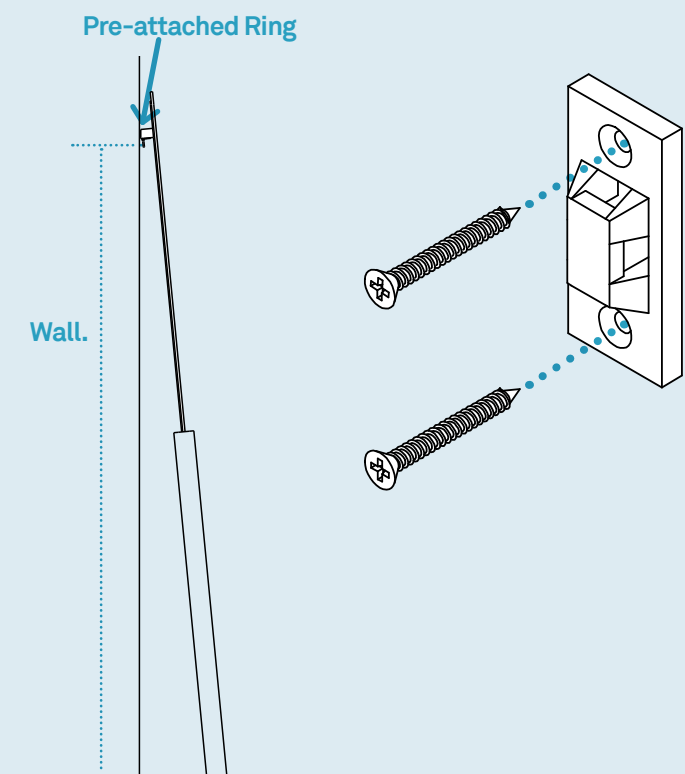
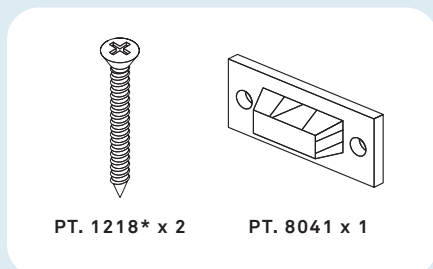


## Step 02

### ATTACH ANTI-TIP BRACKET TO WALL

Measure pre-attached ring height from the floor. The anti-tip bracket should be installed 1" below the pre-attached ring. Install the bracket to the wall as shown with recommended hardware.

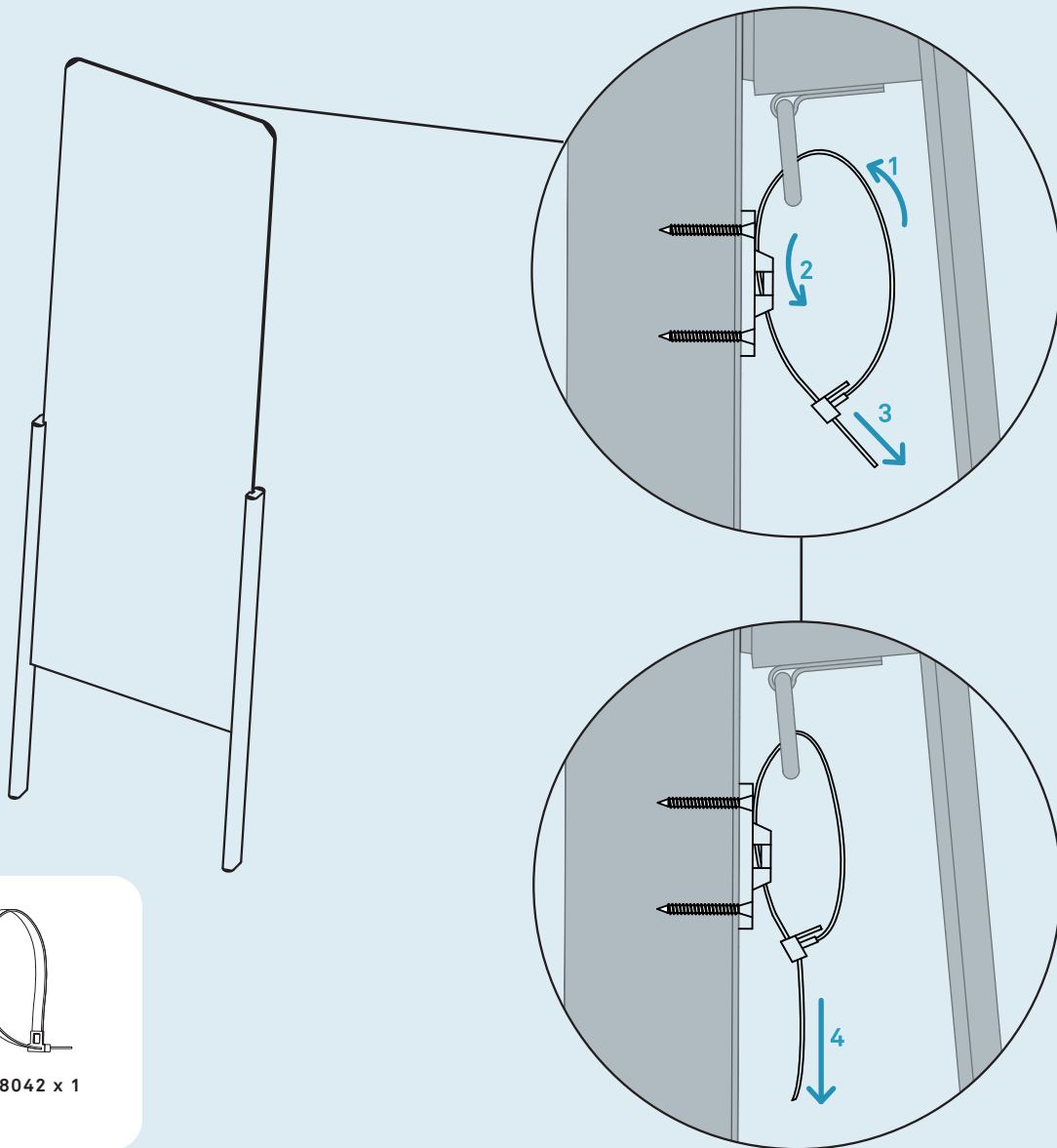
**\*Note:** Though fasteners are provided, consult your local hardware professional to determine the hardware best suited for your type of wall.



## Step 03

### SECURE MIRROR TO WALL.

Install the anti-tip strap as shown. Be sure to tighten the strap before using the product.



## Additional Information

### CLEAN

Clean with a slightly damp, soft cloth. To remove dirt and fingerprints, use a quality cleaner formulated for glass and wood furniture. Wipe wood surfaces completely dry with a soft cloth in the direction of the grain.

