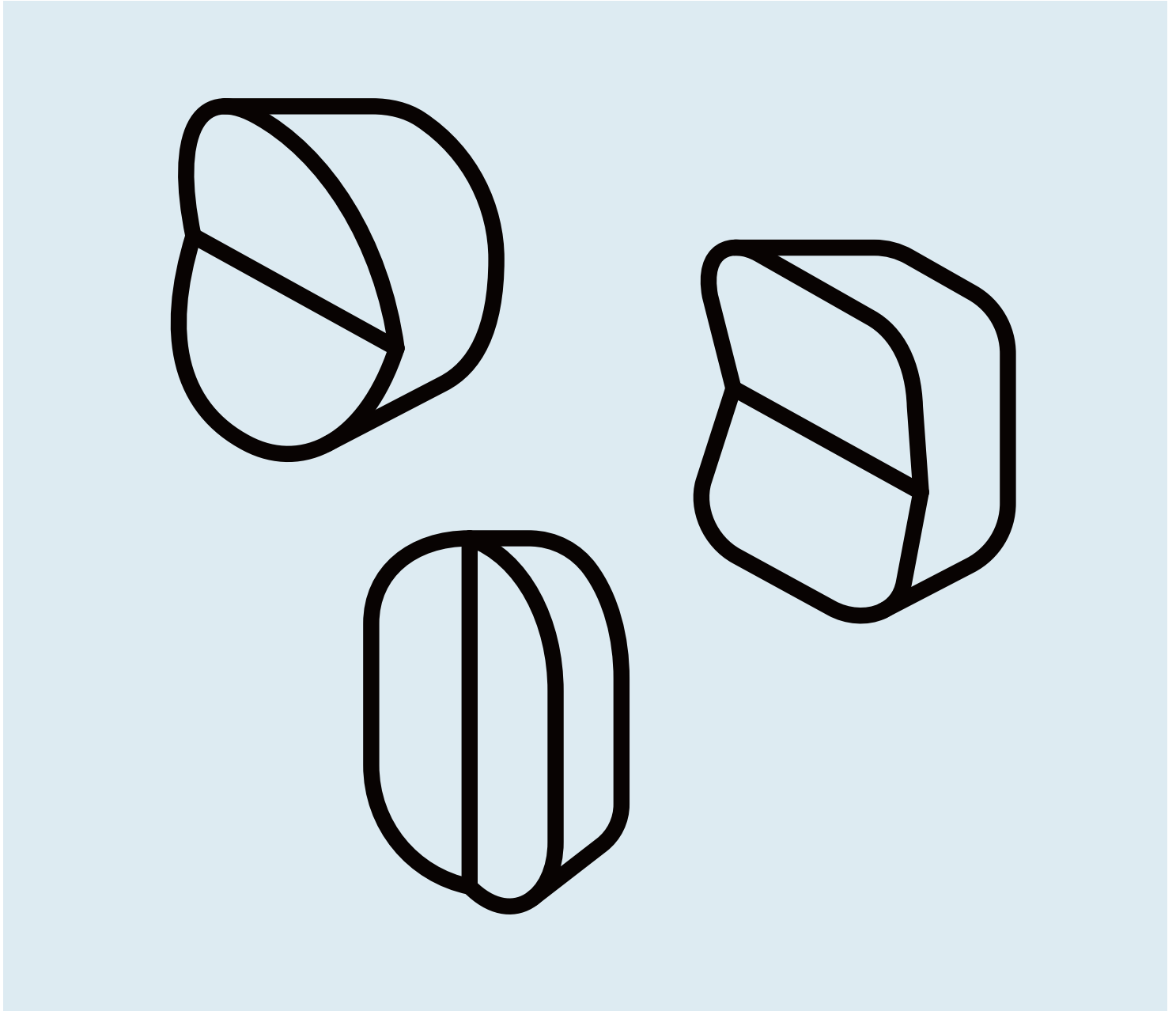
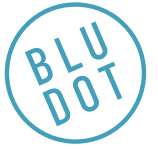


Uphold Collection

DESIGNED IN 2020

ASSEMBLY NOTES | REV 01



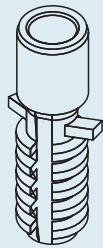
NEED A HAND?

Contact us at service@bludot.com or **844.425.8368** for assistance.

@BLUDOT

We design all our pieces in our Minneapolis studio. Follow along on Instagram for some sneak peeks into the process.

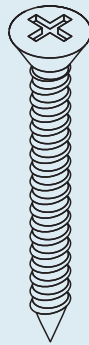
Parts & Hardware



QTY

2

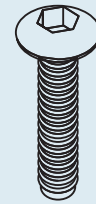
Pt. 8036



QTY

2

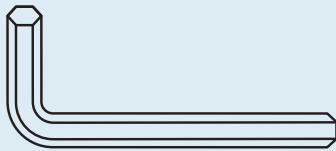
Pt. 1404



QTY

1

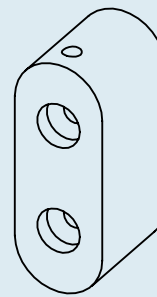
Pt. 1698



QTY

1

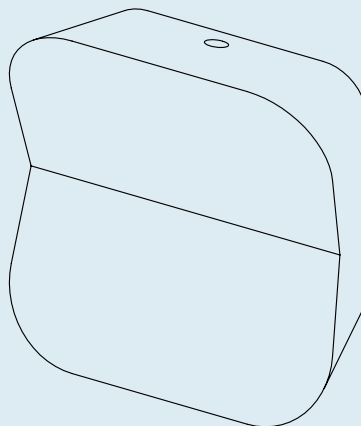
Pt. 9004



QTY

1

Wall Bracket



QTY

1

Wall Hook*

* Shape may vary depending on the product purchased.

Step 01

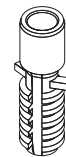
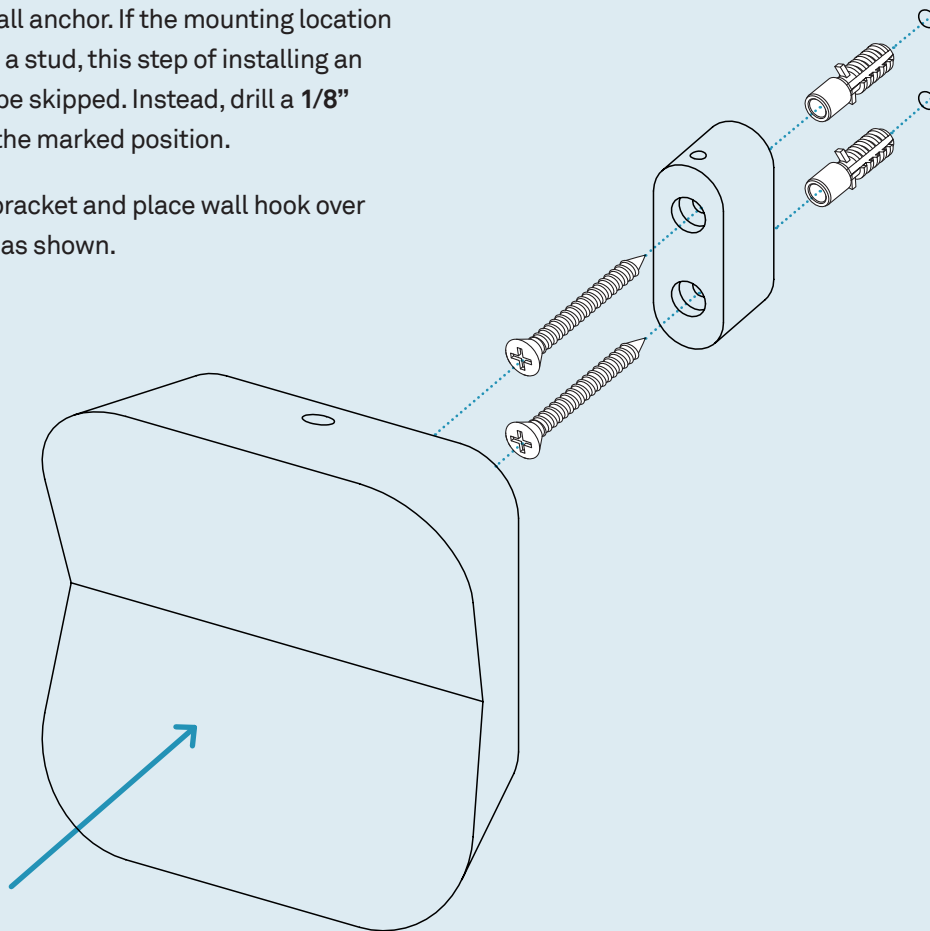
INSTALL WALL BRACKET AND HOOK

Wall anchors and fasteners are included for installation. Please consult your local hardware professional to determine the hardware best suited for your wall type.

Position the hook in the desired location and orientation, then mark the mounting locations.

If the mounting location is not positioned on a stud, drill a $7/32$ " hole in the marked location and insert wall anchor. If the mounting location is located on a stud, this step of installing an anchor may be skipped. Instead, drill a $1/8$ " pilot hole in the marked position.

Attach wall bracket and place wall hook over wall bracket as shown.



Pt. 8036 x 2*

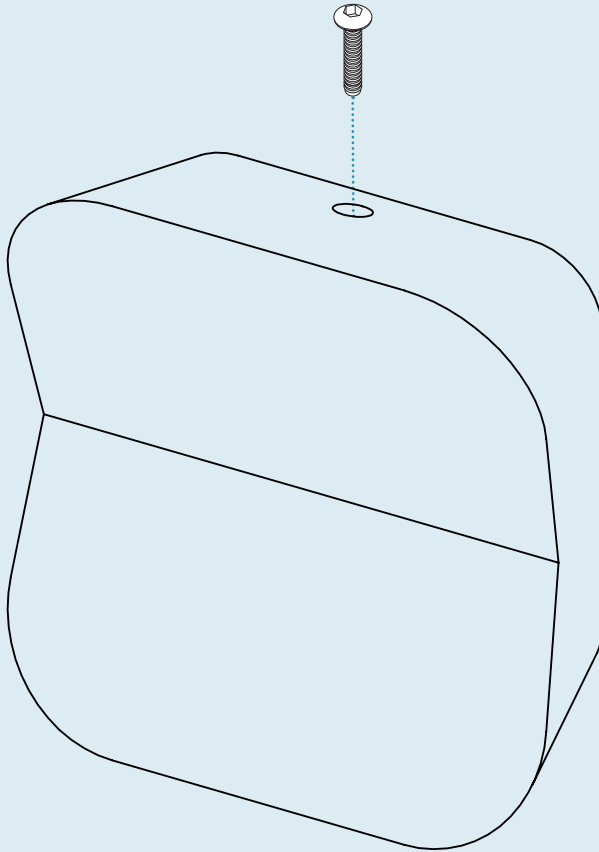


Pt. 1404 x 2

Step 02

SECURE HOOK TO WALL BRACKET

Use provided hardware to secure the wall hook onto the wall bracket as shown.



Pt. 1698 x 1



Pt. 9004 x 1

Additional Information

CLEAN

Clean with a slightly damp, soft cloth. To remove dirt and fingerprints, use a quality cleaner formulated for wood furniture. Wipe completely dry with a soft cloth in the direction of the wood grain.

