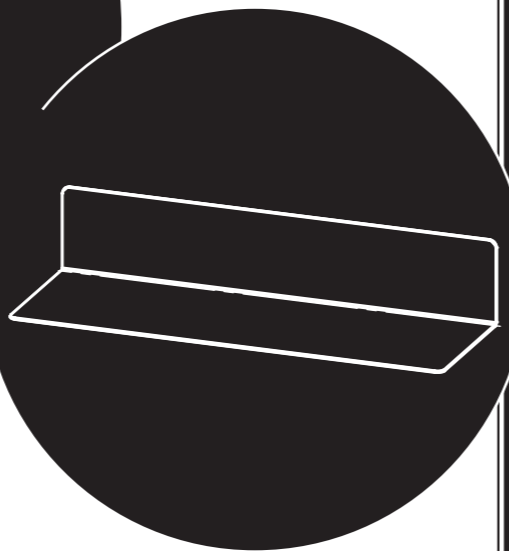


BLU  
DOT

WELF LOOK  
AT THAT!

# WELF WALL SHELF

ASSEMBLY NOTES



## CARE

Clean with a slightly damp, soft cloth. To remove dirt and fingerprints, use a quality cleaner formulated for painted metal surfaces. Do not use abrasive cleaners.

## PARTS & HARDWARE

x2  
8035



x1

WALL BRACKET

x1

SHELF

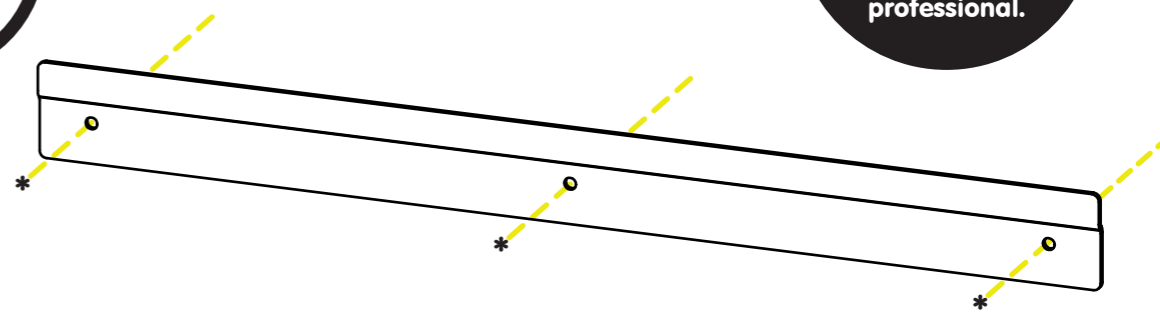
1

Make sure wall bracket is level horizontally.

Install wall bracket using recommended hardware.

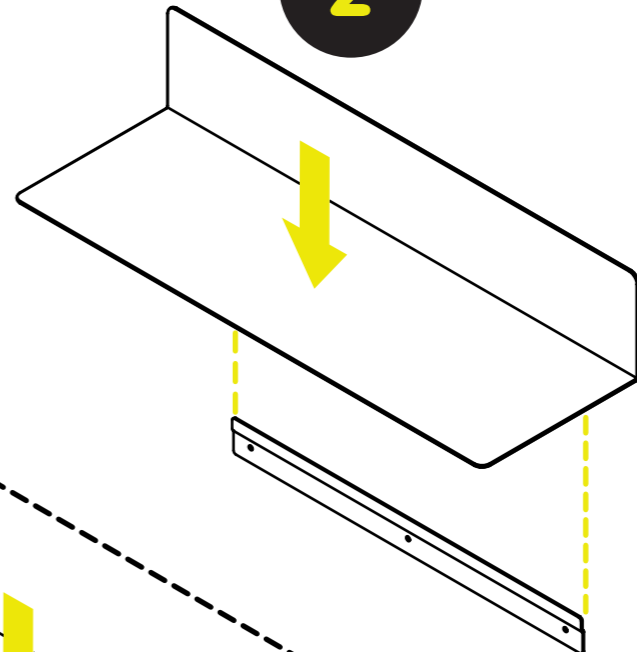


To determine the hardware best suited for your type of wall, consult your local hardware professional.



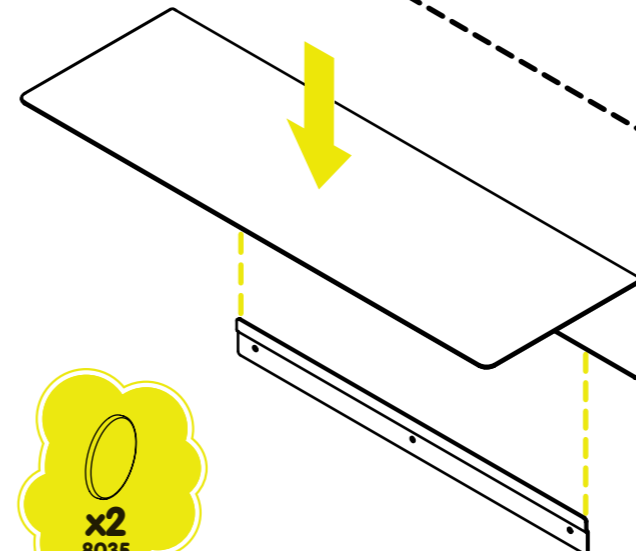
2

Install this way...



Determine shelf orientation. Apply provided cork pads to the bottom cleat on back of shelf.

Slide shelf down onto wall bracket, making sure it connects with wall bracket as shown below.



Or this way!

x2  
8035

8035

SIDE VIEW

