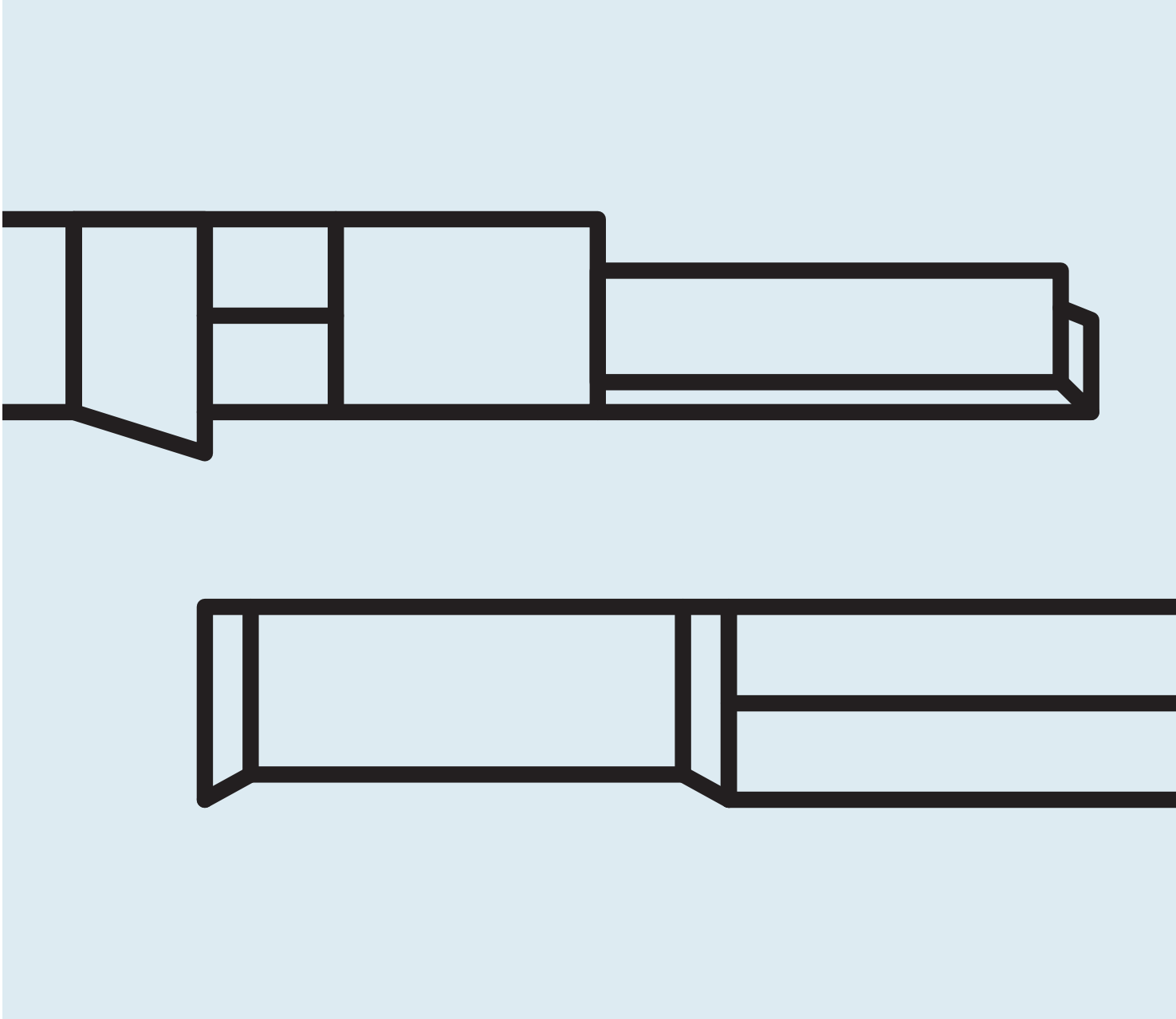


# Wonderwall 2 Door Cabinet



DESIGNED IN 2017

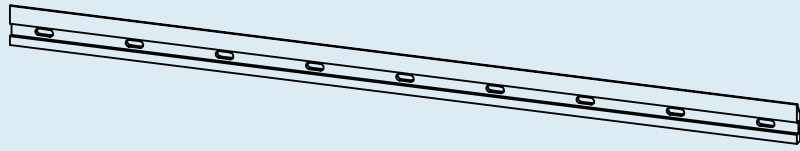
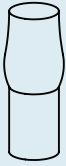
ASSEMBLY NOTES | REV 00



NEED A HAND?

Contact us at [service@bludot.com](mailto:service@bludot.com) or **844.425.8368** for assistance.

# Parts & Hardware



QTY

4

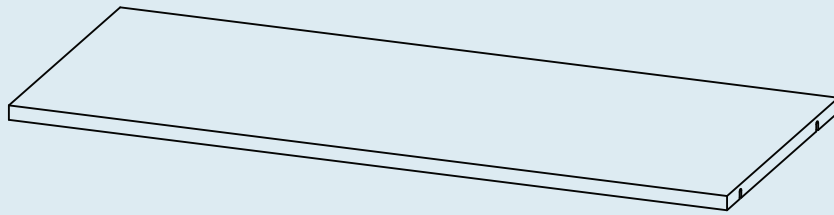
QTY

1

---

Pt. 8047

Wall Cleat

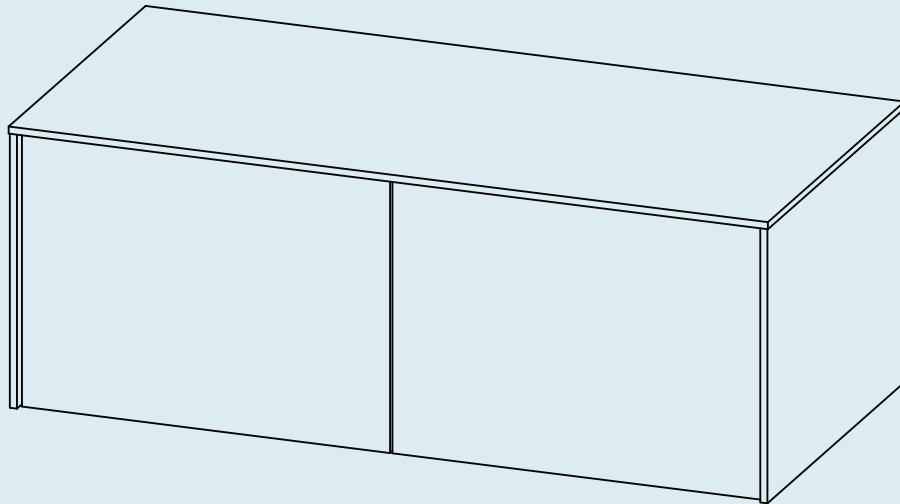


QTY

1

---

Shelf



QTY

1

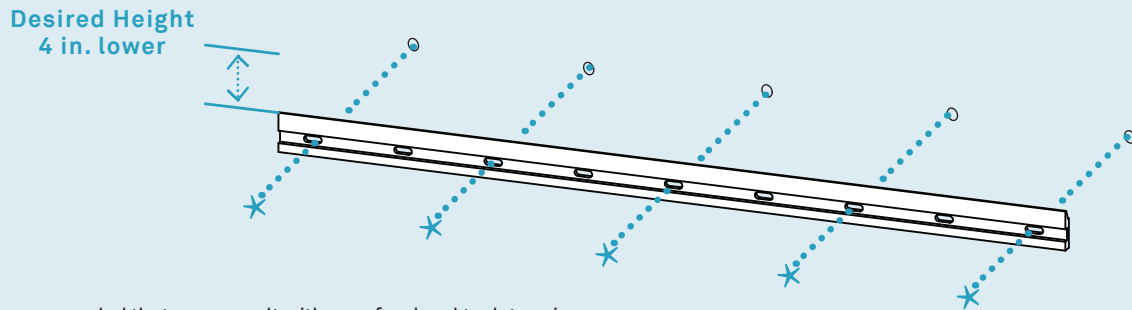
---

Case

# Step 01

## ATTACH WALL CLEAT.

Attach the wall cleat using the outermost holes first, then distribute the other screws based on the wall studs. \* Position the top of the wall cleat 4" lower than your desired height of the case.

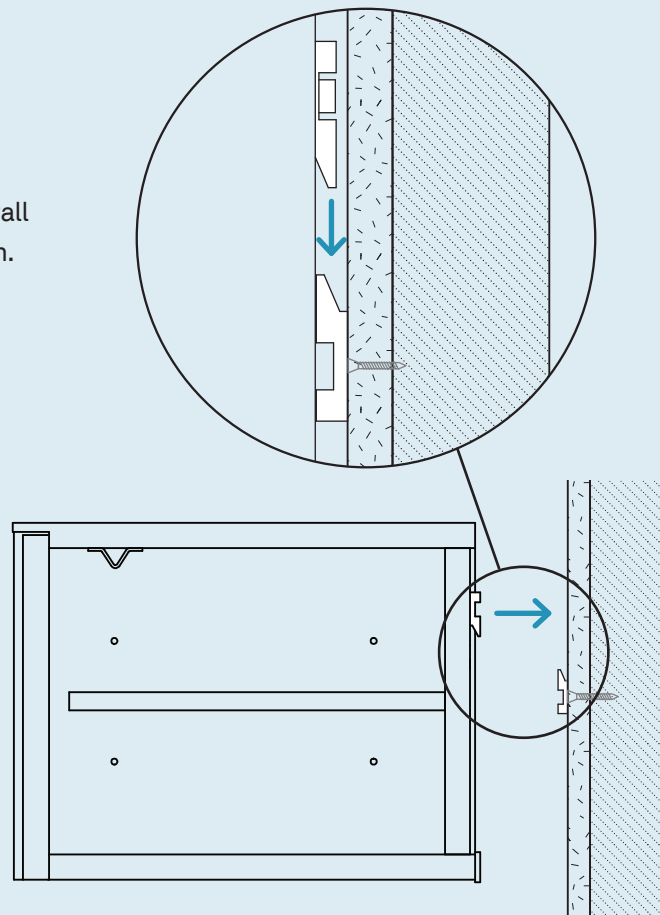


\* It is recommended that you consult with a professional to determine the method and hardware required for installation.

# Step 02

## HANGING THE CASE.

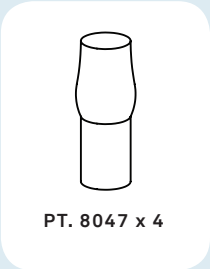
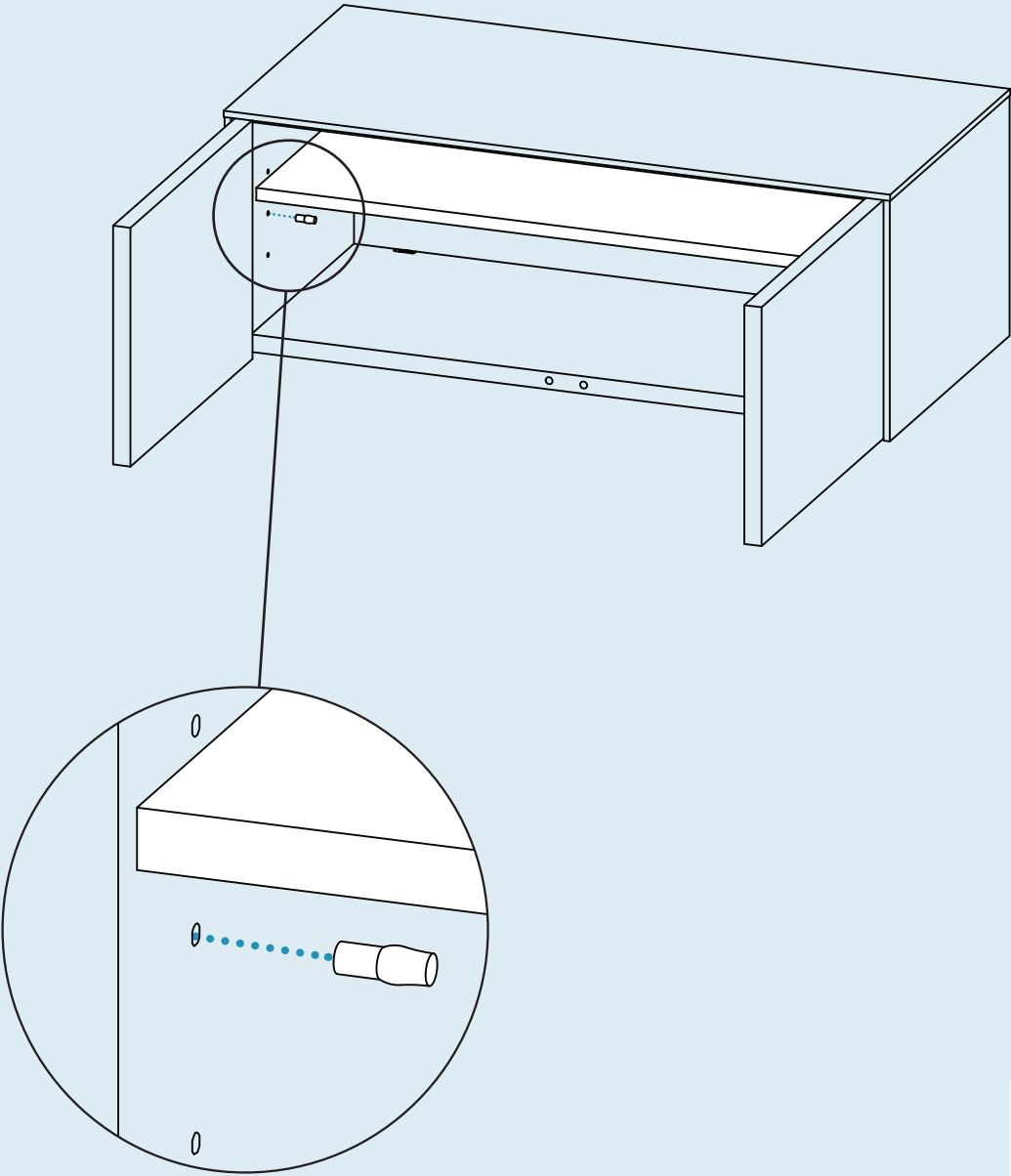
Place case against the wall about the wall cleat. Carefully slide case down along the wall until it engages with the wall cleat as shown.



# Step 03

## ADJUSTABLE SHELF ADJUSTMENT.

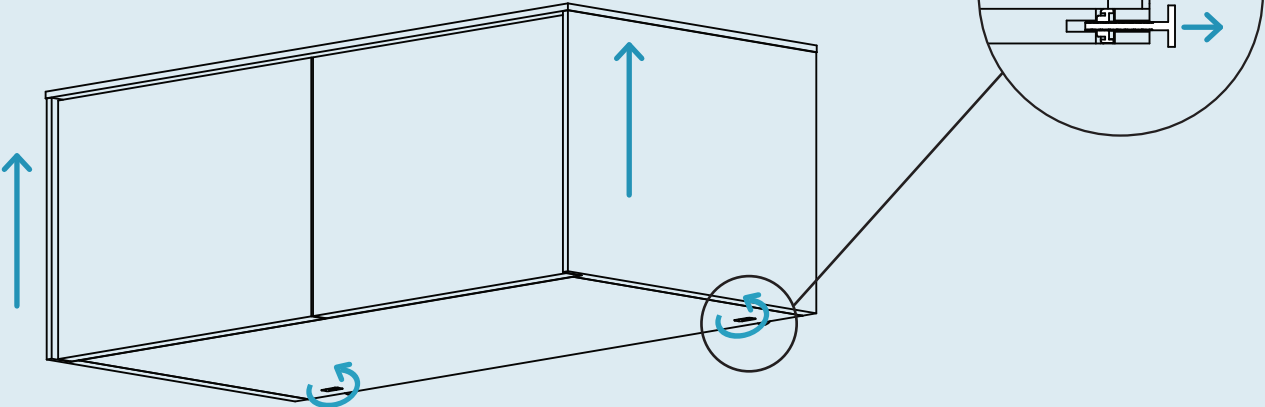
Insert shelf pins at desired height, then adjust shelf location.



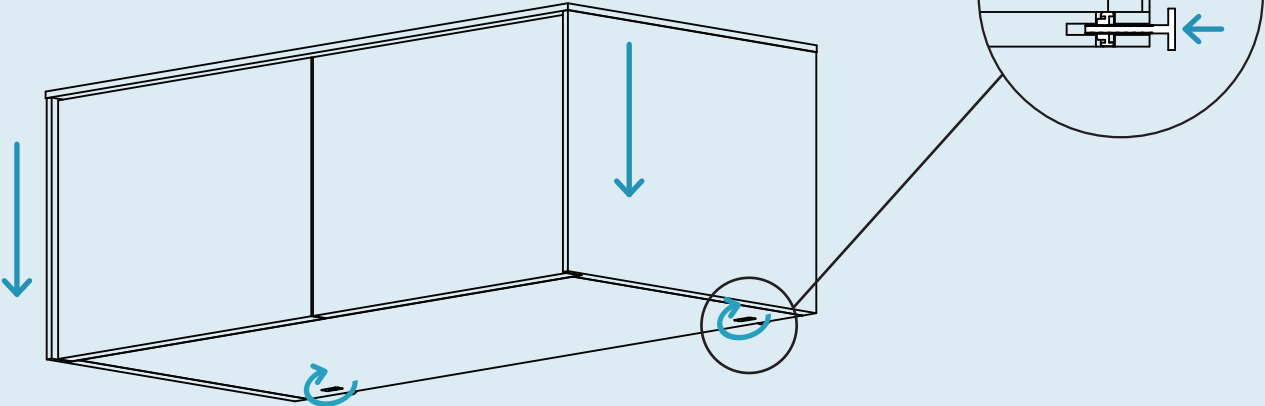
# Step 04

## INITIAL ADJUSTMENT.

To lift the front of case as shown, turn both leveler wheels counterclockwise. ↺



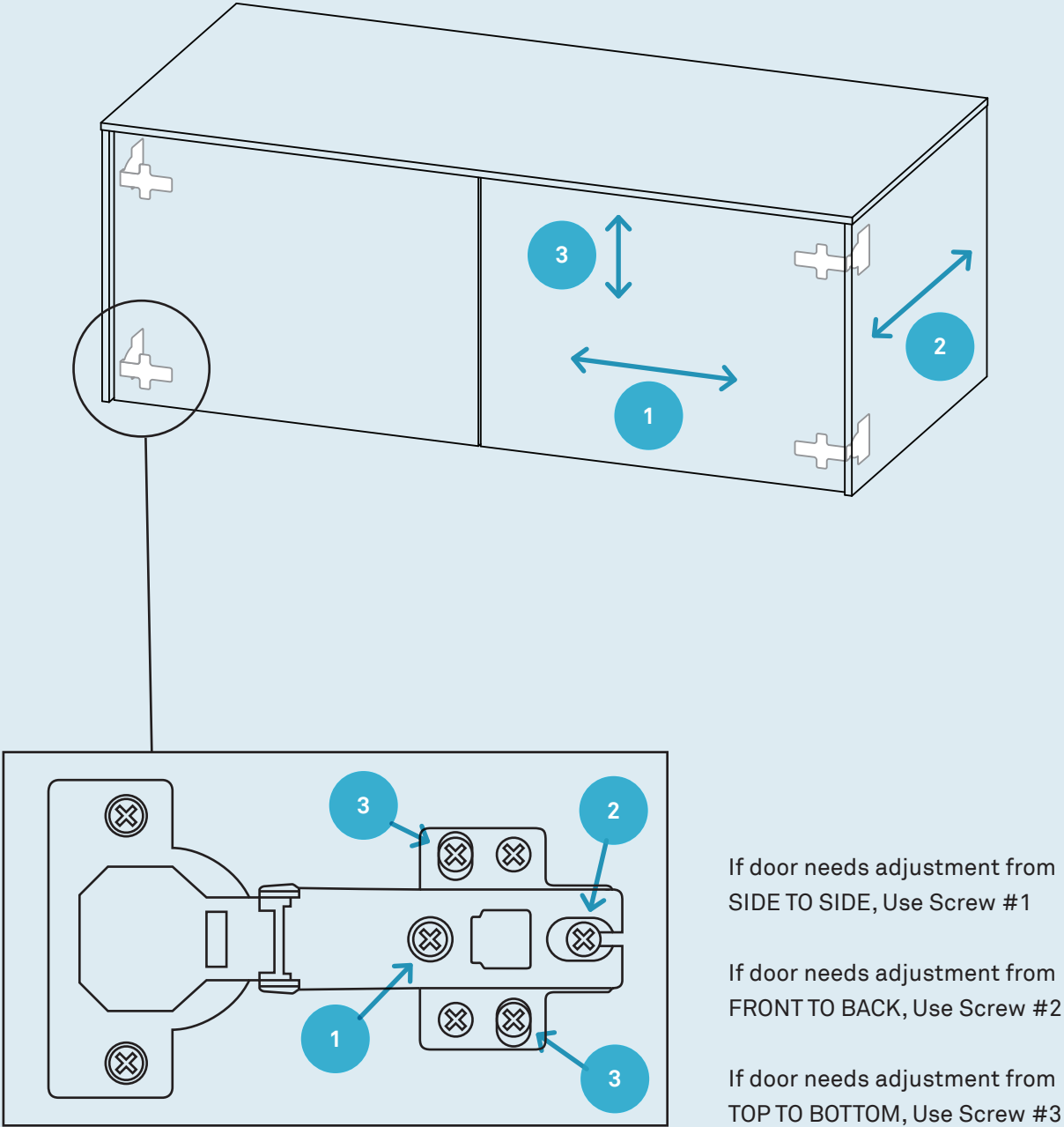
To lower the front of case as shown, turn both leveler wheels clockwise. ↻

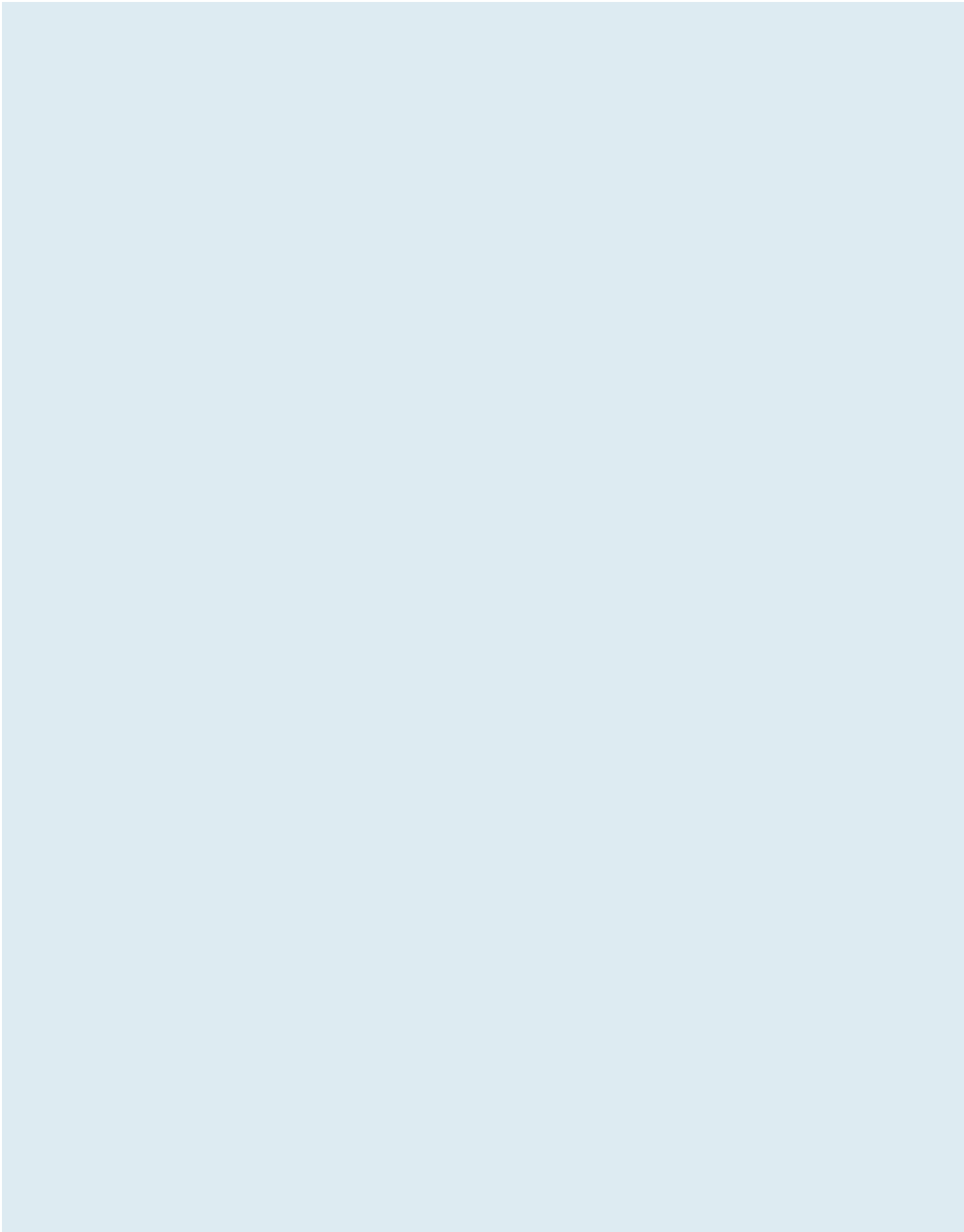


# Step 05

## DOOR ADJUSTMENT.

Hinges work in unison with one another, meaning if you adjust one hinge, chances are you will have to adjust all the hinges.





## Additional Information

### CLEAN

Clean with a slightly damp, soft cloth. To remove dirt and fingerprints, use a quality cleaner formulate for wood furniture. Wipe completely dry with a soft cloth in the direction of the wood grain.

