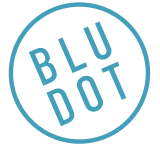
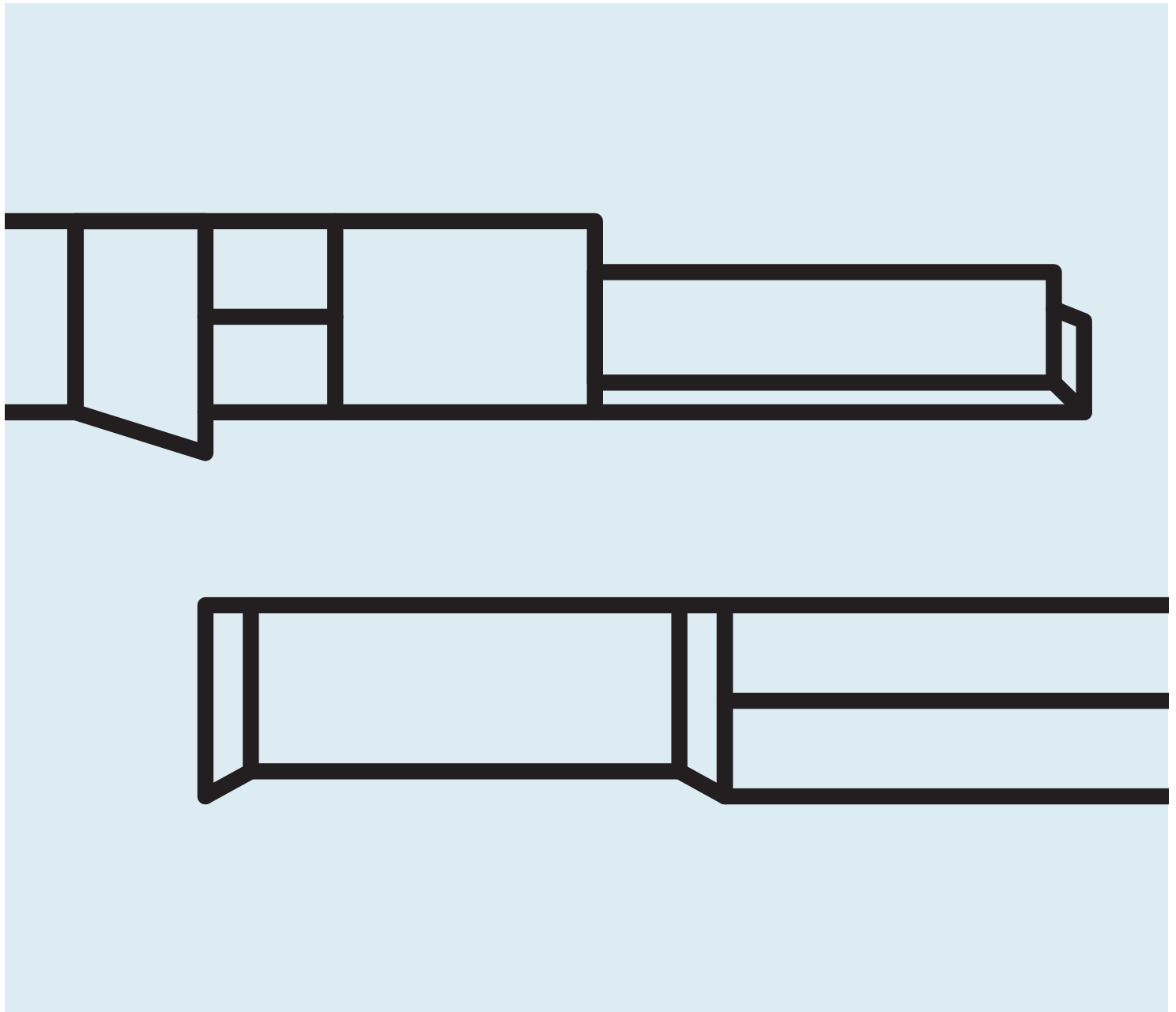


Wonderwall 2 Drawer Cabinet



DESIGNED IN 2017

ASSEMBLY NOTES | REV 00



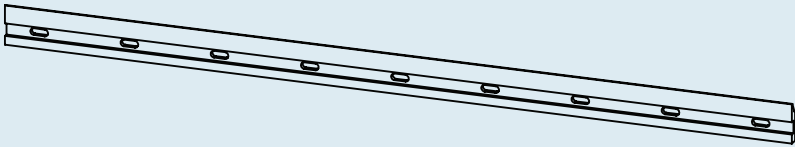
DRAWERS THAT ARE WILLING TO HANG WITH YOU.

Organization can be the difference between clutter and collection. Double drawers swallow everything from clothes and cutlery to stacks of CDs.

NEED A HAND?

Contact us at service@bludot.com or **844.425.8368** for assistance.

Parts & Hardware



QTY _____ 1
Wall Cleat

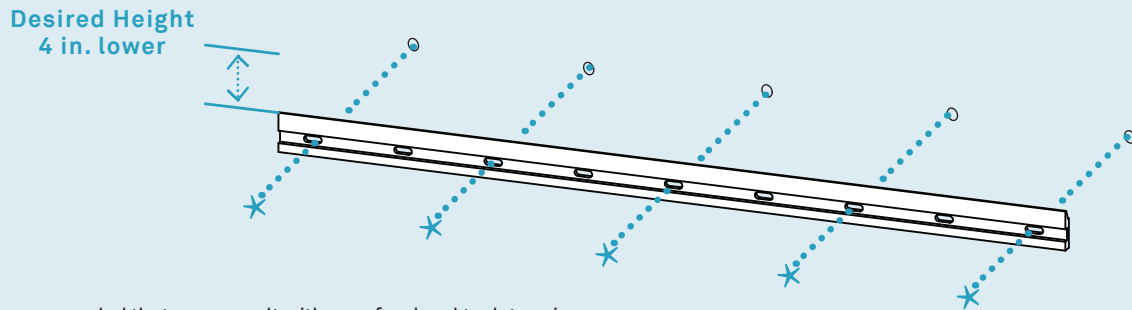


QTY _____ 1
Case

Step 01

ATTACH WALL CLEAT.

Attach the wall cleat using the outermost holes first, then distribute the other screws based on the wall studs. * Position the top of the wall cleat 4" lower than your desired height of the case.

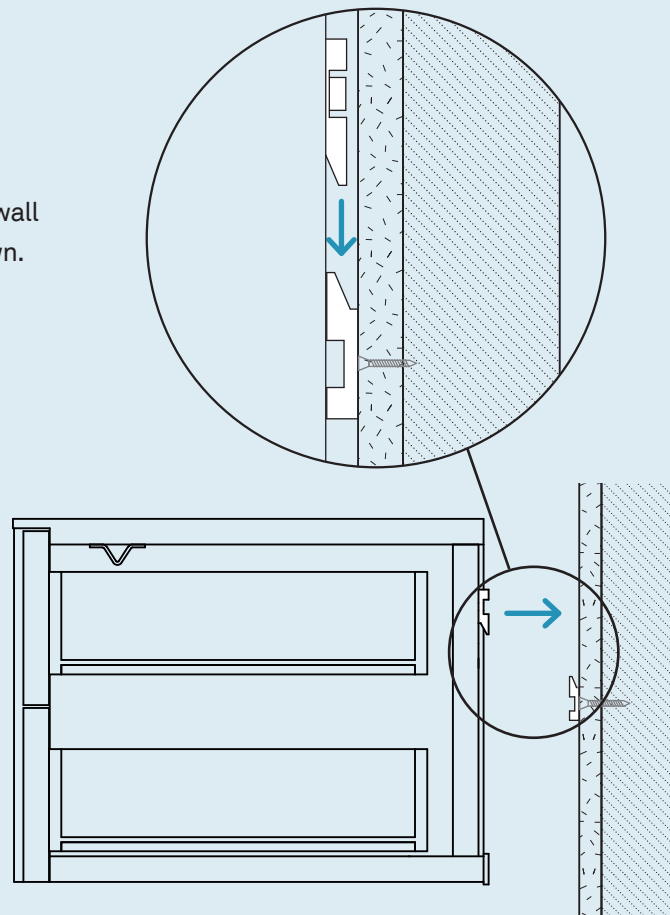


* It is recommended that you consult with a professional to determine the method and hardware required for installation.

Step 02

HANGING THE CASE.

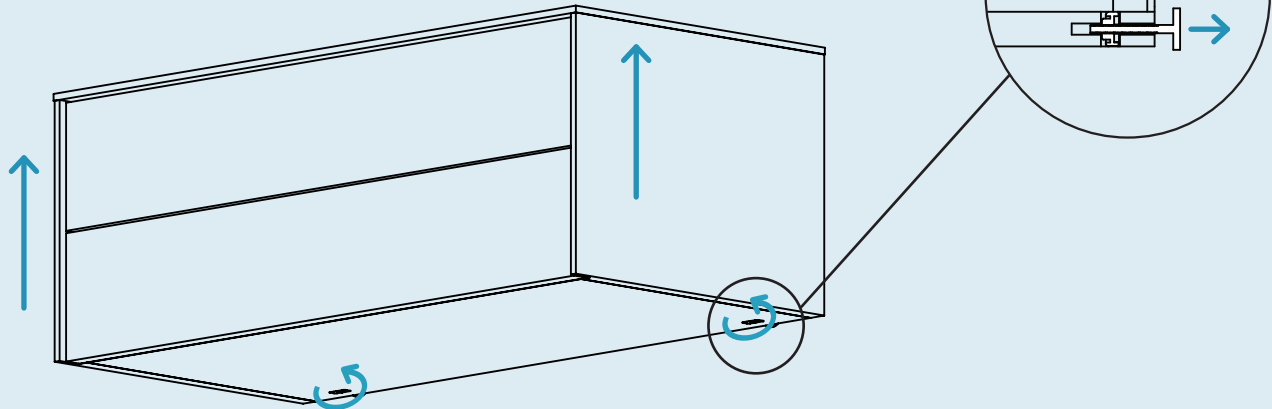
Place case against the wall about the wall cleat. Carefully slide case down along the wall until it engages with the wall cleat as shown.



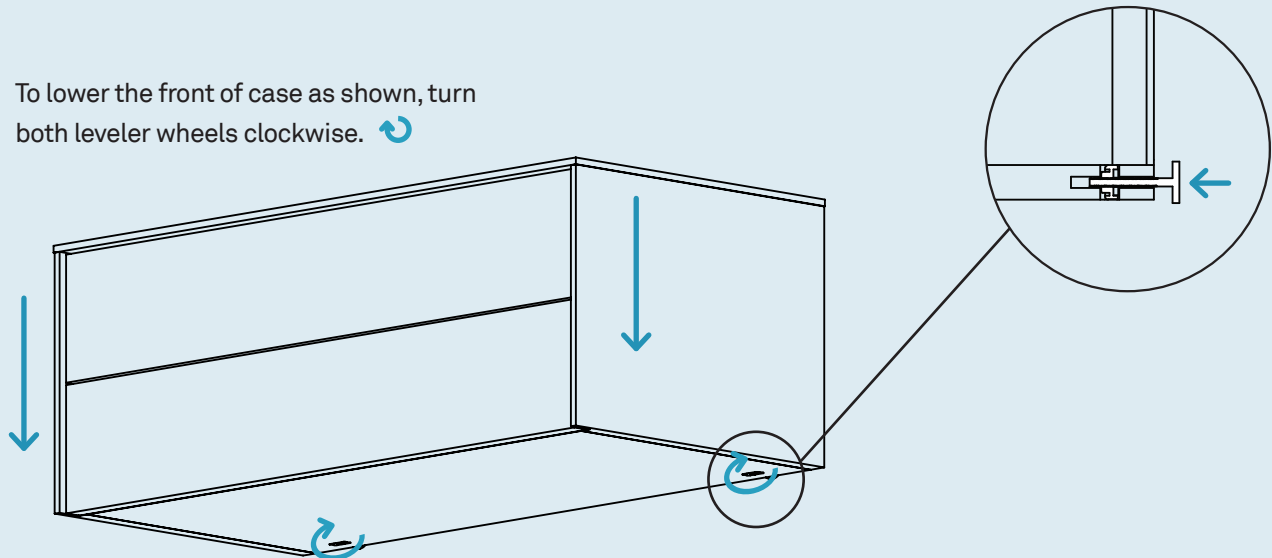
Step 03

INITIAL ADJUSTMENT.

To lift the front of case as shown, turn both leveler wheels counterclockwise. ↺



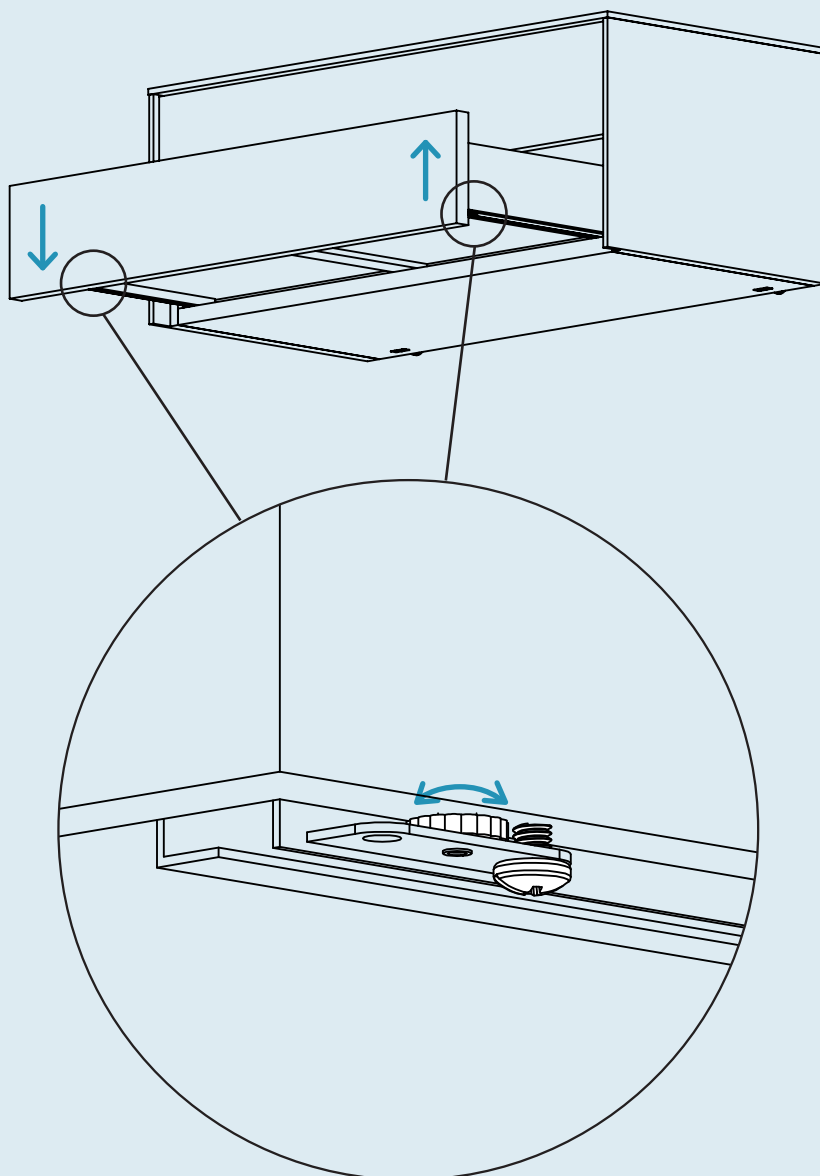
To lower the front of case as shown, turn both leveler wheels clockwise. ↻



Step 04

LEVELING THE DRAWERS.

The height of the drawers can be adjusted on each side for leveling purposes.



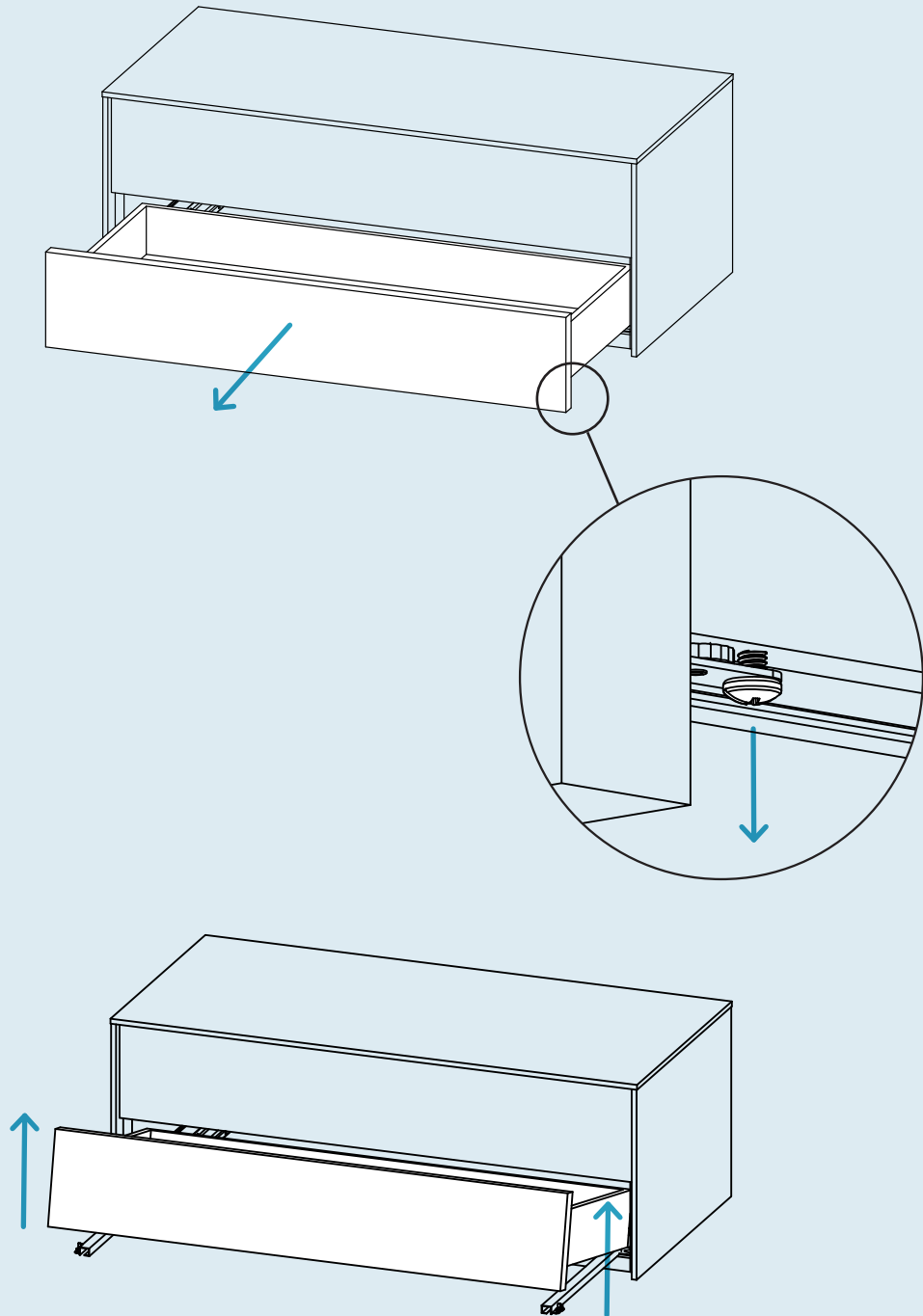
To lower the drawer as shown, turn the dial counterclockwise to lower the dial height. Phillips screw may need to be tightened.

To raise the drawer as shown, turn the dial clockwise to raise the dial height. Phillips screw may need to be loosened.

Step 05

REMOVING THE DRAWERS.

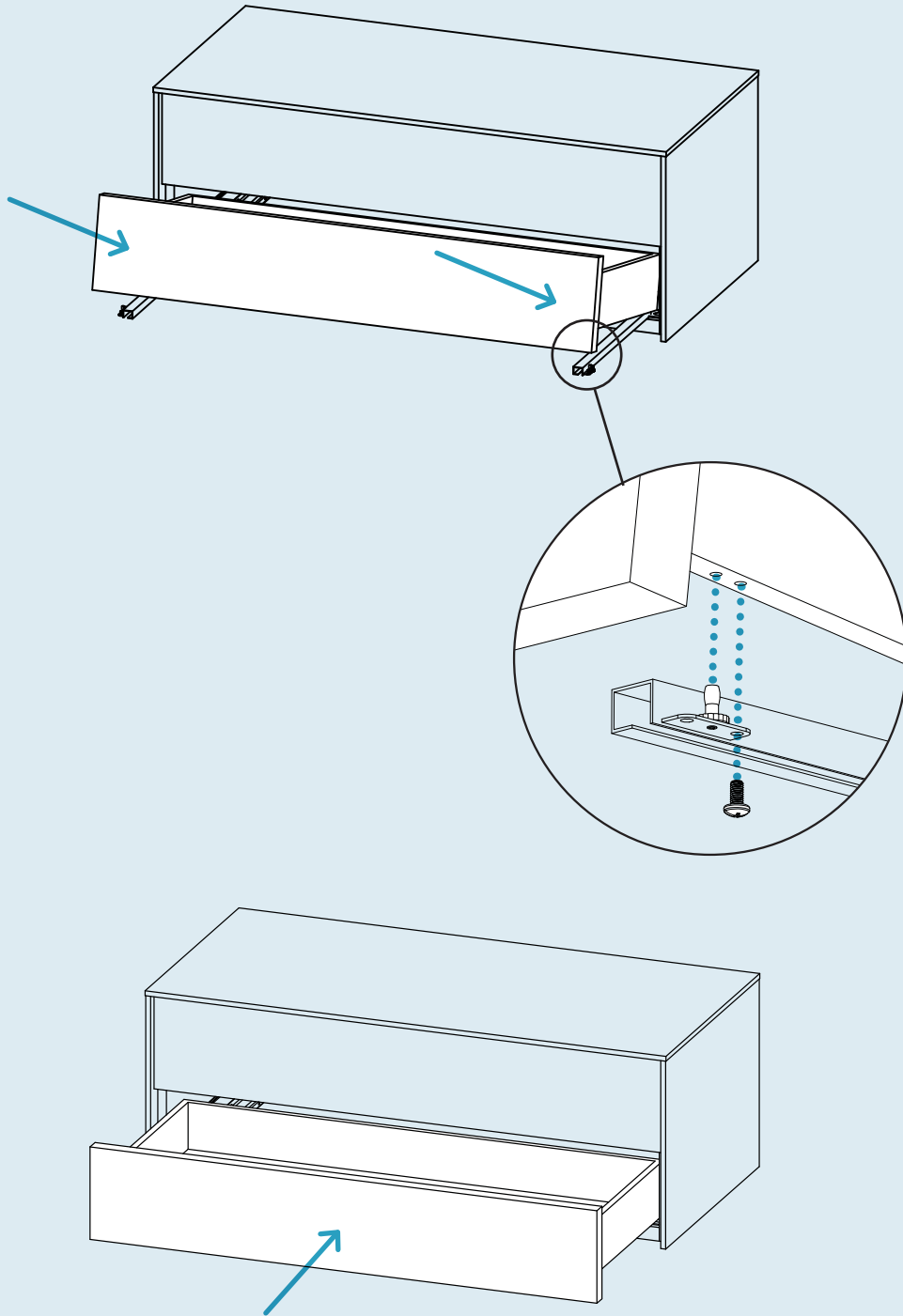
Extend the drawer completely. Remove Phillips screws and lift the drawer upwards to remove.



Step 06

REINSTALLING THE DRAWERS.

Pull both sides forward. Engage rear slide catches.
Lower drawer front into place and install Phillips screws.



Additional Information

CLEAN

Clean with a slightly damp, soft cloth. To remove dirt and fingerprints, use a quality cleaner formulate for wood furniture. Wipe completely dry with a soft cloth in the direction of the wood grain.

