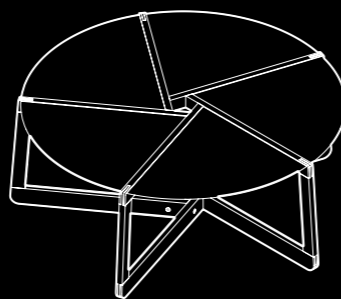


BLU  
DOT

# PI

COFFEE TABLE  
ASSEMBLY NOTES

DEEEEEE-  
LICIOUS!



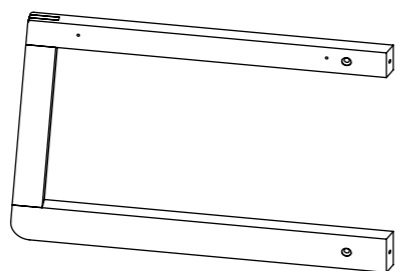
## CARE

Clean powder-coated top with a soft cloth or sponge using a mild detergent, such as dish soap, and warm water. Wipe completely dry with a soft cloth.

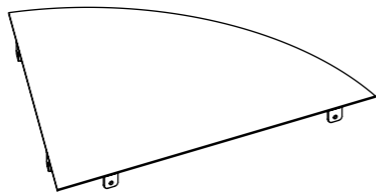
Clean wood base with a slightly damp, soft cloth. To remove dirt and finger-prints, use a quality cleaner formulated for wood furniture. Wipe completely dry with a soft cloth in the direction of the wood grain.

## PARTS

x5

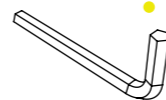


x5

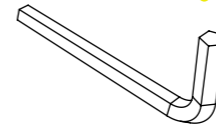


## HARDWARE

x1  
9003



x1  
9004



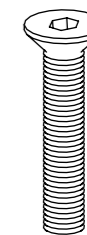
x20  
3002



x20  
1042

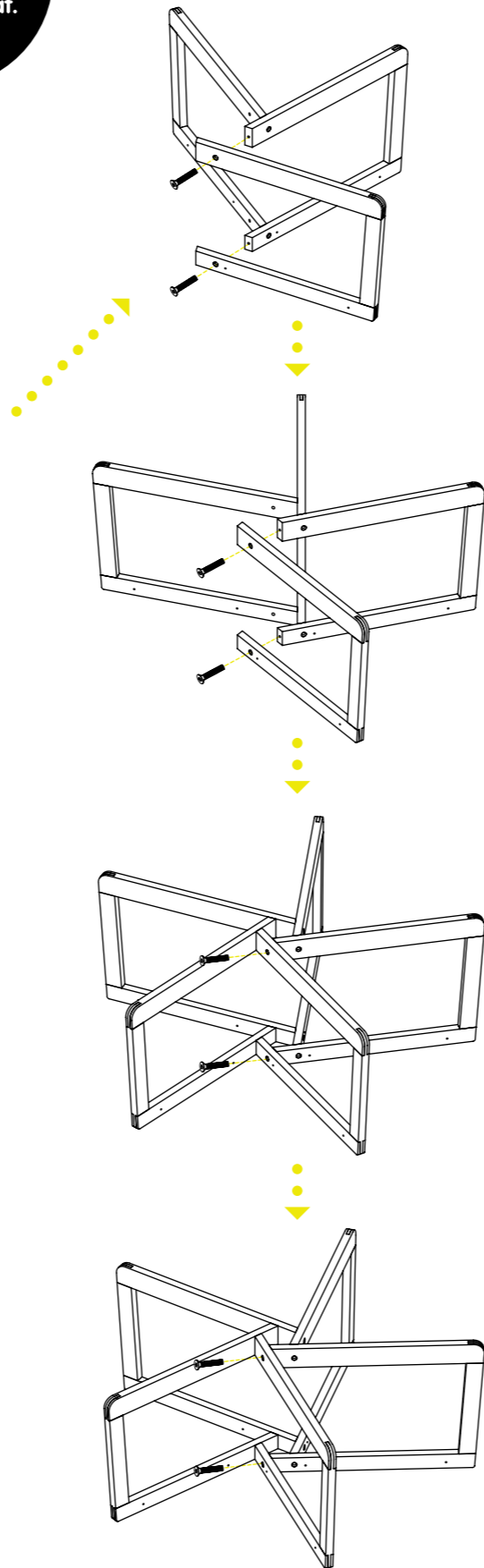
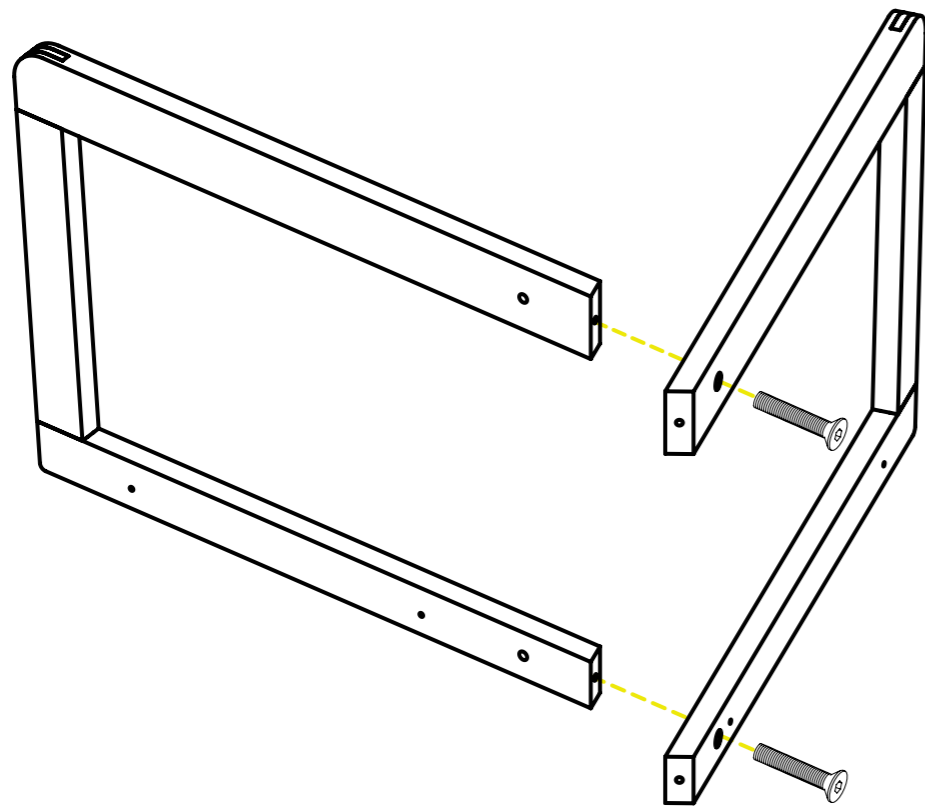
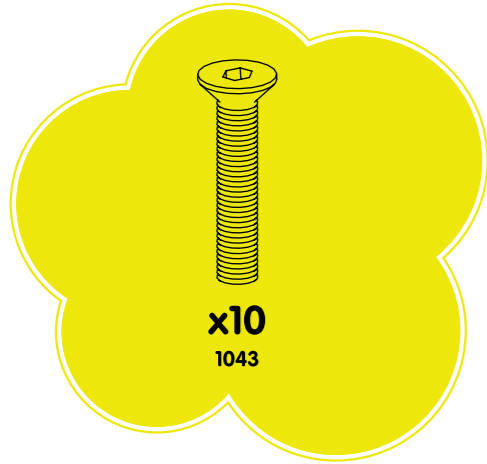


x10  
1043

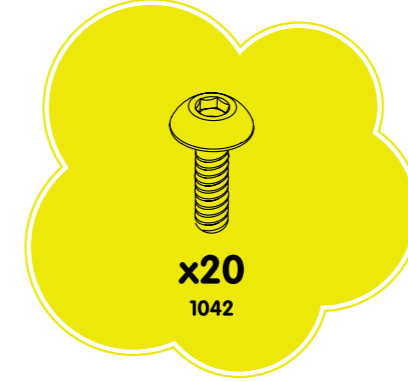


1

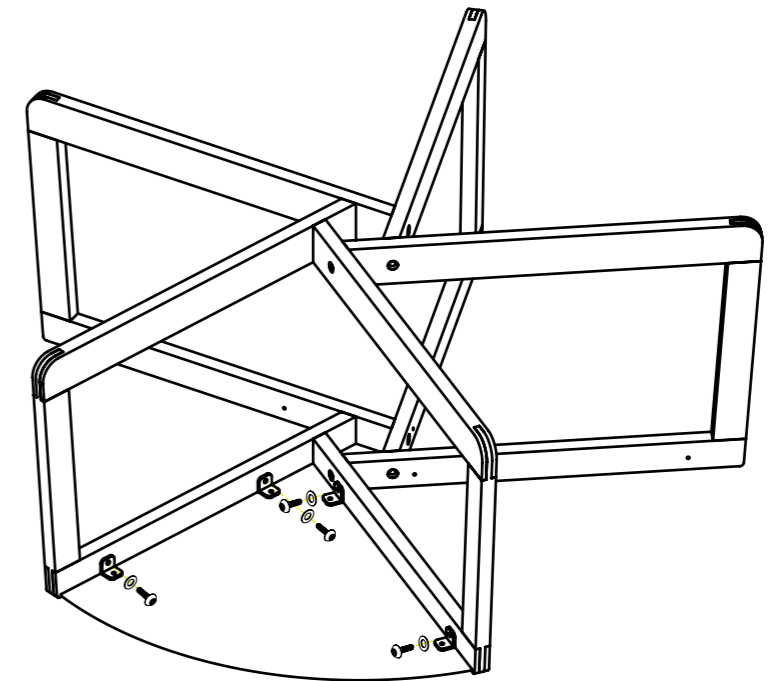
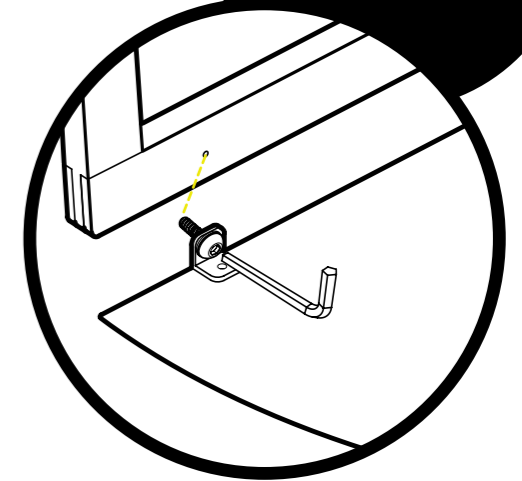
Assemble on carpet or protective mat.



2



Slide the bolt through the top panel. Then use the bolt to locate the threaded insert.



Repeat for all 5 panels, then flip the table rightside up.